



# Fitting Instructions Grandee Standard Wall Mounted

## Section 6.

### Fitting Instructions

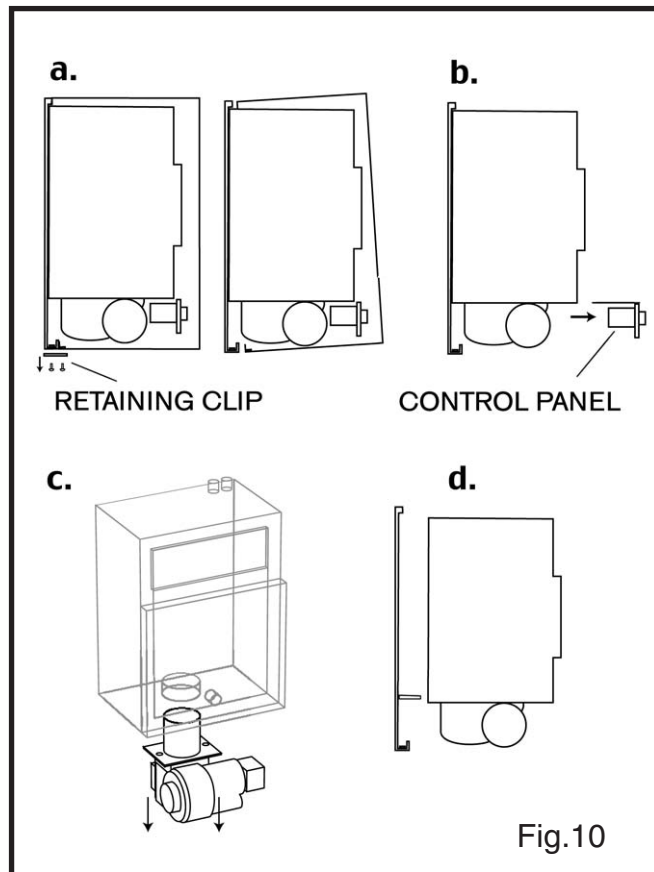
- 6.1 Grandee Standard Wall Boilers  
-Balanced Flue
- 6.2 Grandee Standard Wall Boilers  
-Conventional Flue
- 6.3 Grandee Standard Floor Boilers  
-Balanced Flue
- 6.4 Grandee Standard Floor Boilers  
-Conventional Flue

## 6.1 Grandee Standard Wall Boilers Balanced Flue

### Step 1:

Dismantle boiler: See figure 10.

- a). Remove case by undoing retaining clip, lift upwards slightly and pull forward.
- b). Remove control panel - slide fit and thermostat.
- c). Remove burner. (optional)
- d). Remove heat exchanger from back plate by releasing top fastenings and lifting clear.



### Step 2:

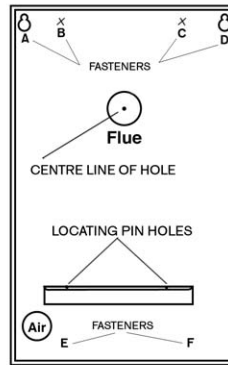
Fix backplate to chosen position using secure fasteners suitable for adequate support utilising fixing points on backplate. When fixed, drill flue and air inlet holes.

Suggest 2.5" (6.3mm) for Grandee 1S and 2S - actual size 2" (5mm).

Suggest 3" (7.6mm) for Grandee 3S - actual size 2.5"(6.3mm).

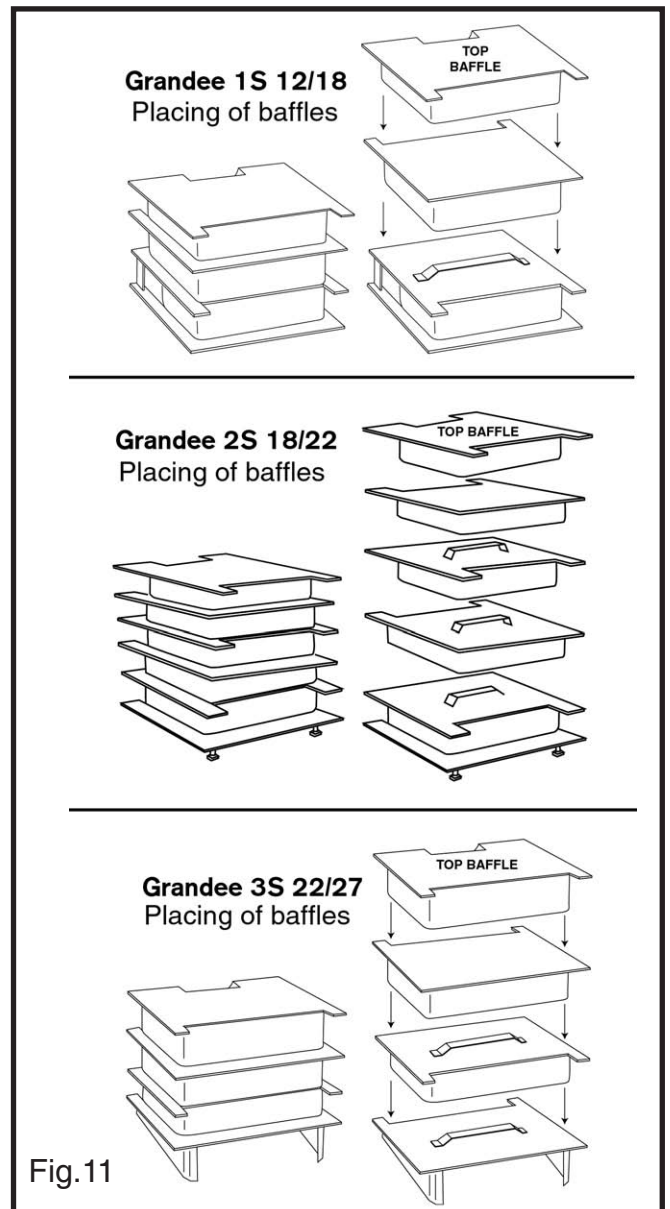
### Alternatively:

You may use the backplate as a template, mark the flue and air intake holes and drill before fixing the backplate.



### Step 3:

Remove inspection door and top baffle only taking careful note of its proper position and direction.

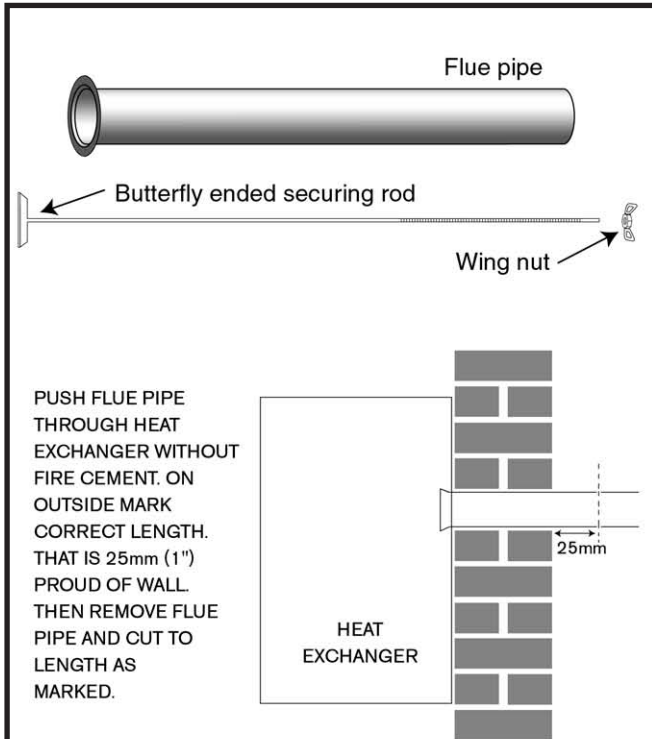




# Fitting Instructions Grandee Standard Wall Mounted

Step 4:

Fit flue as illustrated in figures 12 and 13.



NOW PUSH FLUE PIPE TOGETHER WITH 'BUTTERFLY' ENDED ROD THROUGH HEAT EXCHANGER AND WALL AS SHOWN BELOW APPLYING FIRE CEMENT TO FLUE PIPE LIP. PULL FIRMLY FROM OUTSIDE.

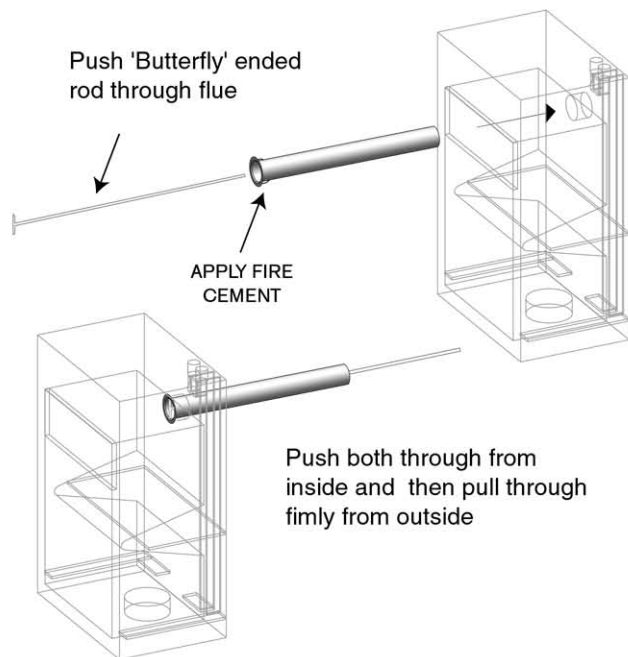


Fig.12

MAKE GOOD THE CAVITY BETWEEN THE FLUE PIPE AND THE HOLE

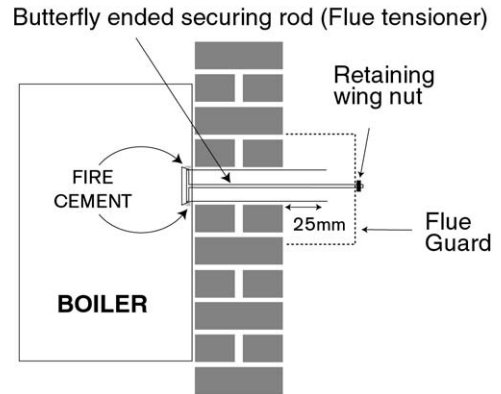
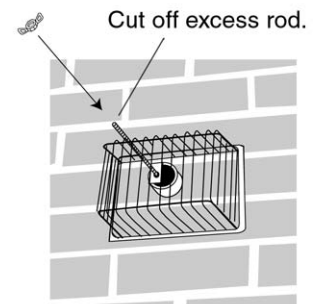


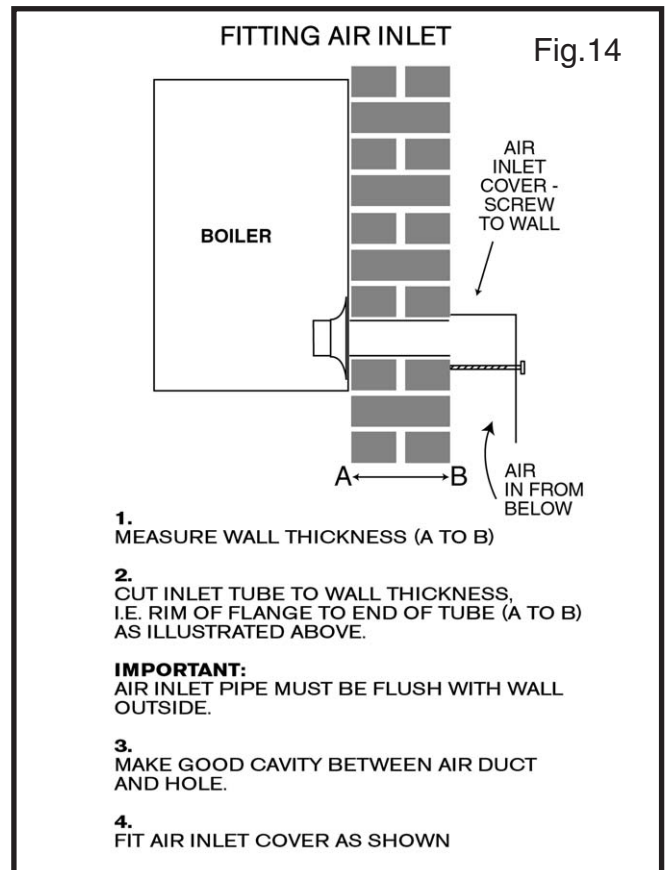
Fig.13

TOOL FREE METHOD SECURES FLUE AND CLAMPS FLUE GUARD IN ONE SIMPLE ACTION.



Step 5:

Fit air inlet as illustrated in figure 14.





# Fitting Instructions Grandee Standard Wall Mounted

**Step 6:**

Replace top baffle and inspection door

**Step 7:**

Refit burner and control panel. Do not overtighten burner flange nuts which could risk bending or damaging flange.

**Step 8:**

Couple air inlet pipe to burner using flexi-duct supplied. See Fig. 15

**Step 11:**

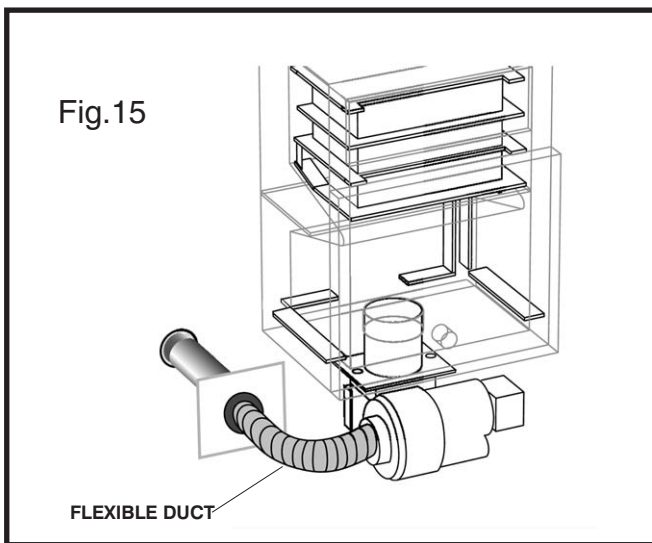
Connect primary flow and return pipes. **IMPORTANT:** looking at boiler from front **return** tapping is right hand, flow is left hand.

**Step 12:**

The boiler is now ready for commissioning.

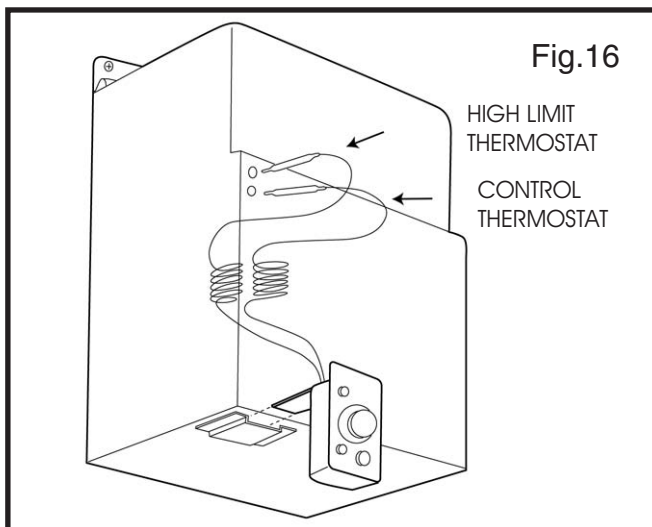
**Step 13:**

After commissioning, replace casing.



**Step 9:**

Check that thermostat phials are replaced in appropriate pockets, i.e. High limit phial above thermostat phial. Figure 16.



**Step 10:**

Connect mains electric, oil line etc. Cut-outs and slots are provided in backplate.

## 6.2 Grandee Standard Wall Boilers Conventional Flue

**Step 1:**

Use suitable flue pipe and ensure complete seal either with-in or outside the flue spigot. See Fig. 17

**Step 2:**

Using a sharp knife carefully cut the insulation on the inside of the casing around the louvres to enable the passage of air for combustion which, in turn, will flood through the louvred air inlet. See Fig. 17

**Step 3:**

Check that free air is available in the room and fit and air brick if necessary. SEE VENTILATION, SECTION 4.6.

