



Fitting Instructions Grandee System Wall Mounted

Section 8. Fitting Instructions

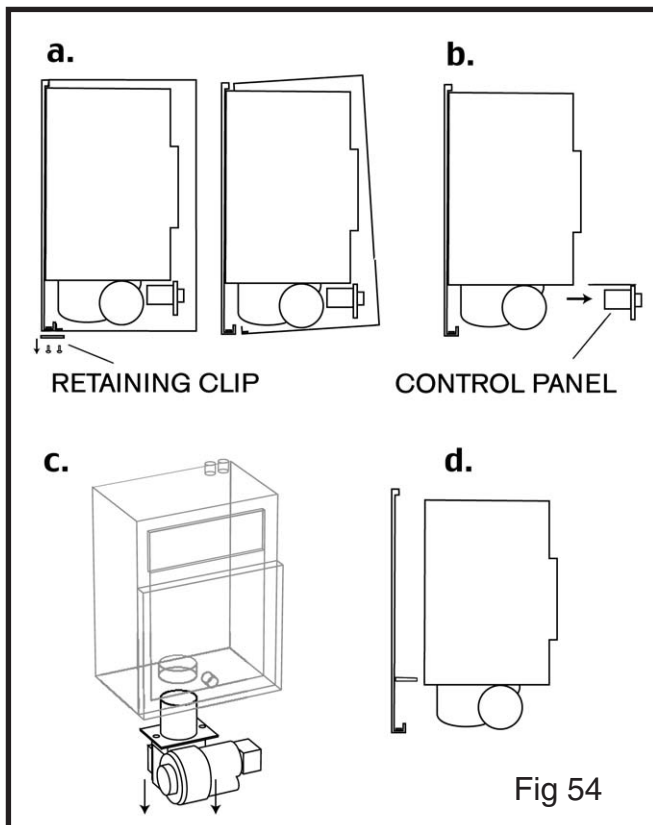
- 8.1 Grandee System Wall Boilers -Balanced Flue
- 8.2 Grandee System Wall Boilers -Conventional Flue
- 8.3 Grandee System Floor Boilers -Balanced Flue
- 8.4 Grandee System Floor Boilers -Conventional Flue

8.1 Grandee System Wall Boilers Balanced Flue

Step 1:

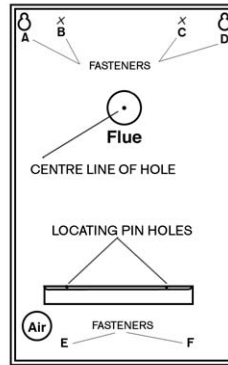
Dismantle boiler: See Fig 54.

- a). Remove case by undoing retaining clip, lift upwards slightly and pull forward.
- b). Remove control panel - slide fit and thermostat.
- c). Remove burner. (optional)
- d). Remove heat exchanger from back plate by releasing top fastenings and lifting clear.



Step 2:

Fix backplate to chosen position using secure fasteners suitable for adequate support utilising fixing points on backplate. When fixed, drill flue and air inlet holes. Suggest 2.5" (6.3mm) for Grandee 1S and 2S - actual size 2" (5mm).



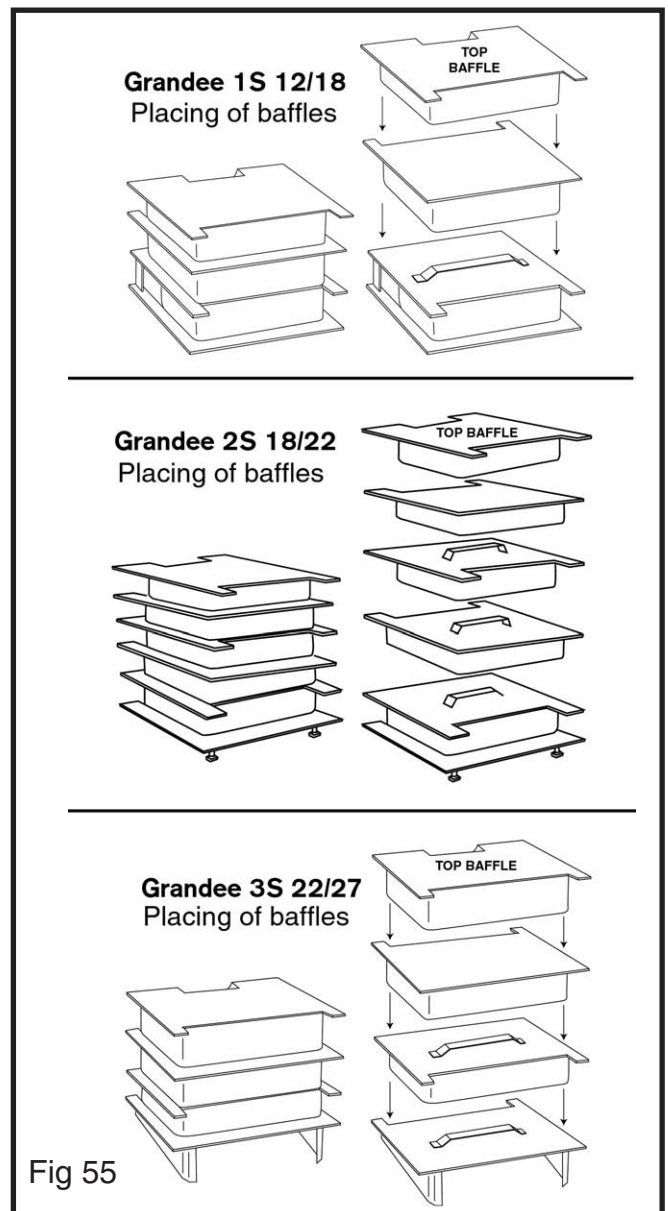
Suggest 3" (7.6mm) for Grandee 3S - actual size 2.5" (6.3mm).

Alternatively:

You may use the backplate as a template, mark the flue and air intake holes and drill before fixing the backplate.

Step 3:

Remove inspection door and top baffle only taking careful note of its proper position and direction. See Fig 55.

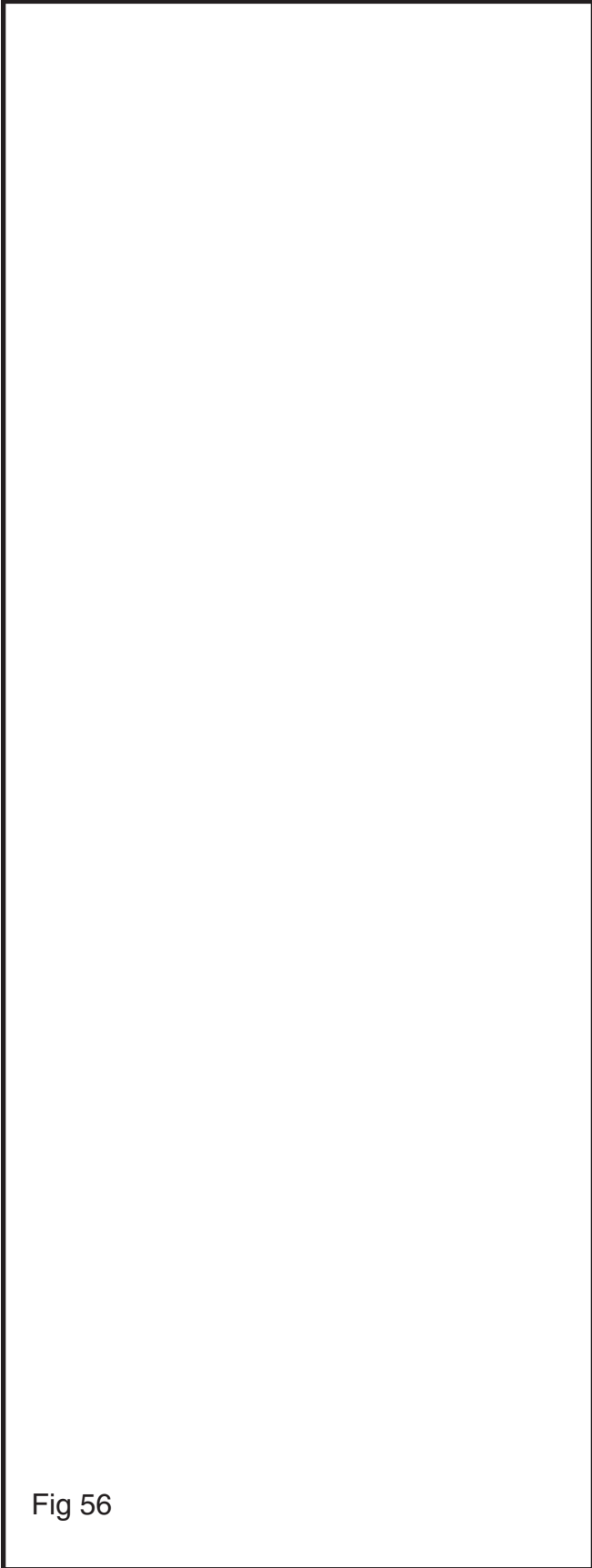




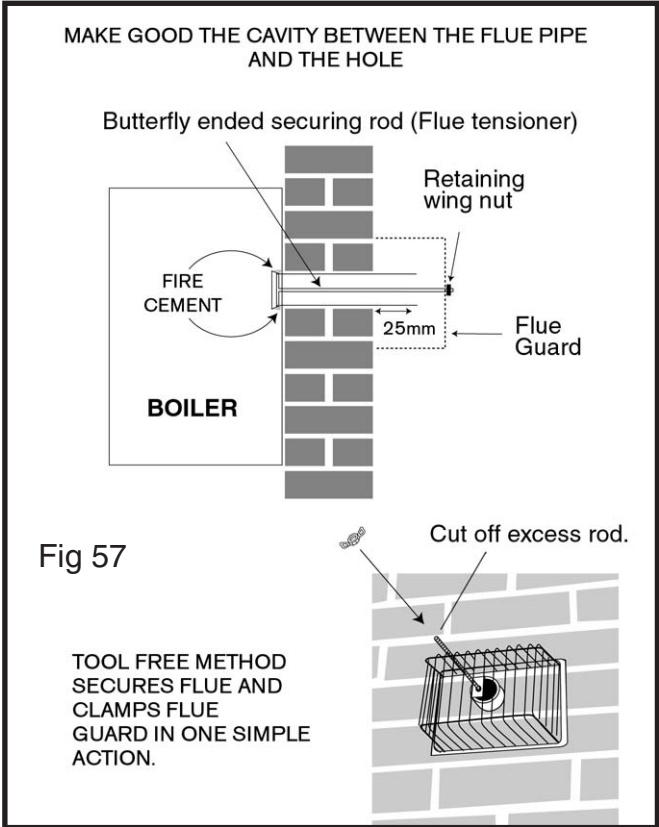
Fitting Instructions Grandee System Wall Mounted

Step 4:

Fit flue as illustrated in figures 56 and 57.



S
Y
S
T
E
M



Step 5:

Fit air inlet as illustrated in Fig 58.

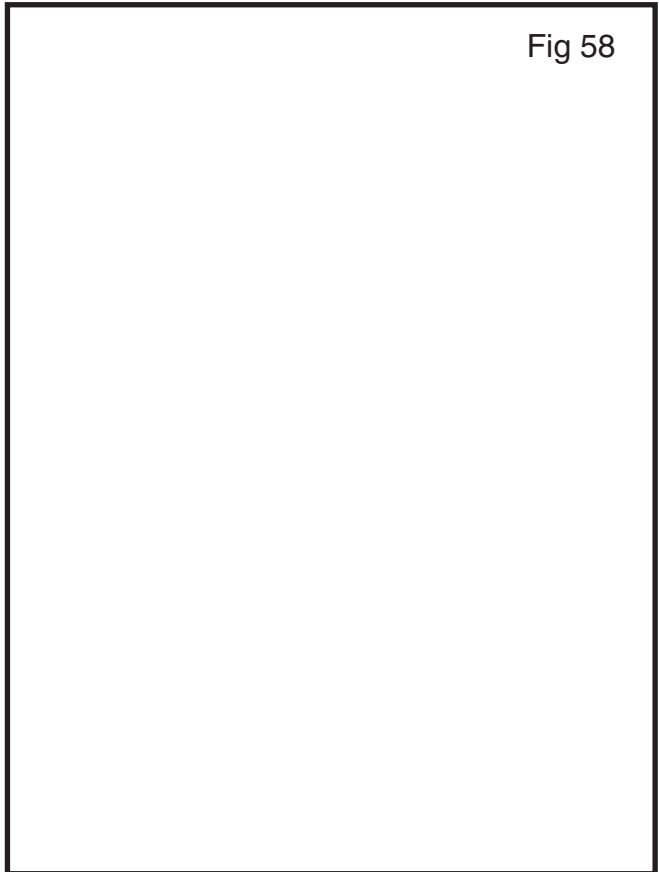


Fig 58



Fitting Instructions Grandee System Wall Mounted

Step 6:

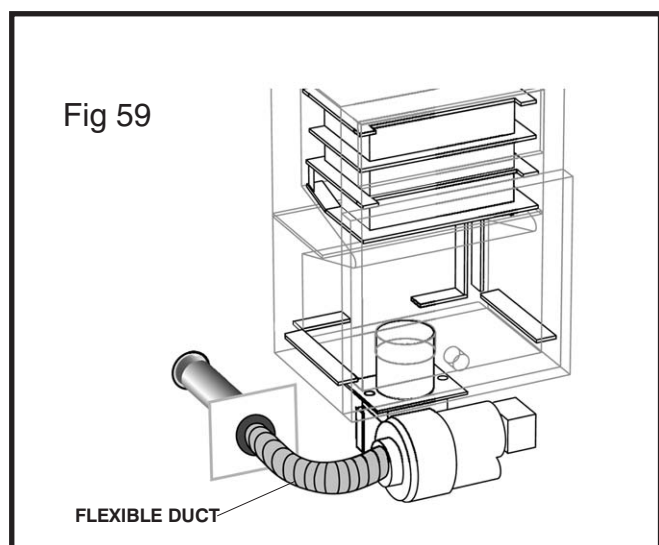
Replace top baffle and inspection door

Step 7:

Refit burner and control panel. Do not overtighten burner flange nuts which could risk bending or damaging flange.

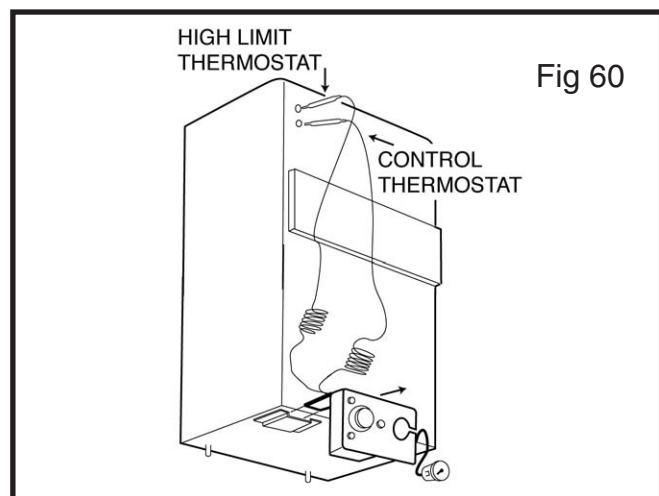
Step 8:

Couple air inlet pipe to burner using flexi-duct supplied. See Fig 59.



Step 9:

Check that thermostat phials are replaced in appropriate pockets, i.e. High limit phial above thermostat phial. Fig 60.



Step 10:

Connect mains electric, oil line etc. Cut-outs and slots are provided in backplate.

Step 11:

Connect primary flow and return pipes. IMPORTANT: looking at boiler from front return tapping is right hand, flow is left hand.

Step 12:

The boiler is now ready for commissioning.

Step 13:

After commissioning, replace casing.

8.2 Grandee System Wall Boilers Conventional Flue

Step 1:

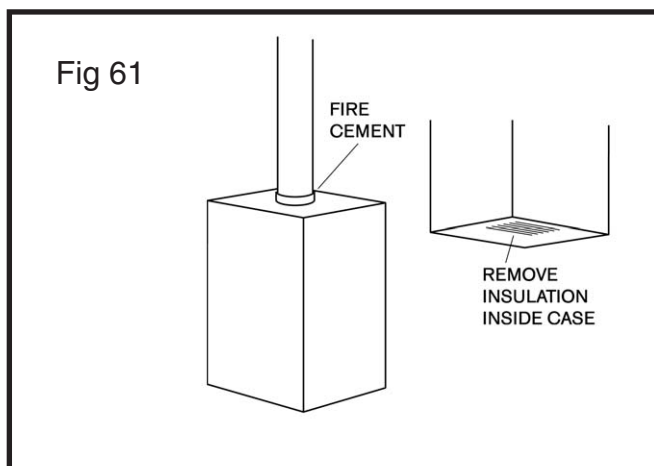
Use suitable flue pipe and ensure complete seal either with-in or outside the flue spigot. See Fig 61.

Step 2:

Using a sharp knife carefully cut the insulation on the inside of the casing around the louvres to enable the passage of air for combustion which in time, will flood into the louvred air inlet. See Fig 61.

Step 3:

Check that free air is available in the room and fit and air brick if necessary. SEE VENTILATION, SECTION 4.6.



S
Y
S
T
E
M