



# Fitting Instructions Grandee External Wall Mounted

## Section 9. Fitting Instructions

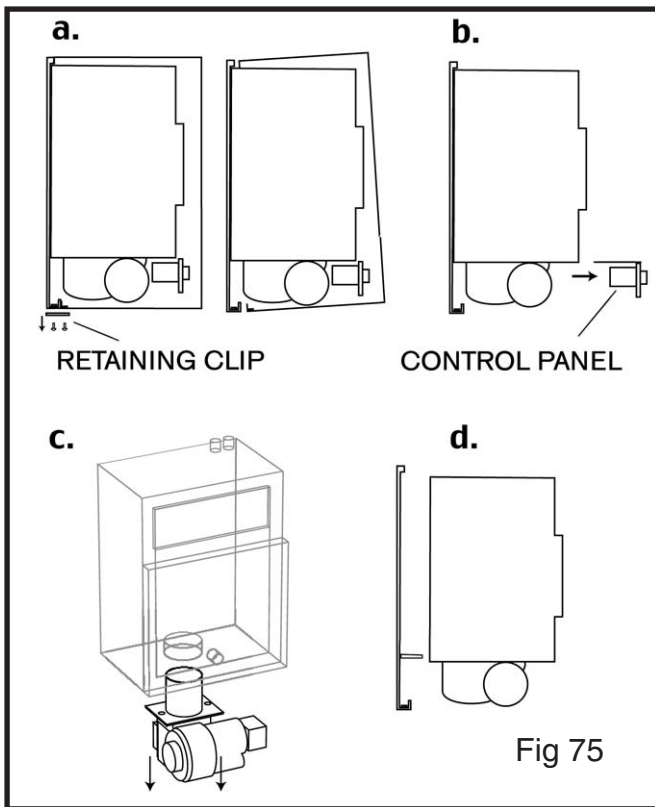
### 9.1 Grandee External Wall Boilers -Balanced Flue

## 9.1 Grandee External Wall Boilers Balanced Flue

#### Step 1:

Dismantle boiler: See Fig 75.

- a). Remove case by undoing retaining clip, lift upwards slightly and pull forward.
- b). Remove control panel - slide fit and thermostat.
- c). Remove burner. (optional)
- d). Remove heat exchanger from back plate by releasing top fastenings and lifting clear.

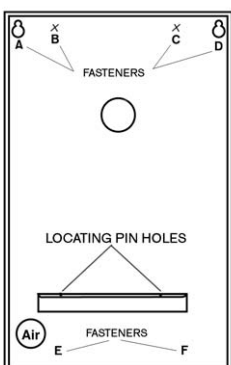


#### Step 2:

Fix backplate to chosen position using secure fasteners suitable for adequate support utilising fixing points on backplate.

#### Step 3:

Remove inspection door and top baffle only taking careful note of its proper position and direction.



#### Step 3:

Replace heat-exchanger, refit burner and control panel.

#### Step 4:

Fix the flue using gasket provided and/or fire cement to make a good seal. See Fig 76.

#### Step 5:

Arrange pipework, oil feed and electrics. The right hand socket is primary return, the left hand socket is the primary flow.

TAKE NOTE: that an additional electric 'line' supply is required to operate the built in frost thermostat.

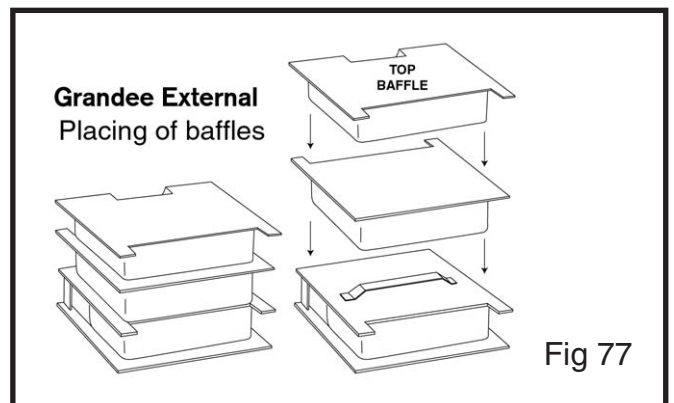
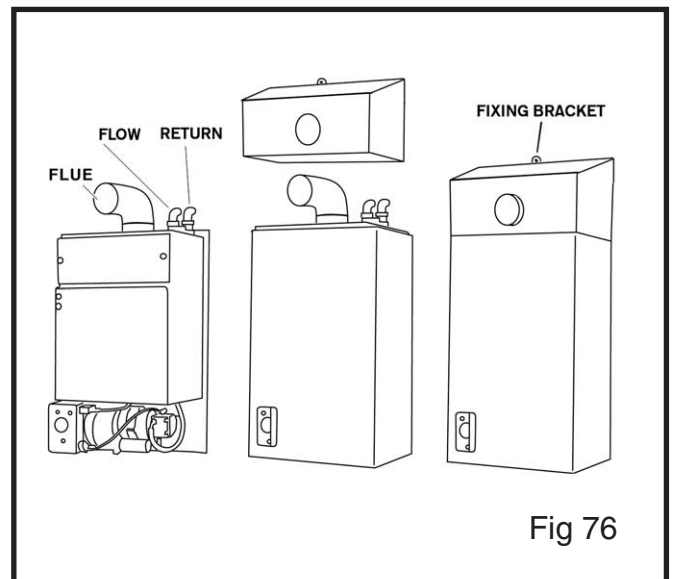
#### Step 6:

After commissioning replace casing. See Fig 76.

#### Step 7:

Slide the top canopy over the flue pipe and shove up flush against the wall.

Screw up firm with a fixing screw through fixing bracket making sure to compress the foam strip. Take additional precautions to prevent the ingress of water where uneven or stucco walls occur.



EXTERNAL