

# WALL HUNG FABRICATED BOILER

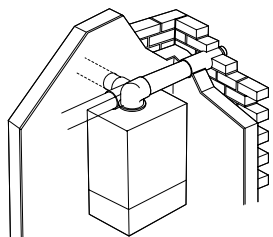
## ECONOMY PLUS



### ECONOMY PLUS 30FF - 80FF

#### HORIZONTAL FLUE OPTIONS

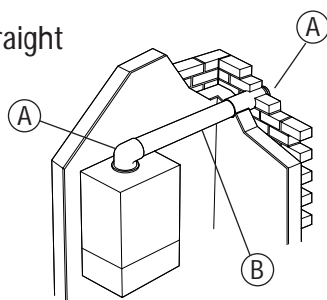
##### Standard Horizontal Flue



MODEL	MAX LENGTH OF STANDARD PACK	DESCRIPTION OF PARTS REQUIRED	PART NUMBER
ALL	510mm	Standard Flue Pack (Complete with Flue / Air Duct)	448907

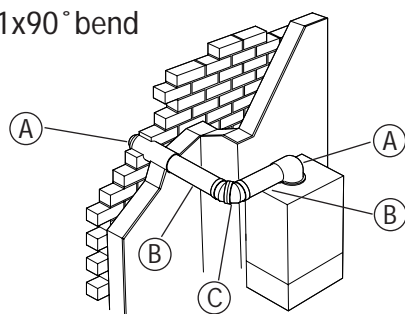
##### Extended Horizontal Flue

###### Straight



MODEL	MAX FLUE LENGTH (m)	DESCRIPTION OF PARTS REQUIRED	PART NUMBER
30FF	3m	(A) Elbow / Terminal Pack	448478
40FF	3m	(B) 1m Flue / Air Duct Kit or	448490
50FF	3m	(B) 2m Flue / Air Duct Kit or	448491
60FF	3m	(B) 3m Flue / Air Duct Kit	448485
80FF	3m		

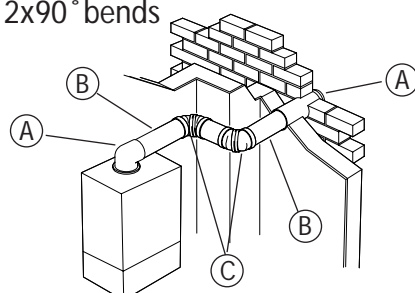
##### 1x90° bend



30FF	3m	(A) Elbow / Terminal Pack	448478
40FF	3m	(B) 1m Flue / Air Duct Kit or	448490
50FF	1.3m	(B) 2m Flue / Air Duct Kit or	448491
60FF	3m	(B) 3m Flue / Air Duct Kit	448485
80FF	1.6m	(C) Flue Bend Kit (1 Required)	438130

NOTE: Max. Flue Length does not include Flue Bend.

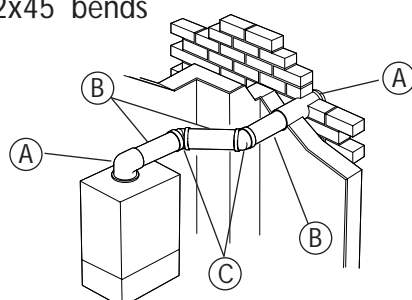
##### 2x90° bends



30FF	3m	(A) Elbow / Terminal Pack	448478
40FF	1m	(B) 1m Flue / Air Duct Kit or	448490
50FF	0.6m	(B) 2m Flue / Air Duct Kit or	448491
60FF	3m	(B) 3m Flue / Air Duct Kit	448485
		(C) Flue Bend Kit (2 Required)	438130

NOTE: Max. Flue Length does not include Flue Bends.

##### 2x45° bends



30FF	3m	(A) Elbow / Terminal Pack	448478
40FF	1.9m	(B) 1m Flue / Air Duct Kit or	448490
50FF	0.6m	(B) 2m Flue / Air Duct Kit or	448491
60FF	3m	(B) 3m Flue / Air Duct Kit	448485
80FF	1.6m	(C) Flue Bend Kit (1 Required)	438130

NOTE: Max. Flue Length does not include Flue Bends.

# WALL HUNG FABRICATED BOILER

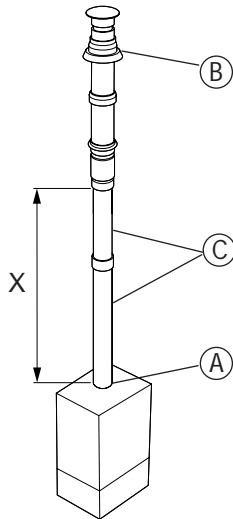
## ECONOMY PLUS



ECONOMY PLUS 30FF - 80FF

### VERTICAL FLUE OPTIONS

Straight

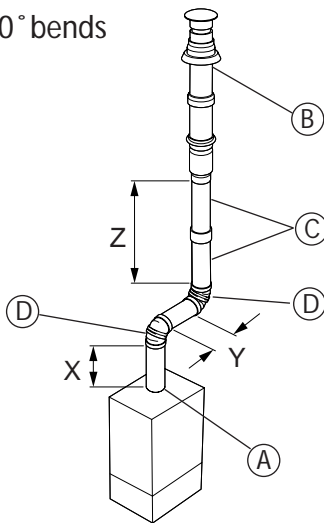


MODEL	MAX FLUE LENGTH (m) X	DESCRIPTION OF PARTS REQUIRED	PART NUMBER
-------	--------------------------	-------------------------------	-------------

30F	3m	(A) Vertical Flue Kit	448452
40F	3m	(B) Vertical Flue Terminal	448494
50F	3m	(C) 1m Flue / Air Duct or	448490
60F	3m	(C) 2m Flue / Air Duct or	448491
70F	3m	(C) 3m Flue / Air Duct	448485
80F	3m		

NOTE: Max. Flue Length does not include Terminal.  
X(Min.) = 39mm

2x90° bends

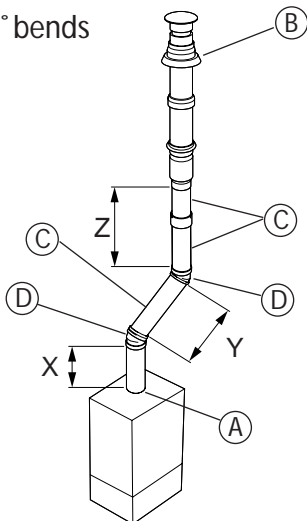


MODEL	MAX FLUE LENGTH (m) X+Y+Z	DESCRIPTION OF PARTS REQUIRED	PART NUMBER
-------	------------------------------	-------------------------------	-------------

30F	3m	(A) Vertical Flue Kit	448452
40F	3m	(B) Vertical Flue Terminal	448494
50F	3m	(C) 1m Flue / Air Duct or	448490
60F	3m	(C) 2m Flue / Air Duct or	448491
70F	3m	(C) 3m Flue / Air Duct	448485
80F	3m	(D) Flue Bend Kit (2 Required)	438130

NOTE: Max. Flue Length does not include Terminal, Flue Bends.  
X(Min.) = 39mm  
Y(Max.) = 1000mm, Y(Min.) = 0mm  
Z(Min.) = 0mm

2x45° bends



MODEL	MAX FLUE LENGTH (m) X+Y+Z	DESCRIPTION OF PARTS REQUIRED	PART NUMBER
-------	------------------------------	-------------------------------	-------------

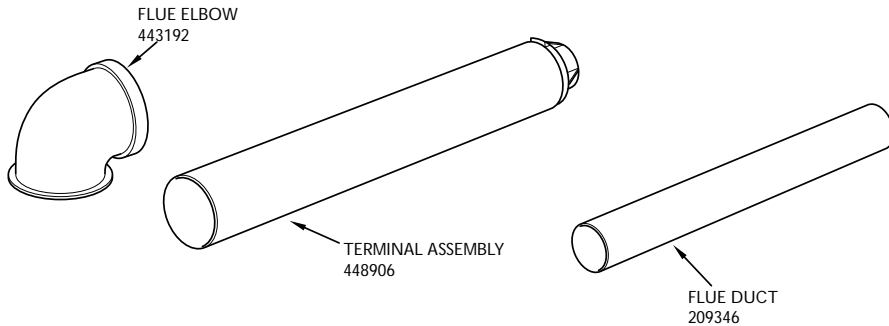
30F	3m	(A) Vertical Flue Kit	448452
40F	3m	(B) Vertical Flue Terminal	448494
50F	3m	(C) 1m Flue / Air Duct or	448490
60F	3m	(C) 2m Flue / Air Duct or	448491
70F	3m	(C) 3m Flue / Air Duct	448485
80F	3m	(D) Flue Bend Kit (1 Required)	438130

NOTE: Max. Flue Length does not include Terminal or Flue Bends.  
X(Min.) = 39mm  
Y(Min.) = 0mm  
Z(Min.) = 0mm

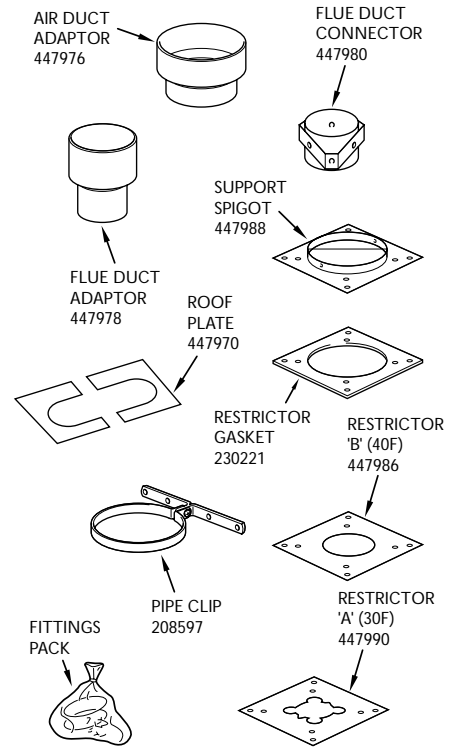
# FLUE OPTIONS

## ECONOMY PLUS 30FF - 80FF

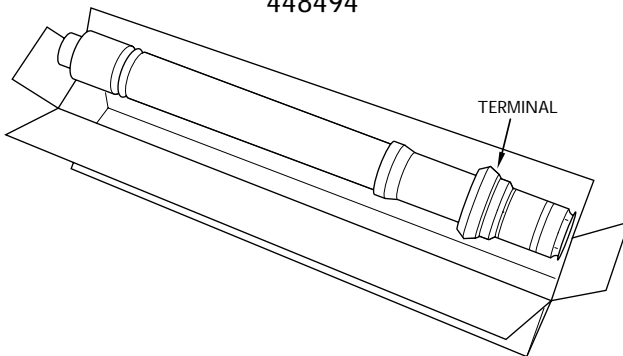
### STANDARD FLUE PACK 448907



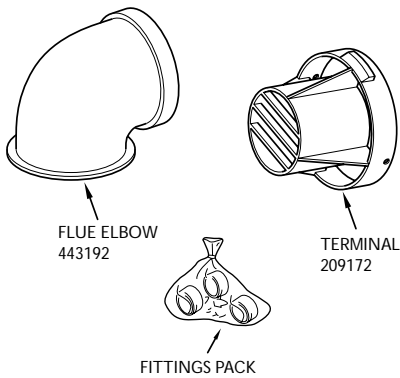
### VERTICAL FLUE KIT 448452



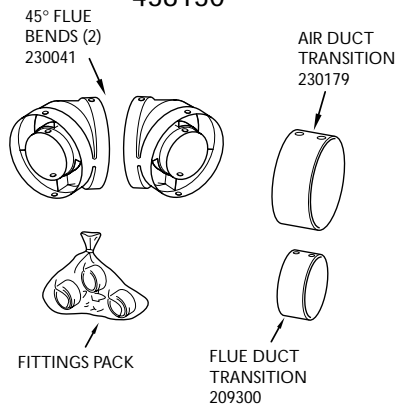
### VERTICAL FLUE TERMINAL 448494



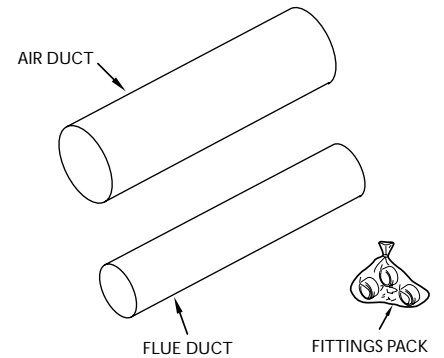
### ELBOW/TERMINAL KIT 448478



### FLUE BEND KIT 438130

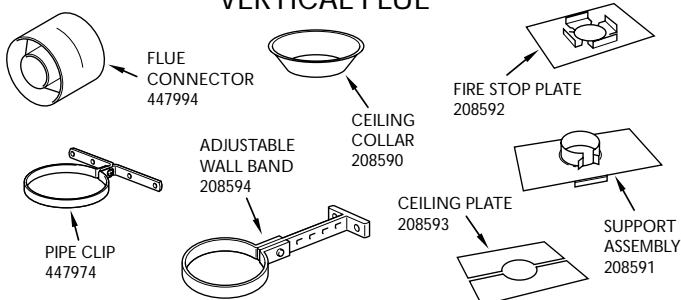


### 1m EXTENSION KIT 448490 2m EXTENSION KIT 448491 3m EXTENSION KIT 448485



## ACCESSORIES

### VERTICAL FLUE



### WEATHER COLLARS

#### STANDARD VERTICAL FLUE FLAT ROOF

- Part Number 208596\*

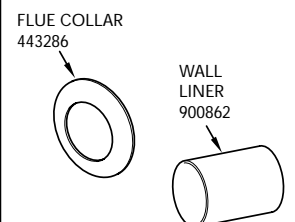
#### PITCHED ROOF

-FOR TILES Part Number 447991\*

-FOR SLATE Part Number 208595\*

\*Note: With appropriate storm collars

### HORIZONTAL FLUE



## ACCESSORIES

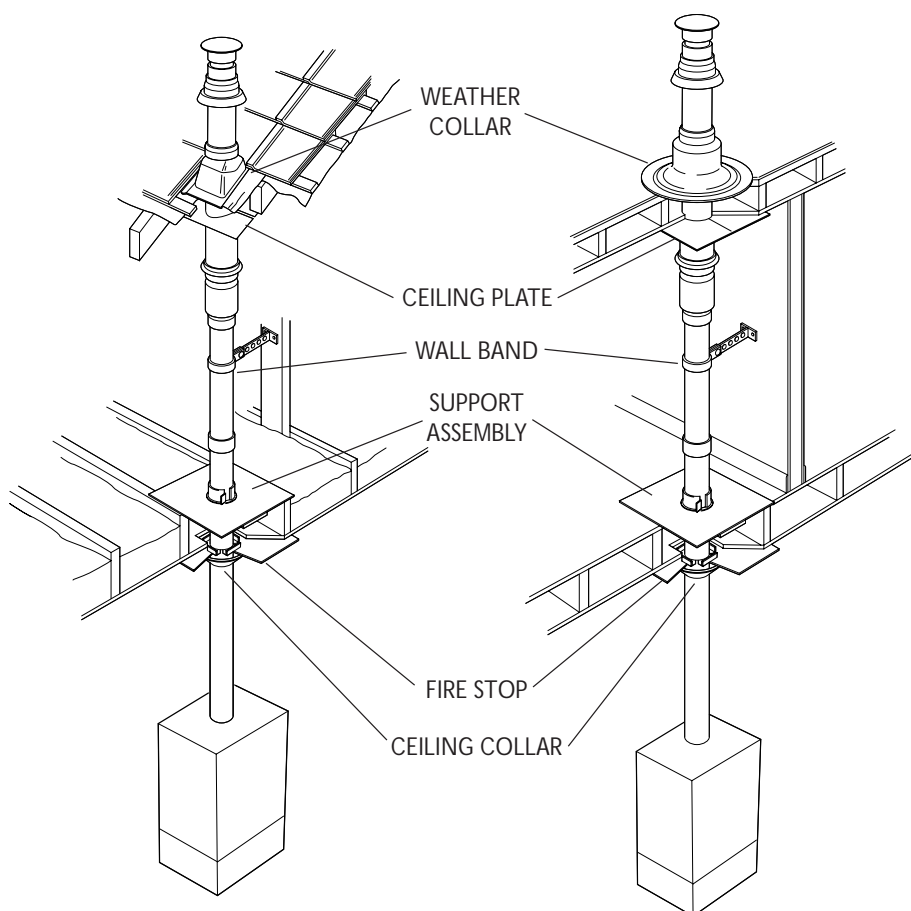
# ECONOMY PLUS

ECONOMY PLUS 30FF - 80FF



### VERTICAL FLUE ACCESSORIES

#### TYPICAL ARRANGEMENT



#### FIRESTOP PLATE - 208592

Manufactured from galvanised steel and fitted with spacer lugs which ensure that a distance of 50mm is maintained between the inner liner of the flue and any combustible material.

#### CEILING PLATE - 2PIECE - 208593

Manufactured from galvanised steel and should be used on the under side of the floor joists where the flue passes through the floor or roof in a non-vertical plane.

#### CEILING COLLAR - 208590

Used if required as a ceiling trim immediately below the ceiling to make a neat installation.

#### SUPPORT ASSEMBLY - 208591

Manufacture from galvanised steel and incorporates a fire stop feature fitted with spacer lugs and support collar. This item should be used to support the flue at the top of each floor joist and provide a fire stop feature.

## HEATCALL

*One Contact-Local Service*

Customer Services:

Telephone 01773 828100 Fax: 01773 828070



*The code of practice for the installation, commissioning & servicing of central heating systems*



Hepworth Heating Ltd  
A HEPWORTH PLC COMPANY

Nottingham Road, Belper, Derbyshire. DE56 1JT

General Sales Enquiries:

Telephone: 01773 824141 Fax: 01773 828123

The illustrations show our products as realistically as possible, however the limitations of photography and printing may result in goods varying slightly from the illustration.

Hepworth Heating Limited pursue a policy of continual improvement in design and performance of its products.

In pursuance of this policy we reserve the right to alter specification and designs.

The statutory rights of the consumer are not affected.