

WALL HUNG COMBI BOILER / SYSTEM BOILER

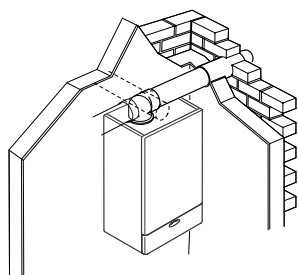
COMPACT



COMPACT 'e', 'p' & SYSTEM RANGES

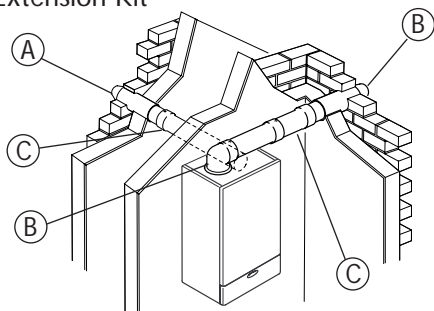
HORIZONTAL FLUE OPTIONS

Standard Rear Outlet, Standard Top Outlet and Extended Top Outlet



RANGE	MAX LENGTH OF FLUE PACKS	DESCRIPTION OF PARTS REQUIRED	PART NUMBER
'e' & System	510mm	Standard Rear Outlet Flue Pack	230482
'e', 'p' & System	570mm	Standard Top Outlet Flue Pack	230483
	840mm	Extended Top Outlet Flue Pack	230487

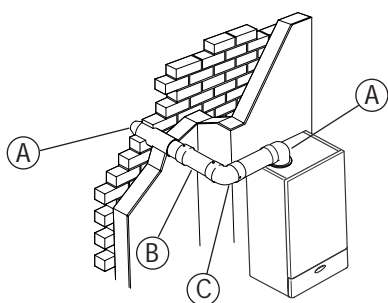
Standard Top Outlet, Extended Rear Outlet or Extended Top Outlet with Extension Kit



MODEL	MAX FLUE LENGTH (m)	DESCRIPTION OF PARTS REQUIRED	PART NUMBER
'e' & System 100	2.5m	(A) Standard Rear Outlet Flue Pack or	230482
System 60	3.5m		
'e' & System 100	2.5m	(B) Standard Top Outlet Flue Pack or (B) Extended Top Outlet Flue Pack	230483 230487
'p' & System 60	3.5m	(C) *1m Extension Kit (as required)	230484

* The Inline Adaptor 230488 can be used for installations where a flue length up to 100mm is required

1x90° bend

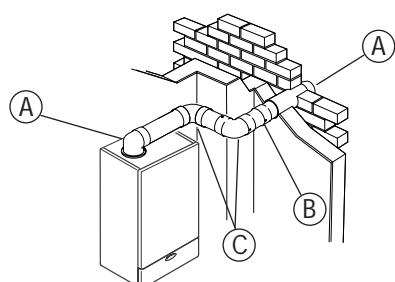


75e	2.5m	(A) Standard Top Outlet Flue Pack or	230483
80e	2.5m	(A) Extended Top Outlet Flue Pack	230487
100e	2.5m	(B) *1m Extension Kit (as required)	230484
75p	3m	(C) Flue bend Kit 90°	230486
80p	3m	Type 'C' Restrictor Kit for 75/80e	457113
100p	3m	Type 'D' Restrictor Kit for 100e	457114
System 60	to be advised		
System 100	to be advised		

NOTE: Max. flue length does not include flue elbow or bends.

* The Inline Adaptor 230488 can be used for installations where a flue length up to 100mm is required.

2x90° bends



75e	2.5m	(A) Standard Top Outlet Flue Pack or	230483
80e	2.5m	(A) Extended Top Outlet Flue Pack	230487
100e	1.5m	(B) *1m Extension Kit (as required)	230484
75p	2.5m	(C) Flue bend kit 90° (2 required)	230486
80p	2.5m	Type 'C' Restrictor Kit for 75/80e	457113
100p	2m	Type 'D' Restrictor Kit for 100e	457114
System 60	to be advised		
System 100	to be advised		

NOTE: Max. flue length does not include flue elbow or bends.

* The Inline Adaptor 230488 can be used for installations where a flue length up to 100mm is required.

Compact 'e' illustrated

WALL HUNG COMBI BOILER / SYSTEM BOILER

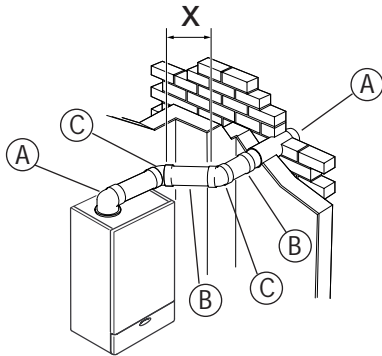
COMPACT



COMPACT 'e', 'p' & SYSTEM RANGES

Standard Top Outlet or Extended Top Outlet with Extension Kit continued

2x45° bends

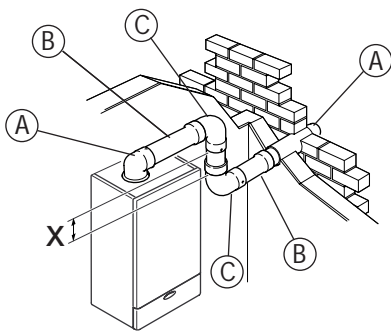


MODEL	MAX FLUE LENGTH (m)	X(MAX) (m)	DESCRIPTION OF PARTS REQUIRED	PART NUMBER
75e	2.5m	0.5m	(A) Standard Top Outlet Flue Pack or	230483
80e	2.5m	0.5m	(A) Extended Top Outlet Flue Pack	230487
100e	2m	0.5m	(B) *1m Extension Kit (as required)	230484
75p	3m	0.5m	(C) Flue bend kit 45° (2 required)	230485
80p	3m	0.5m	Type 'D' Restrictor Kit for 100e	457114
100p	3m	0.5m		
System 60	to be advised			
System 100	to be advised			

NOTE: Max. flue length does not include flue elbow or bends.

* The Inline Adaptor 230488 can be used for installations where a flue length up to 100mm is required.

2x90° bends

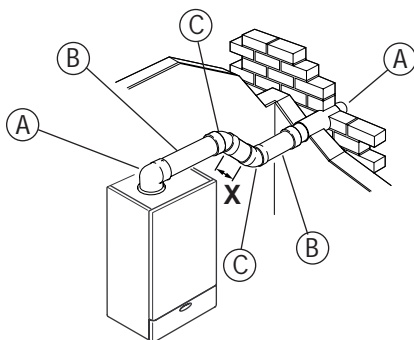


75e	2.5m	0.25m	(A) Standard Top Outlet Flue Pack or	230483
80e	2.5m	0.25m	(A) Extended Top Outlet Flue Pack	230487
100e	1m	0.25m	(B) *1m Extension Kit (as required)	230484
75p	2.5m	0.25m	(C) Flue bend kit 90° (2 required)	230486
80p	2.5m	0.25m	Type 'C' Restrictor Kit for 75/80e	457113
100p	2m	0.25m	Type 'D' Restrictor Kit for 100e	457114
System 60	to be advised			
System 100	to be advised			

NOTE: Max. flue length does not include flue elbow or bends.

* The Inline Adaptor 230488 can be used for installations where a flue length up to 100mm is required.

2x45° bends

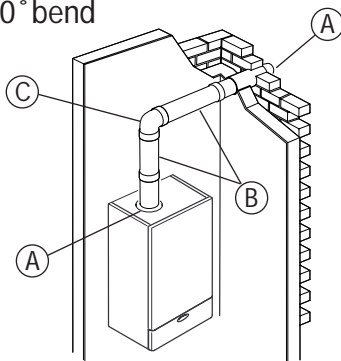


75e	2.5m	0.5m	(A) Standard Top Outlet Flue Pack or	230483
80e	2.5m	0.5m	(A) Extended Top Outlet Flue Pack	230487
100e	1.5m	0.5m	(B) *1m Extension Kit (as required)	230484
75p	3m	0.5m	(C) Flue bend kit 45° (2 required)	230485
80p	3m	0.5m	Type 'D' Restrictor Kit for 100e	457114
100p	3m	0.5m		
System 60	to be advised			
System 100	to be advised			

NOTE: Max. flue length does not include flue elbow or bends.

* The Inline Adaptor 230488 can be used for installations where a flue length up to 100mm is required.

1x90° bend



MODEL	MAX FLUE LENGTH (m)	DESCRIPTION OF PARTS REQUIRED	PART NUMBER
75e	2.5m	(A) Standard Rear Outlet Flue Pack	230482
80e	2.5m	(B) *1m Extension Kit (as required)	230484
100e	2.5m	(C) Flue bend kit 90° (1 required)	230486
75p	3m	Type 'C' Restrictor Kit for 75/80e	457113
80p	3m		
100p	3m		
System 60	to be advised		
System 100	to be advised		

NOTE: Max. flue length does not include flue elbow or bends.

* The Inline Adaptor 230488 can be used for installations where a flue length up to 100mm is required.

Compact 'e' illustrated

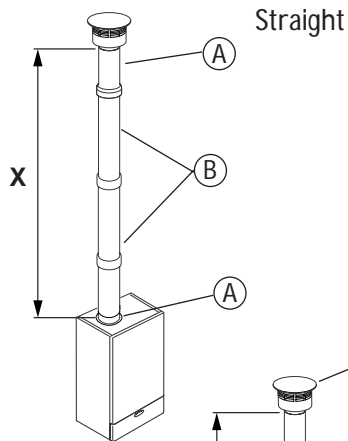
WALL HUNG COMBI BOILER / SYSTEM BOILER

COMPACT



COMPACT 'e', 'p' & SYSTEM RANGES

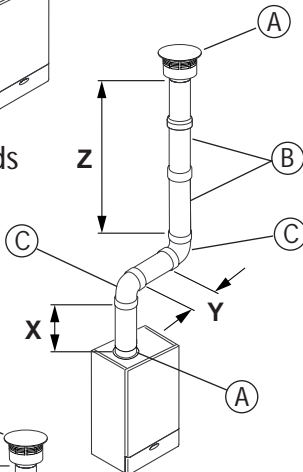
VERTICAL FLUE OPTIONS



MODEL	MAX FLUE LENGTH (m) X+Y+Z	DESCRIPTION OF PARTS REQUIRED	PART NUMBER
75e, 80e & 100e	2.5m	(A) Vertical Flue Kit (B) *1m Extension Kit (as required)	458115
75p, 80p & 100p	3m		230484
System 60	to be advised		
System 100	to be advised		

* The Inline Adaptor 230488 can be used for installations where a flue length up to 100mm is required.
X(Min.) = 500mm

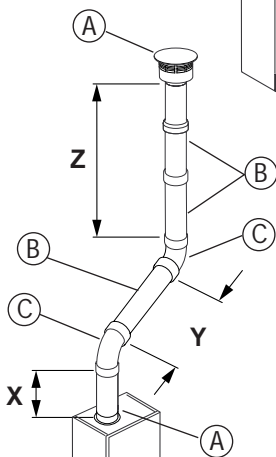
2x90° bends



75e & 80e	2.5m	(A) Vertical Flue Kit (B) *1m Extension Kit (as required) (C) Flue Bend Kit 90° (2 required)	458115
100e	1.5m		230484
75p & 80p	2.5m		230486
100p	2m		
System 60	to be advised		
System 100	to be advised		

NOTE: Max. flue length does not include flue elbow or bends.
* The Inline Adaptor 230488 can be used for installations where a flue length up to 100mm is required.
X(Min.) = 60mm, Y(Min.) = 0mm, Z(Min.) = 500mm

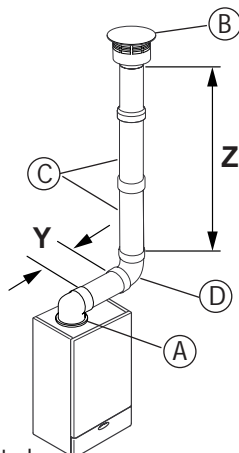
2x45° bends



75e, 80e	2.5m	(A) Vertical Flue Kit (B) *1m Extension Kit (as required) (C) Flue Bend Kit 45° (2 required) Type 'C' Restrictor Kit for 75/80e	458115
100e	1.5m		230484
75p, 80p	2.5m		230485
100p	2m		458113
System 60	to be advised		
System 100	to be advised		

NOTE: Max. flue length does not include flue elbow or bends.
* The Inline Adaptor 230488 can be used for installations where a flue length up to 100mm is required.
X(Min.) = 60mm, Y(Min.) = 0mm, Z(Min.) = 500mm

1x90° bend & boiler elbow



75e & 80e	2.5m	(A) Standard Top Outlet Flue Kit (B) Vertical Flue Kit (C) *1m Extension Kit (as required) (D) Flue Bend Kit 90° (1 required) Type 'D' Restrictor Kit for 100e	230483
100e	1.5m		458115
75p & 80p	2.5m		230484
100p	2m		230485
System 60	to be advised		458114
System 100	to be advised		

NOTE: Max. flue length does not include flue elbow or bend.
* The Inline Adaptor 230488 can be used for installations where a flue length up to 100mm is required.
Y(Min.) = 0mm, Z(Min.) = 500mm

FLUE PACK SELECTION

COMPACT



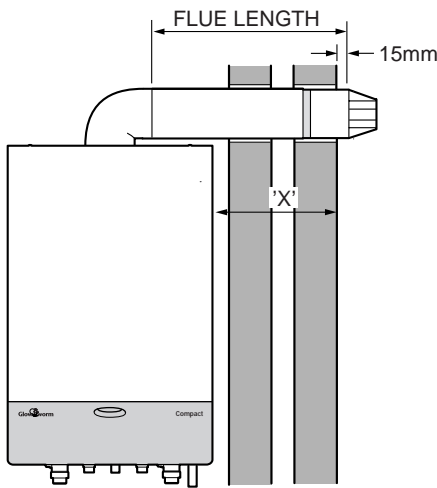
COMPACT 'e', 'p' & SYSTEM RANGES

TOP OUTLET FLUE PACKS

Max Flue Length = 840mm (Extended Flue Pack)

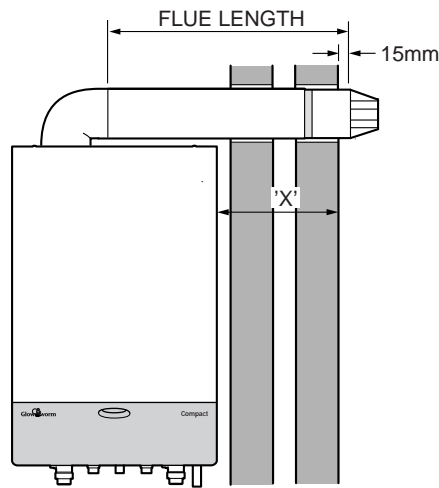
Max Flue Length = 570mm (Standard Flue Pack)

Compact 'p' Range



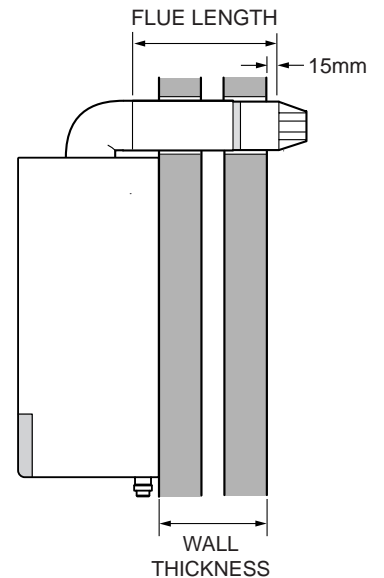
RHS & LHS FLUE LENGTH
= 'X' + 132mm

Compact 'e' & System Ranges



RHS FLUE LENGTH
= 'X' + 254mm
LHS FLUE LENGTH
= 'X' + 10mm

Compact 'e', 'p' & System Ranges

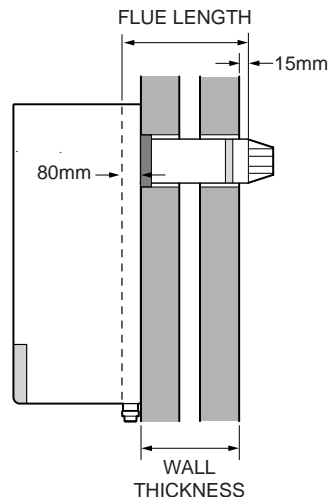


'e' FLUE LENGTH
= WALL + 69mm
'p' FLUE LENGTH
= WALL + 50mm
SYSTEM FLUE LENGTH
= WALL + 69mm

REAR OUTLET FLUE PACK

Max Flue Length = 510mm

Compact 'e' & System Ranges

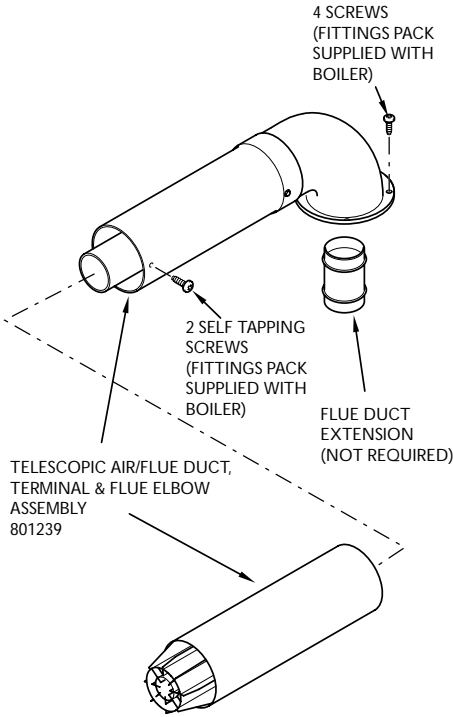


REAR FLUE LENGTH = WALL + 95mm

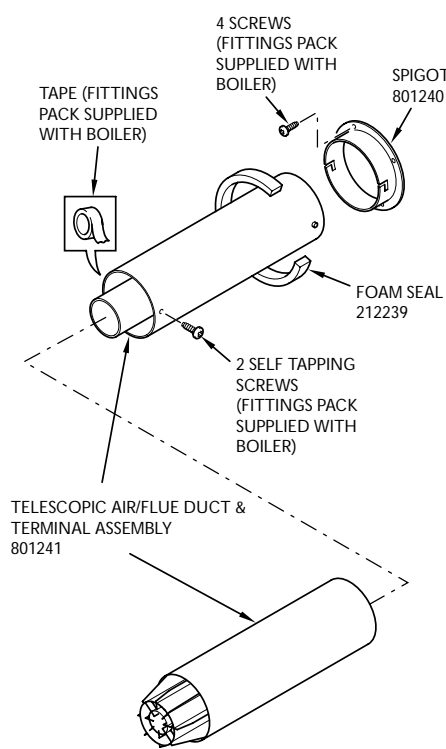
FLUE OPTIONS

COMPACT 'e', 'p' & SYSTEM RANGES

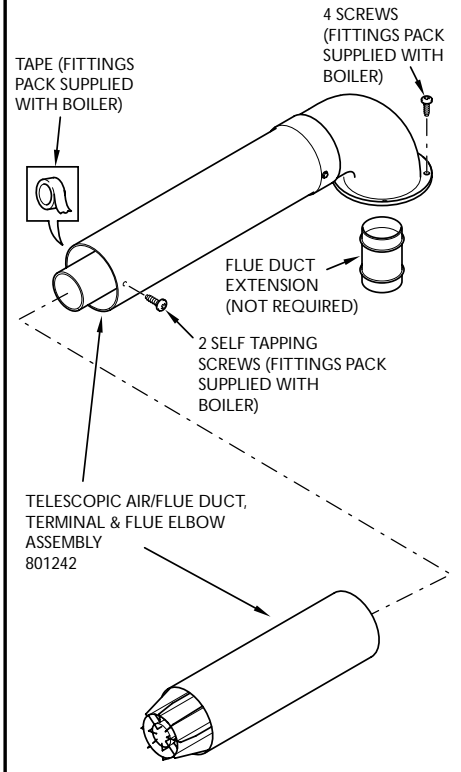
STANDARD TOP OUTLET FLUE PACK 230483



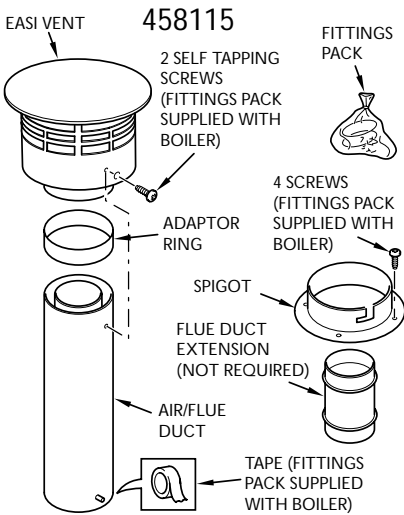
STANDARD REAR OUTLET FLUE PACK 230482



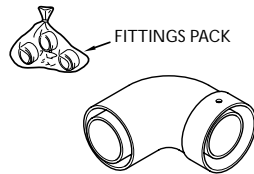
EXTENDED TOP OUTLET FLUE PACK 230487



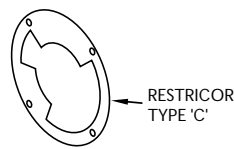
VERTICAL FLUE PACK



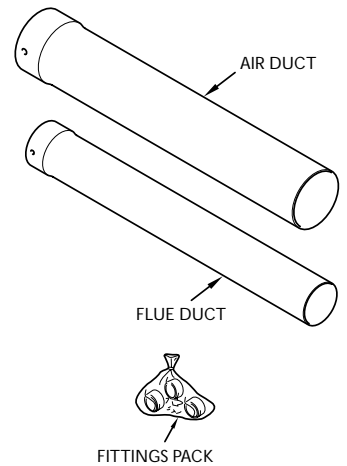
90° FLUE BEND KIT 230486



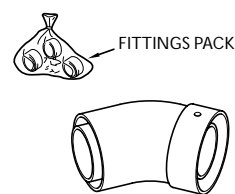
RESTRICTOR KIT 457113



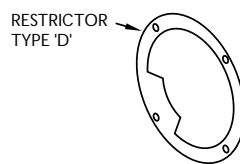
1m EXTENSION KIT 230484



45° FLUE BEND KIT 230485

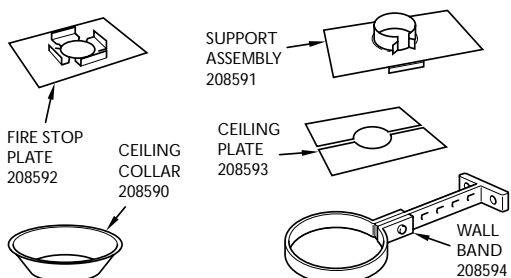


RESTRICTOR KIT 457114



ACCESSORIES

VERTICAL FLUE

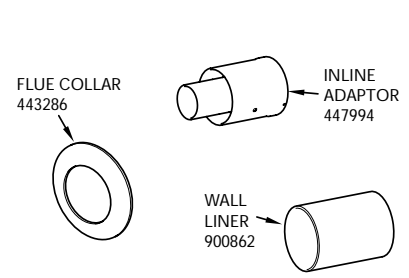


WEATHER COLLARS

THE SUGGESTED FLASHINGS ARE :

Rite Vent or Selkirk along with their appropriate storm collars.

HORIZONTAL & VERTICAL FLUE



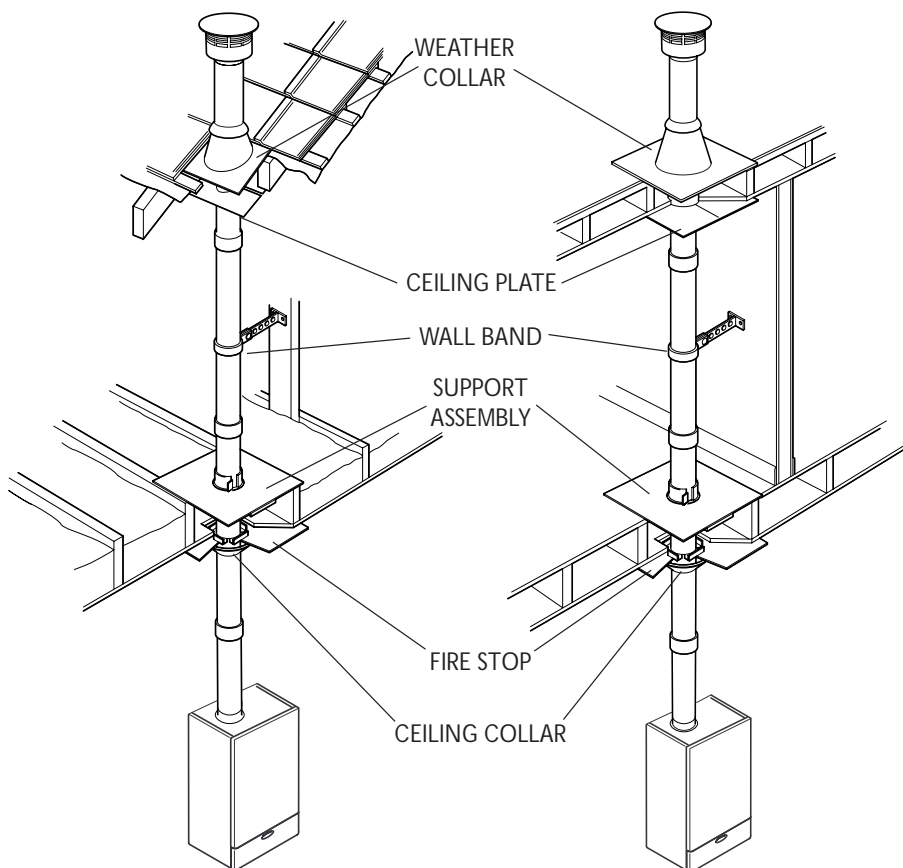
ACCESSORIES

COMPACT

COMPACT 'e', 'p' & SYSTEM RANGES



TYPICAL ARRANGEMENT



FIRESTOP PLATE - 208592

Manufactured from galvanised steel and fitted with spacer lugs which ensure that a distance of 50mm is maintained between the inner liner of the flue and any combustible material.

CEILING PLATE - 2PIECE - 208593

Manufactured from galvanised steel and should be used on the under side of the floor joists where the flue passes through the floor or roof in a non-vertical plane.

CEILING COLLAR - 208590

Used if required as a ceiling trim immediately below the ceiling to make a neat installation.

SUPPORT ASSEMBLY - 208591

Manufacture from galvanised steel and incorporates a fire stop feature fitted with spacer lugs and support collar. This item should be used to support the flue at the top of each floor joist and provide a fire stop feature.

HEATCALL
One Contact-Local Service

Customer Services:
Telephone 01773 828100 Fax: 01773 828070

benchmark
The code of practice for the installation,
commissioning & servicing of central heating systems



Hepworth Heating Ltd
A HEPWORTH PLC COMPANY

Nottingham Road, Belper, Derbyshire. DE56 1JT
General Sales Enquiries:
Telephone: 01773 824141 Fax: 01773 828123

The illustrations show our products as realistically as possible, however the limitations of photography and printing may result in goods varying slightly from the illustration.

Hepworth Heating Limited pursue a policy of continual improvement in design and performance of its products.

In pursuance of this policy we reserve the right to alter specification and designs.

The statutory rights of the consumer are not affected.