

**FERROLI**

**TEMPRA**  
GAS-FIRED SYSTEM BOILER



*RELAX...*  
*it's a*  
*Ferrolí*

# TEMPRA

## GAS-FIRED SYSTEM BOILER

### A NEW CONCEPT IN BOILERS FROM FÉRROLI

The new Tempra 30/60 is a highly efficient room-sealed gas-fired domestic system boiler that offers significant advantages over more conventional boilers.

Believed to be the smallest system boiler available today, the Tempra contains within its neat and compact casing many of the key system components and controls which are normally installed separately from the boiler. These include the circulating pump; expansion vessel; automatic air vent and air separator.

### COST EFFECTIVE

By including these components within the boiler casing, Férroli has cleverly created an extremely cost effective boiler that is much easier and quicker to install, reduces significantly the space required for system components, (no feed or expansion tanks are required in the loft) and with the many flue options offered by Férroli, can be installed virtually anywhere in the home.

*It saves space, it saves installation time and it saves money!*

The Tempra has been designed for use with either traditional vented or unvented hot water cylinders. This means an abundant supply of domestic hot water always on tap, an important consideration in the modern home with its heavy demand from shower facilities and washing machines.



The Tempra's range rated output of 9.7 to 17.6 Kw (33,000-60,000 Btu/h) ensures that it can meet the heating and hot water requirements of most homes. It incorporates a high efficiency copper heat exchanger and includes a frost protection control which ensures that your central heating system can never freeze up.

### TOTAL SITING FLEXIBILITY

Férroli has developed a wide range of flue options for its many products and the Tempra is no exception. With its multi-directional fan assisted flue and flue lengths up to 20m, this boiler offers total siting flexibility. More often than not the Tempra will be a straight replacement for an old boiler in a kitchen, but this flexible little boiler can be fitted almost anywhere from an airing cupboard to the garage!

Simple and uncomplicated in design, the Tempra features tried and tested components throughout and is easy to service with instant access to all major components from the front of the boiler.



RELAX... it's

Expansion vessel →

Heat exchanger →

← Fan

← Burner

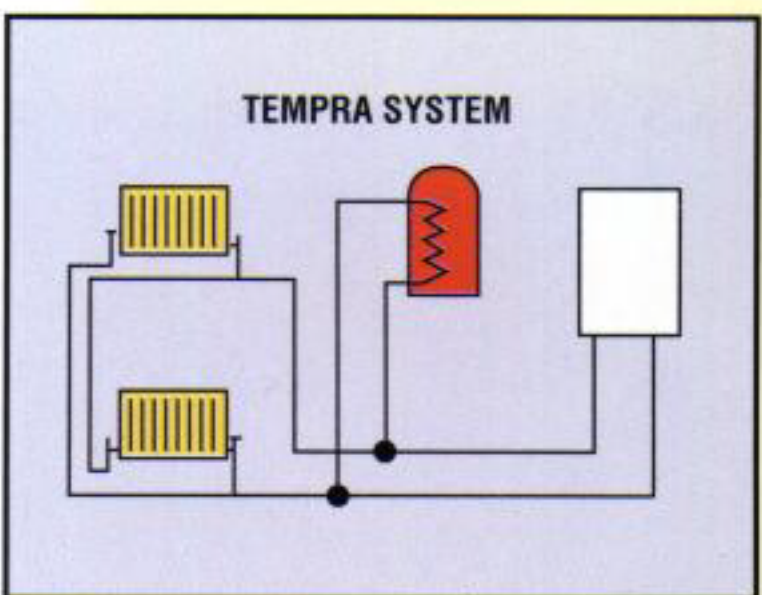
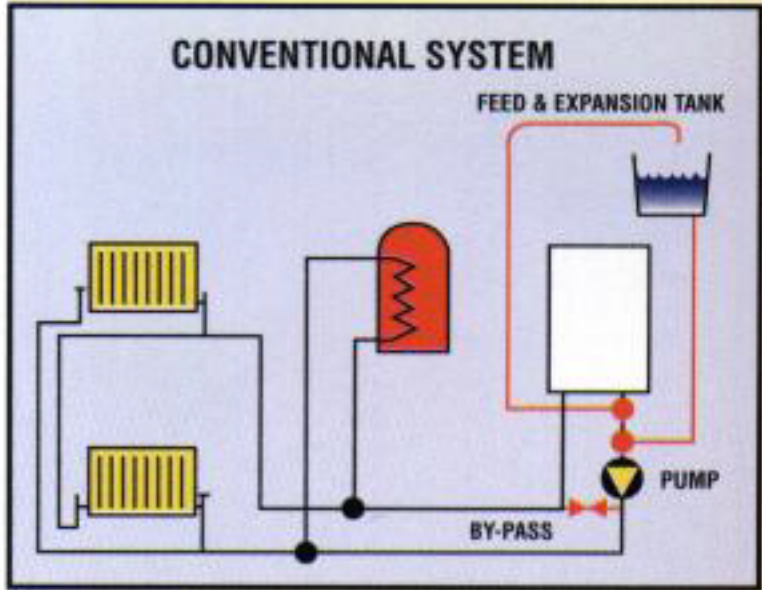
← Air pressure switch

← Automatic controls including electronic ignition and range-rated gas valve

← Boiler thermostat

→ Automatic air vent

→ Pump



*a Ferroli*

## FÉRROLI - THE COMPANY

Férroli is one of the world's largest boiler manufacturers. All its products are manufactured to the highest European standards and carry the CE approval mark. Férroli is renowned for its quality of manufacture and reliability in operation and every Férroli boiler carries a comprehensive guarantee. And once it is installed, you can relax in the knowledge that every Férroli product is supported by an efficient nationwide after sales servicing and spare parts network.

### TECHNICAL SPECIFICATION - TEMPRA SYSTEM BOILER

	Natural gas(G20)		Propane LPG(G31)	
	Max	Min	Max	Min
<b>Nominal heat input (gross)</b>	21.6Kw	12.8Kw	21.1Kw	12.5Kw
<b>Nominal heat output</b>	17.6Kw	9.7Kw	17.6Kw	9.7Kw

	Natural gas(G20)	Propane LPG(G31)
<b>Ø Main injectors</b>	1.2mm	0.77mm
<b>Ø Gas supply</b>	1/2"	1/2"
<b>Number of injectors</b>	9	9
<b>Working gas inlet pressure</b>	20 mbar	37 mbar
<b>Burner pressure</b> min. max.	5 mbar 15 mbar	13 mbar 36 mbar
<b>Gas rate</b>	2.06 m <sup>3</sup> /h	1.51 Kg/h
<b>Maximum system pressure</b>	3 bar	3 bar
<b>Ø Water connections</b>	3/4"	3/4"

### DIMENSIONS

Height:	Width:	Depth:	Weight:	Electrical Supply
750mm	420mm	275mm	40 Kg	230/50 V/Hz

Férroli pursues a policy of continuous product improvement and reserves the right to alter specifications and design without prior notice.



Stockton Close, Minworth Industrial Park, Minworth,  
Sutton Coldfield, West Midlands B76 1DH  
Telephone: 0121 352 3500 Fax: 0121 352 3505