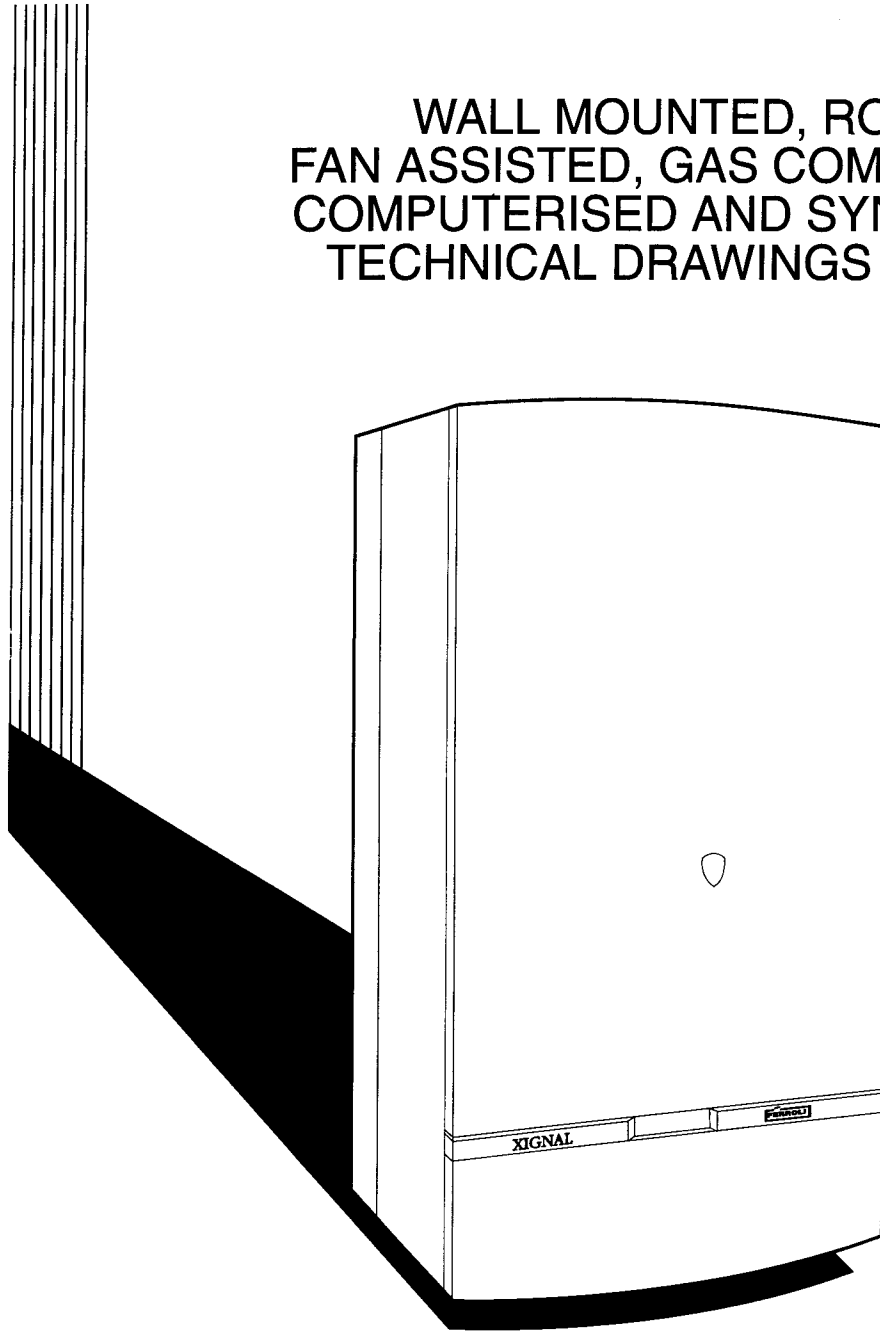


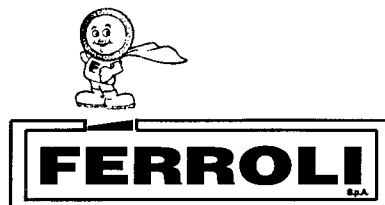


FERROLI XIGNAL

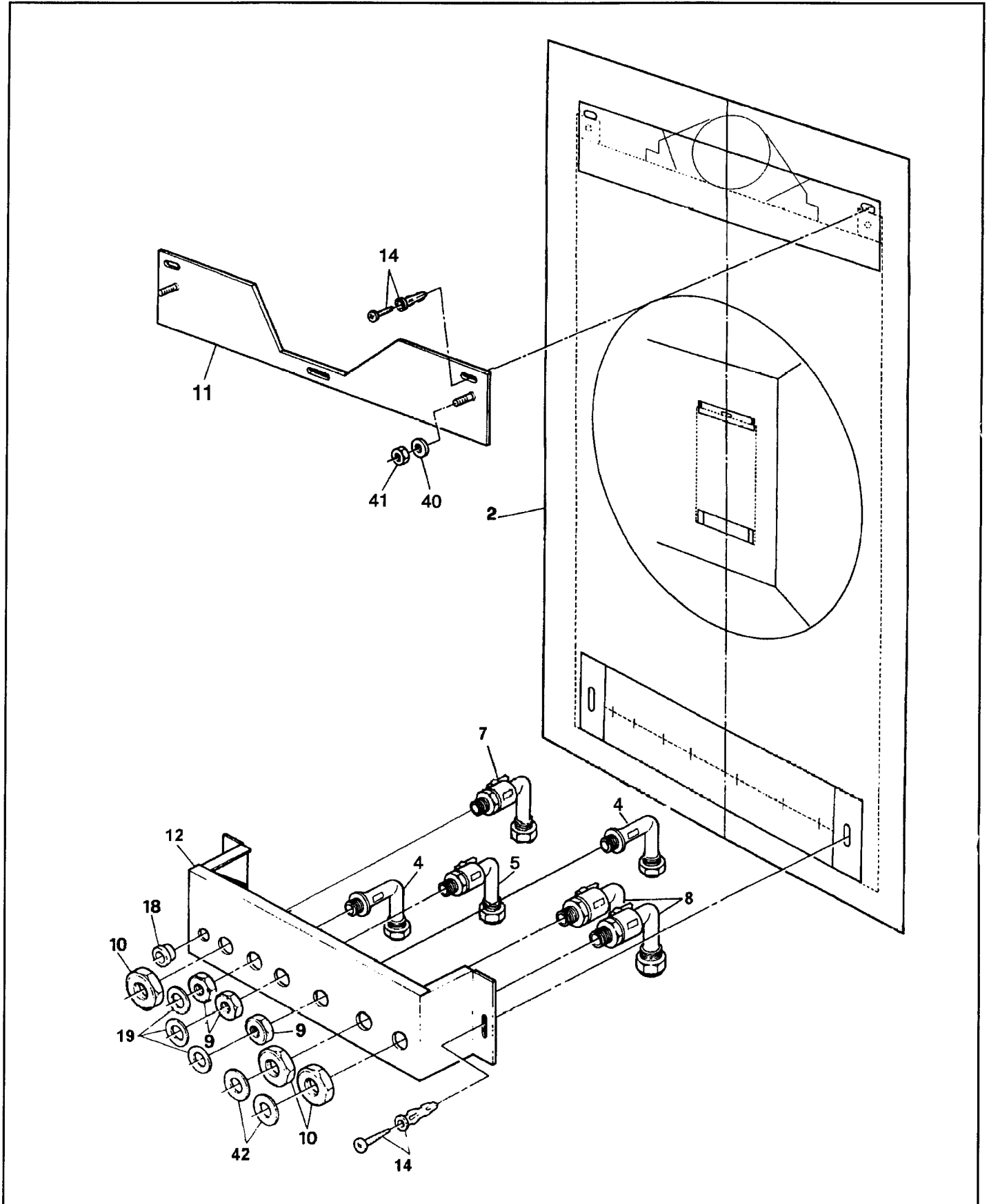
WALL MOUNTED, ROOM SEALED,
FAN ASSISTED, GAS COMBINATION BOILER,
COMPUTERISED AND SYNTHESIZED VOICE
TECHNICAL DRAWINGS AND PARTS LIST



W.R.C. No. 9207025



JIG BRACKET AND COCKS

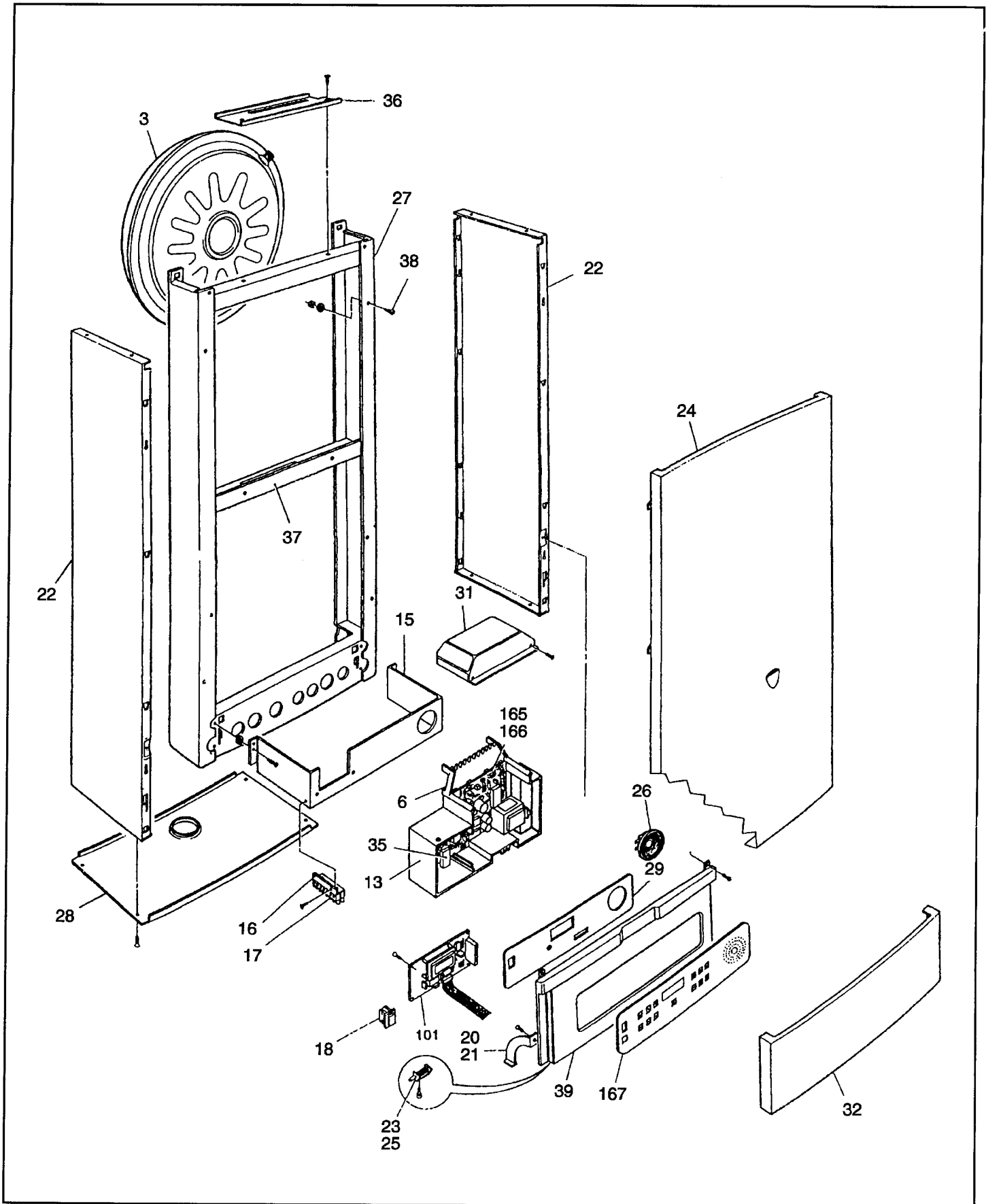


JIG BRACKET AND COCKS

Key G.C. No. Description

2	373 295	Template	817 600
4	372 296	Elbow - 15mm	811 310
5	372 297	Cock 15mm Comisa	811 290
7	372 373	Cock 22mm Comisa (gas)	811 295
8	372 298	Cock 22mm Comisa F & R	811 300
9	372 192	Nut ½"	817 880
10	372 193	Nut ¾"	817 430
11	372 185	Bracket mounting (top jig bracket)	813 530
12	372 187	Bracket - pipe fitting	816 430
14	372 198	Kit wall fixing	816 980
18	408 780	Bush	814 860
19	372 325	Gasket 18.5mm	810 850
40	372 197	Washer 24mm	814 720
41	372 199	Nut M8	812 000
42	372 196	Gasket 24mm	810 710

CASING ASSEMBLY AND CONTROL BOX

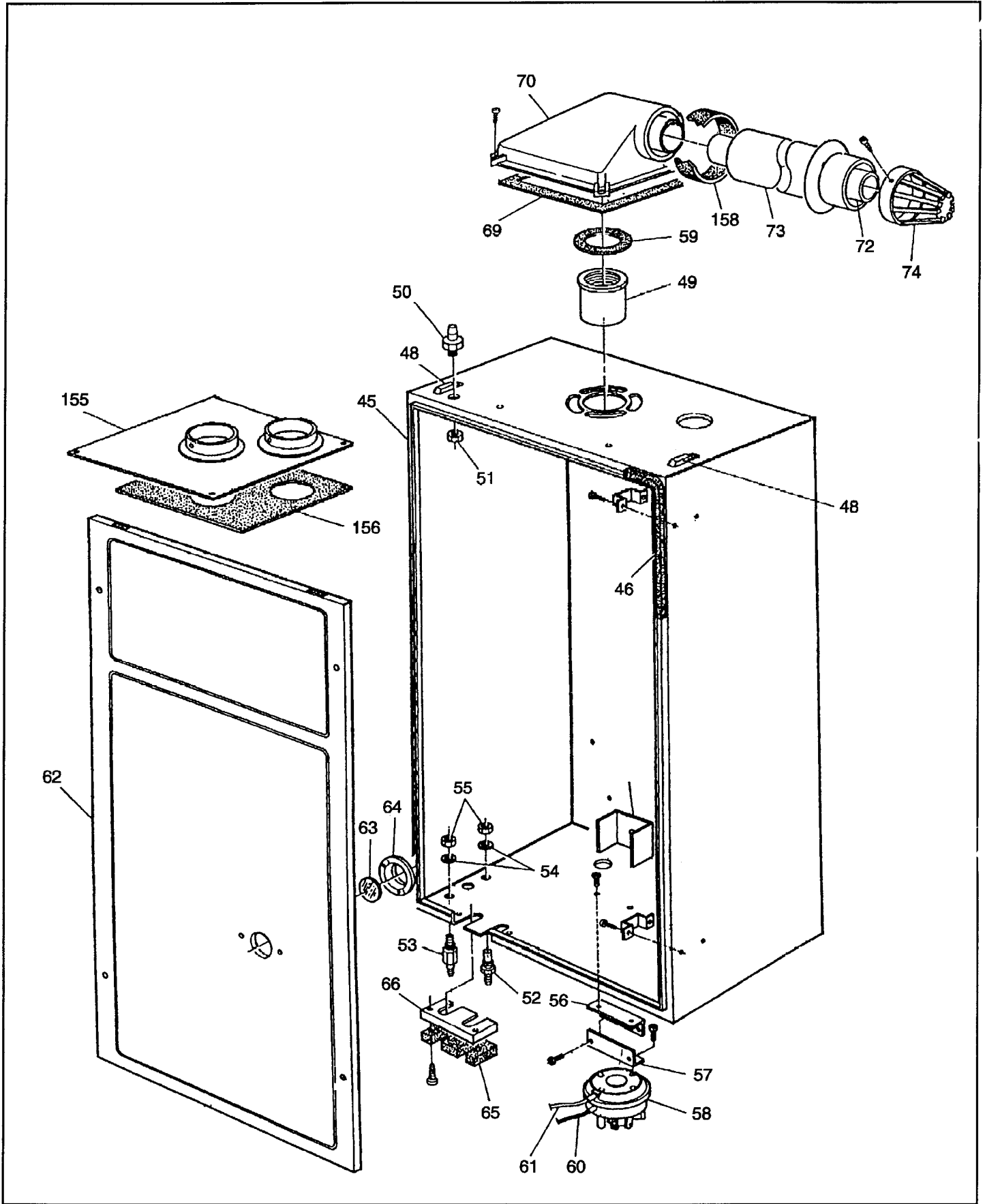


CASING ASSEMBLY AND CONTROL BOX

Key G.C. No. Description

3	386 821	Expansion vessel CH	811 770
6		Control box	814 980
13		Control box extension	850 500
15	372 307	Support electric box	817 500
16		Bracket terminal block	820 811
17		Terminal block 10 pole	850 142
18		Electric switch ART L302 12A	810 038
20		L/H bracket fascia panel	820 850
21		R/H bracket fascia panel	820 849
22		Casing - L/R	813 562
23		Hinge L/H	810 053
24		Panel - front upper	813 568
25		Hinge - R/H	810 052
26		Loudspeaker	820 046
27		Frame - boiler	810 418
28		Panel - bottom	813 566
29		Facia panel insert	800 388
31	372 301	Cover - electric box	818 840
32		Flap door	813 573
35		PCB - ignition Honeywell S4561 B 1013	850 559
36	372 205	Bracket - upper CH expansion vessel	816 460
37	372 204	Bracket - lower	811 620
38	372 203	Pin - support	818 470
39		Facia panel	850 387
101		Display PCB Honeywell 45-900.437-002	850 563
165		Main PCB Honeywell 45-900.437-005	850 587
166		Speech PCB Honeywell 45-900.437-006	850 588
167		Touch keyboard Honeywell 45-900.436-002	850 564

ROOM SEALED COMPARTMENT

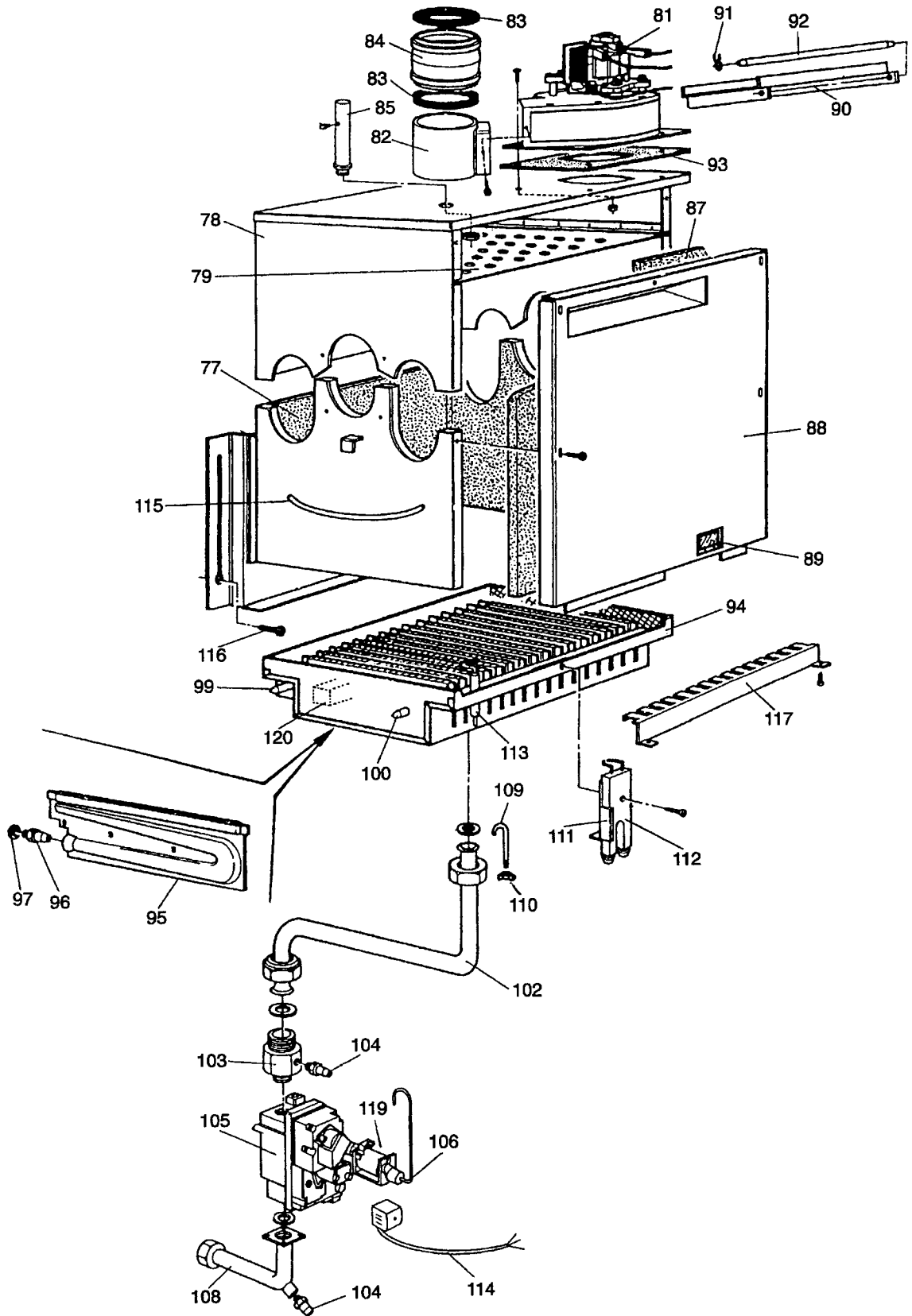


ROOM SEALED COMPARTMENT

Key G.C. No. Description

45		Room sealed compartment	871 960
46	372 234	Seal - room sealed compartment	800 530
48		Clip - buckle	800 380
49		Collar	804 060
50	372 232	Test point	810 280
51	372 233	Nut - for test point	818 430
52	372 378	Test point (air pressure)	810 240
53	372 379	Test point (Flue pressure)	810 250
54		Washer - pressure test point	810 480
55		Nut - pressure test point	818 430
56		Support - upper - pressure switch	818 130
57		Support - lower - pressure switch	818 141
58	378 167	Air pressure switch - HUBA 602.99.146	800 140
59	372 270	Gasket (flue/air hood)	810 550
60		Pipe silicon (red)	815 210
61		Pipe silicon (white)	815 210
62	372 254	Cover - room sealed compartment	810 900
63	372 255	Glass - spy	815 240
64	372 256	Flange - spy glass	810 430
65	372 247	Packing	811 750
66	372 246	Plate	817 270
67		Support - burner	808 220
69	372 271	Seal	810 560
70	372 269	Hood (flue/air intake)	811 210
72A	372 275	Inner duct exhaust 60 x 1000mm	810 010
72B	372 276	Inner duct exhaust 60 x 2000mm	810 011
72C	372 277	Inner duct exhaust 60 x 3000mm	810 012
73A	372 272	Air intake duct 100 x 960mm	810 013
73B	372 273	Air intake duct 100 x 2000mm	810 014
73C	372 274	Air intake duct 100 x 3000mm	810 015
74	372 278	Terminal	800 570
155	372 365	Two pipe adaptor plate	825 080
156	372 366	Gasket	819 997
158	372 321	Sealing sleeve	810 620

GAS TRAIN AND COMBUSTION CHAMBER

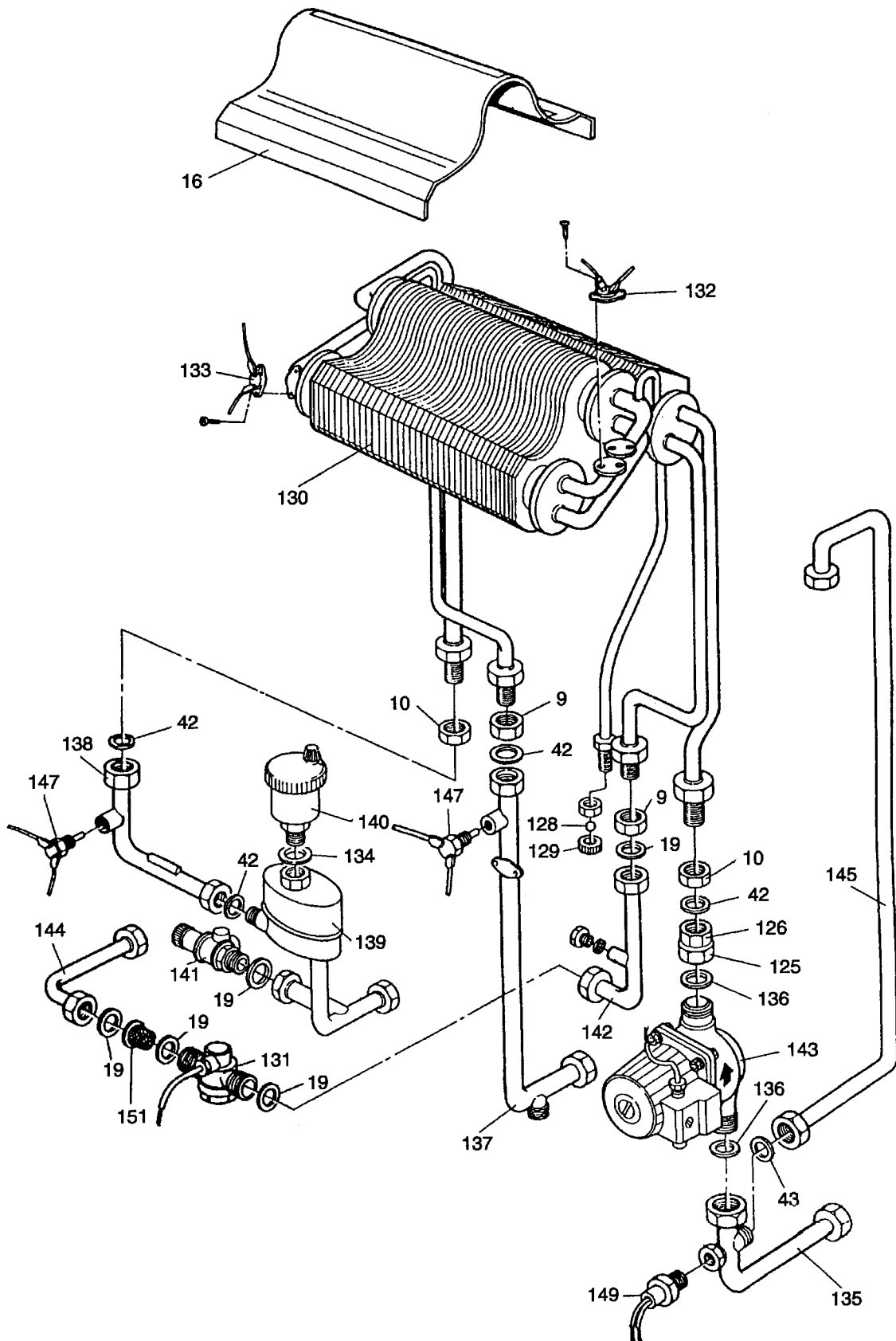


GAS TRAIN AND COMBUSTION CHAMBER

Key G.C. No. Description

75		Combustion chamber	871 770
76	372 124	Insulation - side - combustion chamber	815 270
77	372 125	Insulation - rear - combustion chamber	814 030
78		Flue collector box	812 290
79		Flue outlet box	874 720
81	297 037	Fan assembly	802 430
82		Fan/flue spigot	874 050
83		Gasket 80mm	810 760
84		Flue turret connector	874 070
85	297 021	Venturi	812 200
86	372 192	Nut - Venturi - ½"	817 880
87		Insulation - front - combustion chamber	816 720
88	297 038	Cover - combustion chamber C/W damper	802 440
89		Glass - spy - combustion chamber cover	815 250
90		Damper	800 176
91		Locking spring	830 034
92		Damper pin 3 diameter	801 085
93		Fan plate insulation	831 656
94		Burner assembly	802 910
95		Burner bar - Furigas ART 271.004.001	812 240
96		injector - Main NG POLIDORO 1.15	809 550
96A	297 043	Injector - Main LPG 0.72 POLIDORO 0.72	801 850
97	297 039	Cable - flame sensing	801 830
98	297 040	Cable - ignition electrode	801 840
99		Support - burner - rear	802 390
100		Support - burner - front	802 380
102		Pipe - gas valve to burner	842 930
103		Connector - C/W test point	810 330
104	372 232	Test point - gas	810 280
105		Gas valve Honeywell VR 4605NA 2007 ½"	880 226
106	372 263	Tube - modulating balance	816 920
107		Gasket	800 740
108		Pipe - inlet gas	844 450
109		Hook - burner fixing	802 270
110		Nut - wing for 109	804 960
111	297 044	Electrode - ignition	801 650
112		Support - electrode	808 090
113	297 045	Electrode - flame sensing	801 430
114		Wire for gas valve	831 652
115	386 170	Spring - hood fixing	813 030
116	372 203	Support pin	818 470
117		Frame - burner front	809 130
118		Gasket - ½"	810 410
119	379 955	Modulating regulator Honeywell V7335A 2067	818 290
120		Manifold C/W NG injectors	843 610
120A		Manifold C/W LPG injectors 0.72	843 600

HEAT EXCHANGER FOR CH AND DHW PIPES



HEAT EXCHANGER FOR CH AND DHW AND PIPES

Key G.C. No. Description

9	372 192	Nut - ½"	817 880
10	372 193	Nut - ¾"	817 430
16		Exchanger frame	891 032
19	372 325	Gasket 18.5mm	810 850
42	372 196	Gasket 24mm	810 710
43	372 142	Gasket CH expansion vessel	810 690
121	372 322	Spring - thermostat fixing	810 290
125	372 281	Nut - pump 1½"	818 800
126	372 282	Pump connection	818 530
127	372 283	Nut M6 - heat exchanger vent	811 070
128	372 150	Sphere - heat exchanger vent	818 560
129	372 151	Cap - heat exchanger vent	818 550
130	372 245	Heat exchanger	802 170
131		Flow meter	840 184
132		CH limit sensor NTC 10K6655RN-428-1 (LPG) *	820 040
133	386 815	Thermostat - overheat 100°C	801 240
134	372 180	Gasket 'O' ring 3087	810 500
135	372 140	Pipe - CH return	819 060
136	372 153	Gasket - pump 45mm	811 000
137	372 323	Outlet pipe - DHW	816 550
138	372 289	Piipe - CH flow to air separator	816 611
139	372 291	Separator - auto air vent	816 611
140	394 246	Auto air vent	801 160
141	386 816	Safety valve	800 130
142	372 285	Pipe - flow switch to heat exchanger	810 140
143	386 814	Pump - Grundfos 15.50	800 600
144	372 288	Pipe - inlet to flow switch	819 050
145	372 286	Pipe - expansion vessel - CH	816 863
147		Sensor NTC 10K TP R7335C-2008	820 047
149		Water pressure sensor TP P7200 A 1002	800 310
151	372 147	Filter	800 240
		Installation instructions	824 000
		Users instructions	823 000