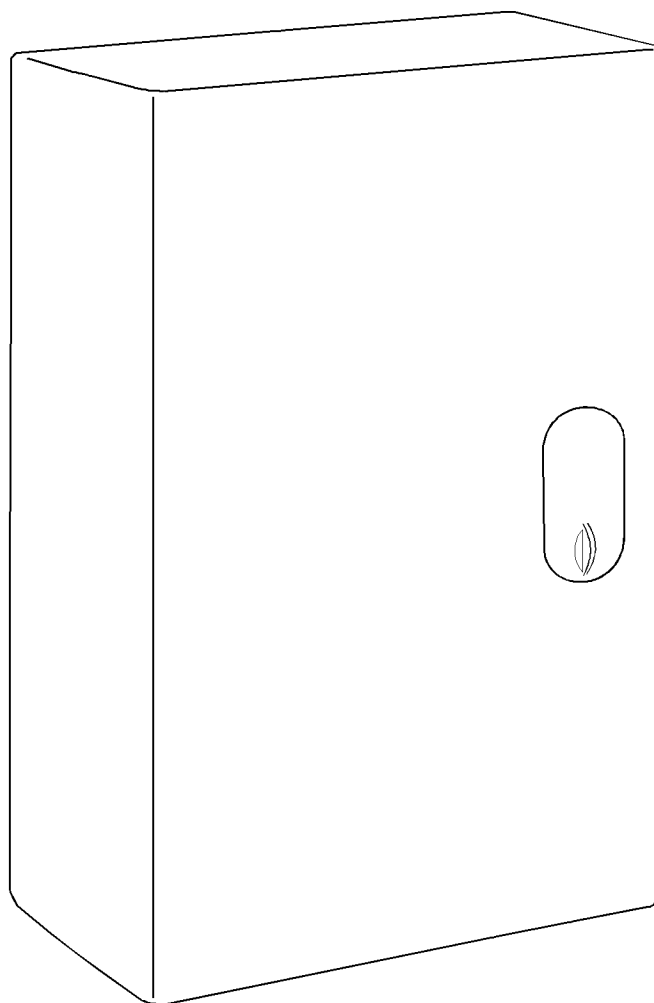
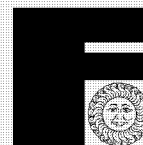




SIGMA 50 - 60

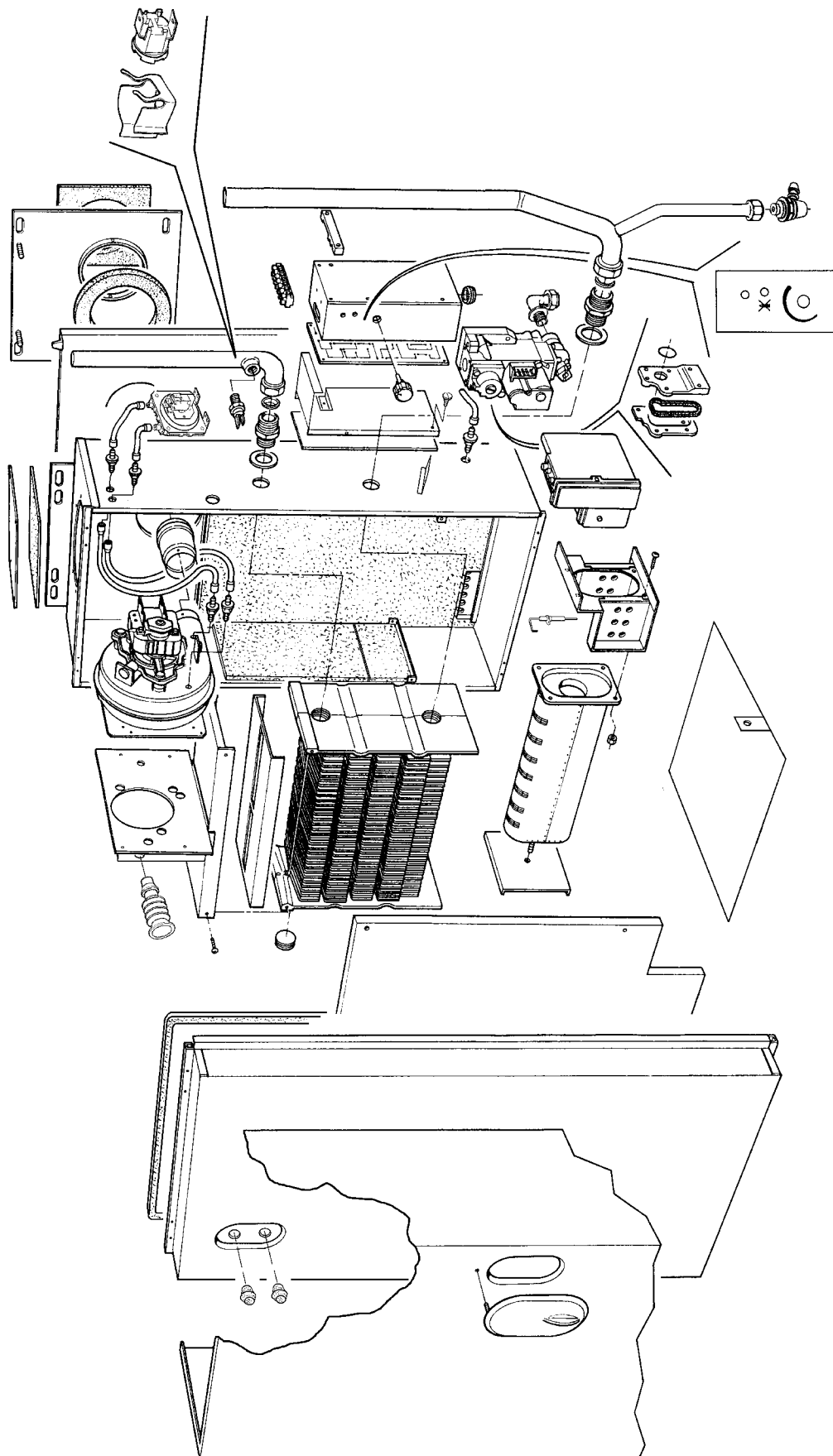


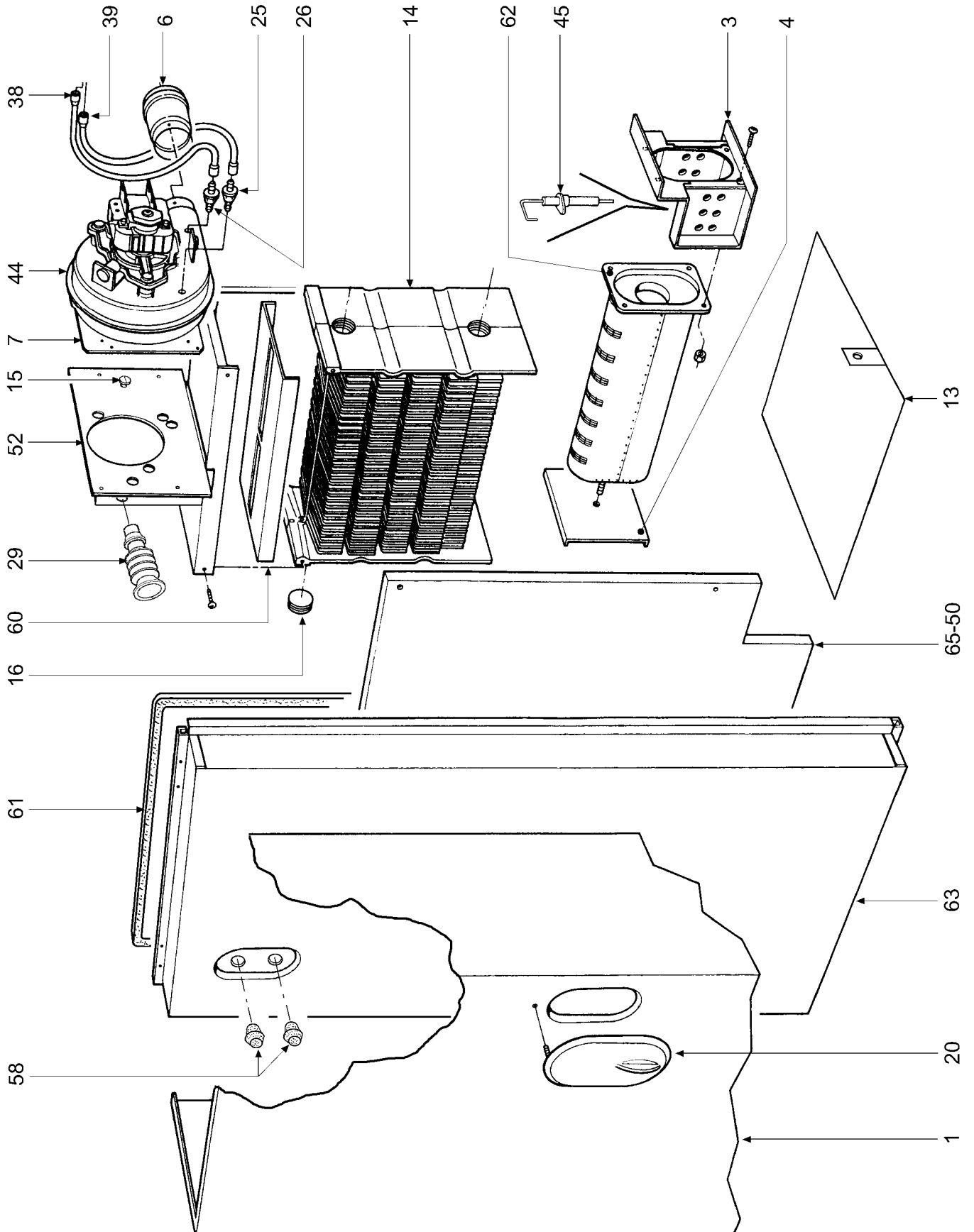
- LISTA PEZZI DI RICAMBIO
- SPARE PART LIST
- ERSATZSTEILE
- LISTE PIECES DETACHES
- LISTA PIEZAS DE REPUESTO

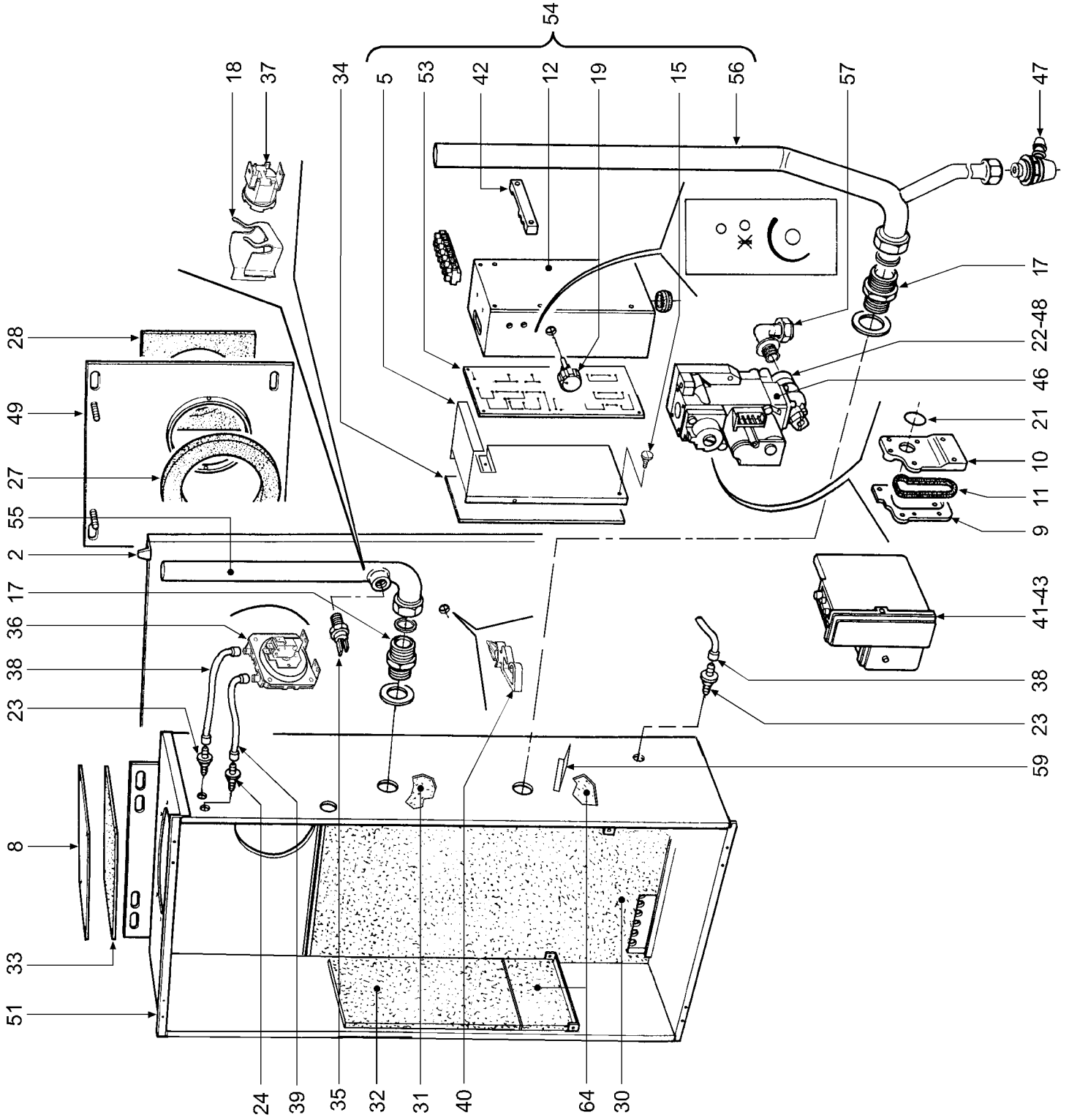


Appr. nr. B98.06 A - CE 0461 AT 0344

CODICE	EDIZIONE	MERCATO	VISTO
30R0256/0	01 - 99	GB	







FERROLI	SIGMA 50-60	DATE;1.2.99
----------------	--------------------	--------------------

KEY	ITALIAN		ENGLISH		Price
	Code No;	Description	Code No;	G. C.No;	
1	3114214/0	Casing,"white"	806214	E26-318	
2	3121068/0	Front wall panel	Not Req'	Cancel	
3	3121069/0	Bracket,pilot burner fixing,"right"	806069	E26-320	
4	3121071/0	Bracket,pilot burner fixing,"left"	806071	E26-322	
5	3121072/0	Control box support bracket	Not Req'	Cancel	
6	3211732/0	Union between fan and cover	806773	E26-323	
7	3211733/0	Fan holder plate	Not Req'	Cancel	
8	3211755/0	Smoke box cover	806755	E26-324	
9	3220278/0	Injector plate-3.60 N.G.(Sigma 60)	806278	E26-328	
9	3220282/0	Injector plate-2.30 L.P.G.(Sigma 60)	806282	E26-332	
9	3220283/0	Injector plate-3.30 N.G.(Sigma 50)	806283	E26-327	
9	3220284/0	Injector plate-2.10 L.P.G.(Sigma 50)	806284	E26-331	
10	3220279/0	Cover	806279	E26-333	
11	3220280/0	Gasket, gas manifold	806280	E26-334	
12	3291340/0	Control box with PCB	806340	E26-335	
13	3291346/0	Casing bottom plate	Not Req'	Cancel	
14	3300573/0	Boiler Element.(Heat Exchanger)	806573	E26-337	
15	3400088/0	Pin for slot-type coupling , M5	Not Req'	Cancel	
16	3401178/0	Male plug,3/4"	Not Req'	Cancel	
17	3401179/0	Nipple,3/4"	Not Req'	Cancel	
18	3430039/0	Contact-type thermostat fixing spring	806039	E23-829	
19	3500721/0	Potentiometer knob	806721	E23-830	
20	3500746/0	Instruments control panel	Not Req'	Cancel	
21	3510043/0	O-ring 3062 for 3/4" fitting	806043	E05-948	
22	3510046/0	O-ring ,130	806046	E26-338	
23	3510115/0	Pressure test point,"air"	806115	E26-339	
24	3510116/0	Pressure test point,"flue gasese"	806116	E26-340	
25	3510131/0	Pressure test point,"air-fan" see 44	Not Req'	Cancel	
26	3510132/0	Pressure test point,"Venturi" see 44	Not Req'	Cancel	
27	3510141/0	Boiler mounting bar gasket	Not Req'	Cancel	
28	3510142/0	Wall gasket	Not Req'	Cancel	
29	3510146/0	Fan plate gasket	Not Req'	Cancel	
30	3532104/0	Room-tight compartment insulation	806104	E26-342	
31	3532105/0	Room sealed compartment right insulation	806105	E26-343	
32	3532106/0	Room sealed compartment left insulation	806106	E26-344	
33	3532107/0	Smoke box cover insulation	806107	E26-345	
34	3532108/0	Control box with PCB insulation	Not Req'	Cancel	
35	3620051/0	Sensor,NTC 1 My	806051	E26-346	
36	3640006/0	Air pressure switch	800150	E23-840	
37	3640010/0	Flangeless gold-plated contacts 100 deg	801240	386-815	
38	3650495/0	Transparent silicone pipe roll 4mm	Not Req'	Cancel	
39	3650521/0	Red silicone pipe roll 4mm	Not Req'	Cancel	
40	3650631/0	Snap in grommet	Not Req'	Cancel	
41	3650640/0	Igniter device cover	Not Req'	Cancel	
42	3650651/0	Cable grip	Not Req'	Cancel	
43	3650659/0	Full Auto Control PCB,S4565 CD	806659	E26-347	
44	3844957/0	Fan Assembly	800480	E23-851	
45	3670258/0	Spark electrode-Flame detection	806258	E26-348	
46	3680267/0	Gas Valve-Honeywell,VK4105A 1092 1/2"	806267	E26-349	

