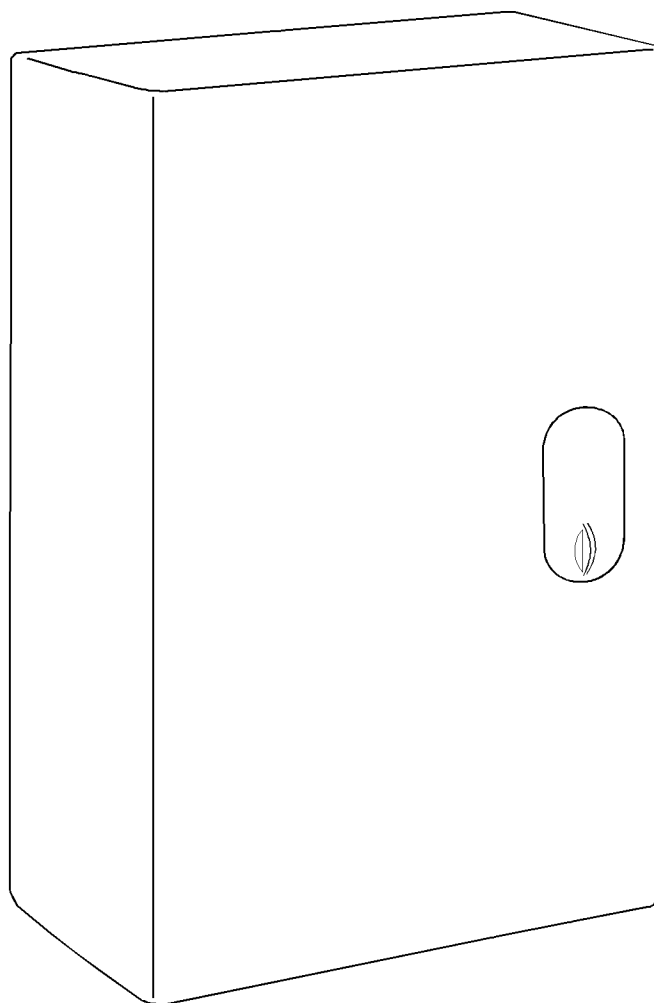
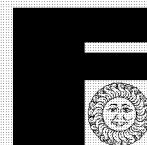


FERROLI

SIGMA 30 - 40

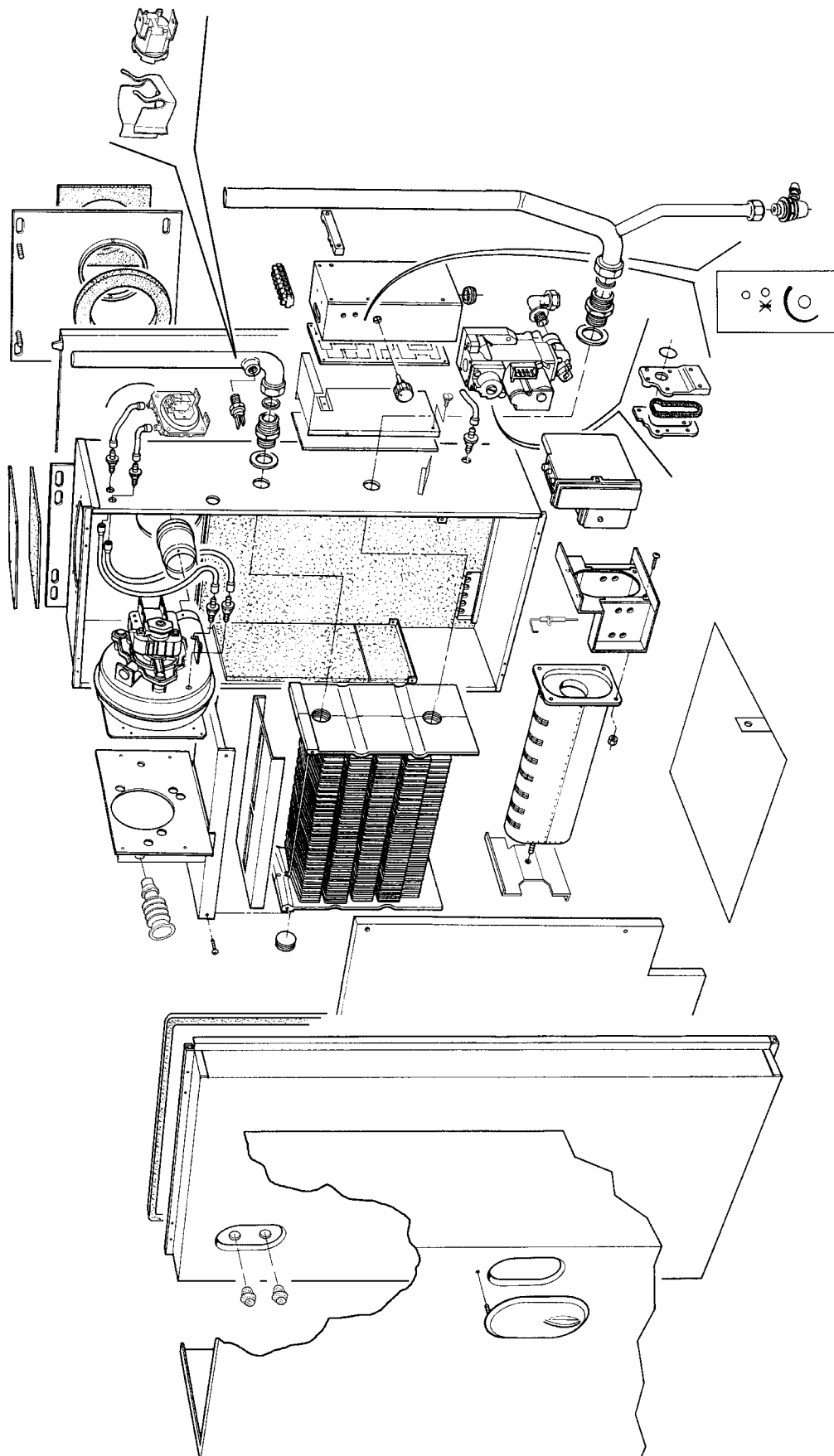


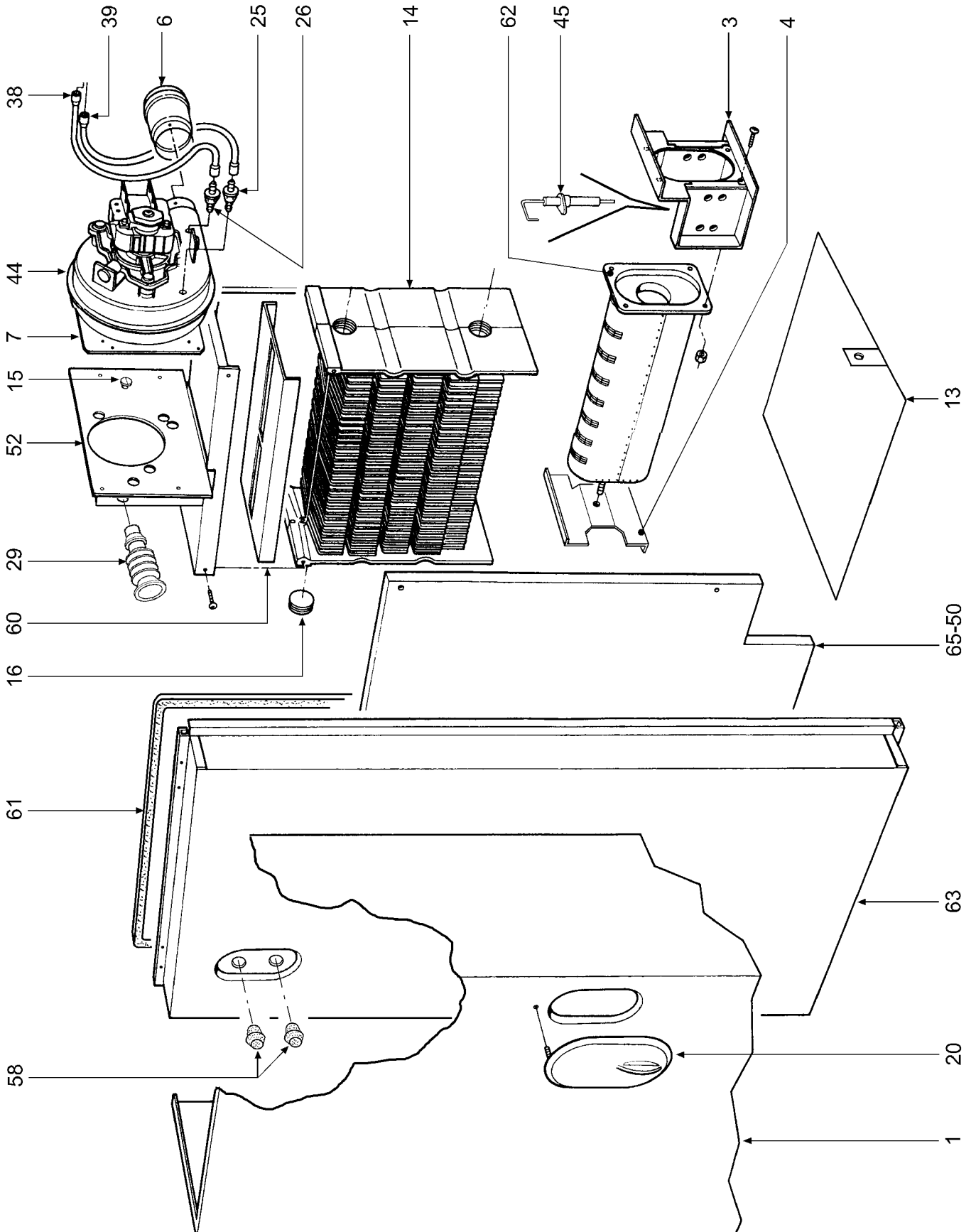
- LISTA PEZZI DI RICAMBIO
- SPARE PART LIST
- ERSATZSTEILE
- LISTE PIECES DETACHES
- LISTA PIEZAS DE REPUESTO

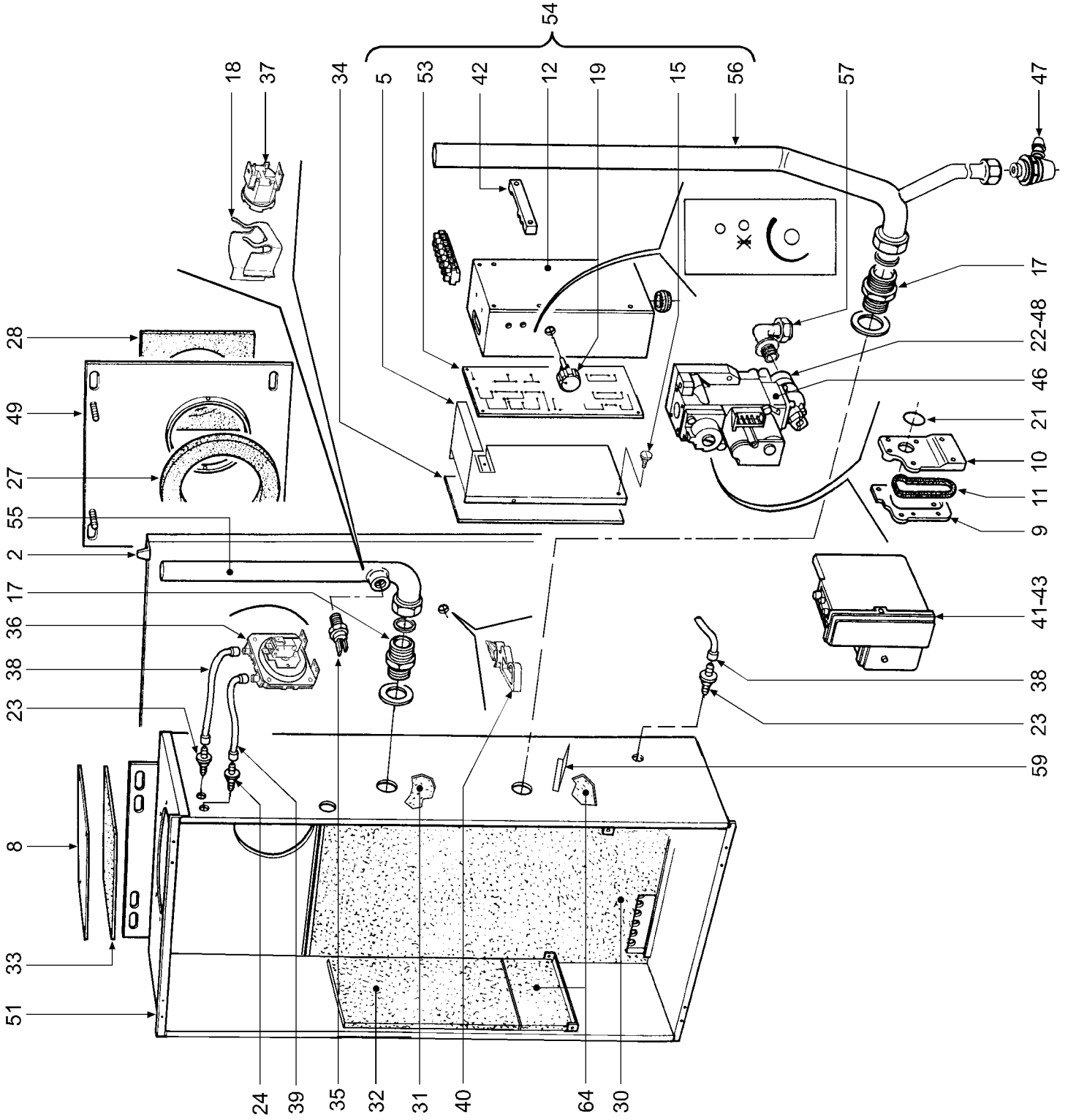


Appr. nr. B98.06 A - CE 0461 AT 0344

CODICE	EDIZIONE	MERCATO	VISTO
30R0313/0	01 - 99	GB	







FERROLI	SIGMA 30-40	DATE; 1.3.99
----------------	--------------------	---------------------

KEY	ITALAIN		ENGLISH		Price
	Code No;	Description	Code No;	G.C.No;	
1	3114246/0	Casing "white"	806246	E26-317	
2	3121096/0	Front wall frame	NOT REQ	Cancel	
3	3121099/0	Bracket, burner fixing, "right"	806099	E26-319	
4	3121097/0	Bracket, burner fixing, "left"	806970	E26-321	
5	3121072/0	Control box support bracket	NOT REQ	Cancel	
6	3211773/0	Fan union 56-60	806773	E26-323	
7	3211768/0	Fan holder plate	NOT REQ	Cancel	
8	3211755/0	Smoke box cover	806755	E26-324	
9	3220295/1	Injector plate 2.60 (NG) Sigma 30	806295	E26-325	
9	3220296/0	Injector plate 3.00 (NG) Simga 40	806296	E26-326	
9	3220297/0	Injector plate 1.60 (LPG) Sigma 30	806297	E26-329	
9	3220298/0	Injector plate 1.80 (LPG) Sigma 40	806298	E26-330	
10	3220279/0	Cover	806279	E26-333	
11	3220280/0	Gasket gas manifold	806280	E26-334	
12	3291340/0	Control box with PCB	806340	E26-340	
13	3291355/0	Casing bottom plate	NOT REQ	Cancel	
14	3300576/0	Boiler Element (Heat Exchanger)	806576	E26-336	
15	3400088/0	Pin for slot-tpye , M5	NOT REQ	Cancel	
16	3401178/0	Male plug, 3/4"	NOT REQ	Cancel	
17	3400385/0	Reducing nipple	NOT REQ	Cancel	
18	3430039/2	Contact-type thermostat fixing spring	806039	E23-829	
19	3500721/0	Potentiometer knob	806721	E23-721	
20	3500746/1	Instruments control panel	NOT REQ	Cancel	
21	3510043/0	O-ring 3062 for 3/4" fitting	806043	E05-948	
22	3510046/0	O-ring , 130	806046	E26-338	
23	3510115/0	Pressure test point , "air"	806115	E26-339	
24	3510116/0	Pressure test point , "flue gases"	806116	E26-340	
25	3510131/0	Pressure test point , "air-fan"	NOT REQ	Cancel	
26	3510132/0	Pressure test point , "Venturi"	NOT REQ	Cancel	
27	3510141/0	Boiler mounting plate gasket	NOT REQ	Cancel	
28	3510142/0	Wall gasket	NOT REQ	Cancel	
29	3510152/0	Flue gases test point	NOT REQ	Cancel	
30	3532123/0	Room tight compartment insulation	806123	E26-341	
31	3532105/2	Room sealed Compartment right (lateral)	806105	E26-343	
32	3532106/2	Room sealed Compartment left (lateral)	806106	E26-344	
33	3532107/0	Smoke box cover insulation	806107	E26-345	
34	3532108/2	Control box with PCB , insulation	NOT REQ	Cancel	
35	3620051/0	Sensor , NTC , M	806051	E26-346	
36	3640006/0	Differential air pressure switch	800150	E23-840	
37	3640010/0	Flangeless gold-plated contacts"100 Deg"	801240	386-815	
38	3650495/0	Transparent silicone pipe roll , 4mm	NOT REQ	Cancel	
39	3650521/0	Red silicone pipe roll , 4mm	NOT REQ	Cancel	
40	3650631/0	Snap in grommet	NOT REQ	Cancel	
41	3650640/0	Igniter device cover	NOT REQ	Cancel	
42	3650651/0	Cable grip	NOT REQ	Cancel	

