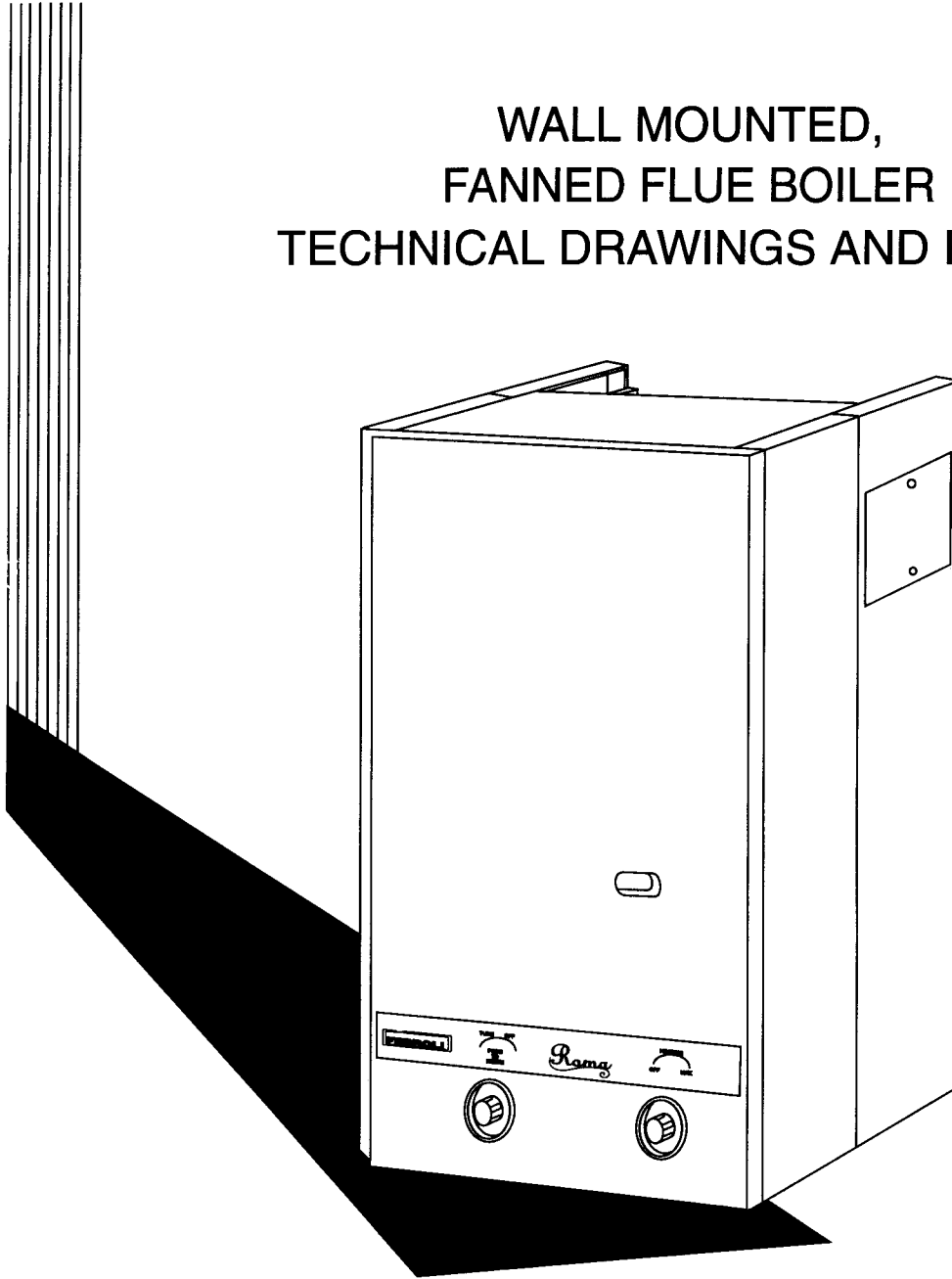




FERROLI ROMA 55 FF/92

WALL MOUNTED, FANNED FLUE BOILER TECHNICAL DRAWINGS AND PARTS LIST



This appliance has been Tested
and Certified by British Gas plc
G.C. Appliance No 41-267-05



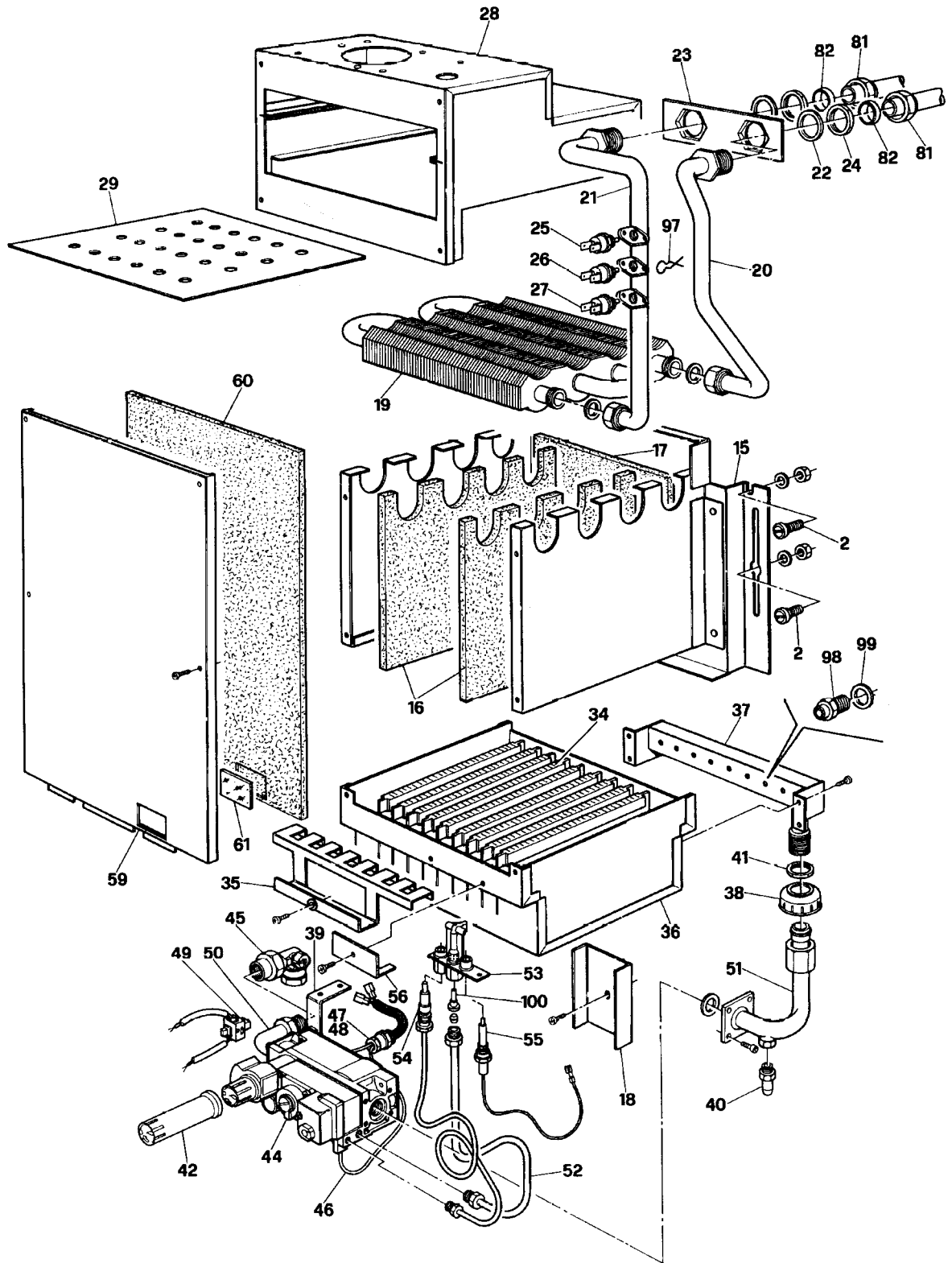
ALL SPECIFICATIONS SUBJECT TO CHANGE

ROOM SEALED COMPARTMENT AND FLUE

Key G.C. No. Description

1	372 376	Room sealed compartment	811 500
3	372 377	Nut - special	810 190
4	372 378	Fan air outlet pressure test point	810 240
5	372 379	Flue outlet pressure test point	810 250
6	372 380	Jig bracket	815 030
7	372 381	Washers	811 200
8	372 382	Flue gasket - 124 x 124 x 6 flue outlet duct	812 710
9	372 383	Bracket - cable fastening	818 170
10	372 384	Bracket - pressure switch	815 080
11A	381 691	Pressure switch - Walter Beck 911.80	800 140
11B	378 168	Pressure switch - Kromschroder - DL.01.E	811 400
11C	378 167	Pressure switch - Huba 602.99.146	812 620
12	372 252	Pressure switch injector - 0.65 diameter	818 770
13	297 015	Silicon pipe - 7mm - external	814 950
14A	297 016	Silicon pipe - 7mm	815 210
14B	297 016	Silicon pipe - 7mm	815 210
30	372 192	Nut - ½"	817 880
31	378 169	Fan - S.E.L. - RL 85/0034 A1 - complete	802 240
32	297 020	Gasket - 75mm diameter - silicone Sp.12mm	810 700
33	297 021	Venturi flue - complete	812 200
43	297 006	Case seal - Maxgamma type POR 304	811 004
57	372 247	Packing	811 750
58	372 246	Plate - for pilot gas tube and thermocouple	817 270
68	372 392	Inner case	811 520
69	297 031	Gasket - 30.5mm diameter - spy glass	810 540
70	372 256	Flange - spy glass	810 430
71	372 255	Spy glass	815 240
75	372 395	Data badge	814 750
83	372 321	Sealing sleeve	810 620
84	297 002	Flue/air intake flange - rear outlet	811 610
85	297 003	Flue/air intake flange gasket	816 240
86	372 272	Outer air intake duct - 100 x 690mm long	810 013
87	372 273	Outer air intake duct - 100 x 2000mm long	810 014
89	372 278	Flue terminal	800 570
90	372 275	Inner flue duct - 60 x 750mm long	810 010
91	372 276	Inner flue duct - 60 x 2000mm long	810 011
93	297 004	Flue terminal - vertical	825 110
94	297 005	Flu/air intake hood side/vertical outlet	825 120

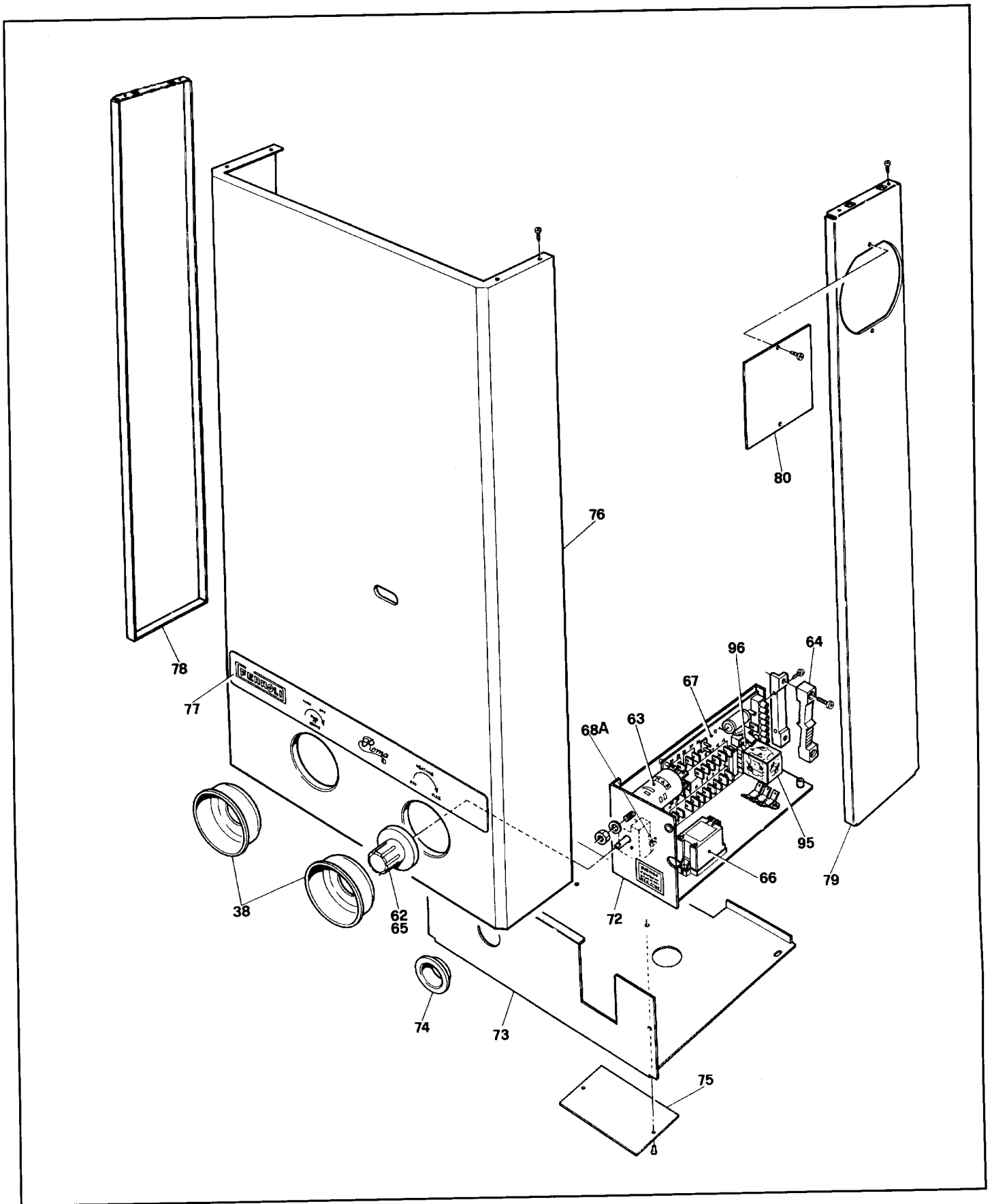
GAS TRAIN AND COMBUSTION CHAMBER



GAS TRAIN AND COMBUSTION CHAMBER

Key	G.C. No.	Description	
2	372 299	Support pin	810 030
15	372 385	Combustion chamber - complete - upper	812 450
16	372 386	Insulation - side	814 010
17	372 387	Insulation - back	817 210
18	297 009	Combustion chamber support	818 880
19	297 010	Heat exchanger	802 260
20	297 011	Pipe - return	812 160
21	297 012	Pipe - inlet	812 170
22	297 013	Gasket washer - internal diameter 28mm	812 880
23	297 014	Pipe support plate	818 950
24	297 017	Nut - 1 1/8" hexagon	810 130
25	386 828	Frost thermostat - Elmwood L14C98/703-398	* 800 180
26	386 577	Central heating thermostat - Elmwood 2455R	800 160
27	378 159	Overheat cut-off thermostat - Elmwood 2455RT	801 240
28	297 018	Draft diverter	811 510
29	297 019	Draft diverter deflector	819 260
34	378 170	Main burner - Furigas 271.004.001	812 240
35	297 022	Burner front frame	812 900
36	297 023	Combustion chamber - bottom	815 860
37	378 171	Gas manifold - Furigas 271.007.000 - complete	813 240
38	372 318	Cap gasket - Plastic shroud	810 650
39	372 388	Support plate - gas valve	817 890
40	372 232	Test points on boiler	810 280
41	372 193	Nut - 3/4"	817 430
42	372 290	Extension knob - gas valve	811 840
44	386 170	Combination gas valve 1/2" - V4600C 1193	802 280
45	397 814	Gas clock - Siral 1256 - 1/2"	812 230
46	297 024	Complete ECO split wire	801 600
47	297 007	Cable sleeve - PG 9	811 690
48	297 008	Cable clamp - PG 9	812 500
49	386 813	Microswitch - Honeywell Q640A 1002	801 540
50	297 025	Inlet gas pipe to gas valve	812 250
51	372 389	Pipe - gas valve to burner	812 260
52	372 390	Pipe - 6 x 1 diameter - pilot burner	810 800
53	378 160	Pilot burner - Polidor PA 667/27.2	812 870
54	378 161	Thermocouple - Catoba 1 - 712.209	801 490
55	372 370	Spark electrode assembly - complete	801 500
56	372 391	Fixing plate - pilot burner	818 900
59	297 026	Combustion chamber cover	811 460
60	297 027	Insulation - combustion chamber cover	816 230
61	297 028	Spy glass - 50 x 30 x 3.3	815 250
81	297 032	Nut for olive	810 170
82	297 033	Olive - 22 diameter	810 180
97	372 322	Spring	810 290
98	378 172	Main injector 1.25 - Polidoro NP 125 - NG	819 470
99	372 259	Gasket - injector - 15mm diameter	810 480
100	386 177	Pilot injector 0.27 - Polidoro G27.2 - NG	801610 . BRD / . 810 820
*		(Later models) pump overrun thermostat	801 710

CASING ASSEMBLY AND CONTROL BOX



CASING ASSEMBLY AND CONTROL BOX

Key G.C. No. Description

38	372 318	Cap gasket - plastic shroud	810 650
62	372 220	Selector knob	811 800
63	386 176	Capacitor - IMIT 1MF 450V RS 470K	801 560
64	297 029	Double cable clamp	813 630
65	297 030	Knob stop	811 910
66	372 309	Transformer - Cast 697252/78	801 150
67	372 372	Printed circuit board VF 1 complete - special	802 300
68A	376 171	Thermostat boiler	802 290
72	372 393	Electric box	813 890
73	372 394	Lower case	819 000
74	372 211	Bush	811 830
75	372 395	Data badge	814 750
76	372 396	Outer case	817 550
77	372 397	Boiler front logo	812 610
78	372 398	Jacket side - without hole	813 260
79	372 399	Jacket side - with hole	813 290
80	297 000	Cover plate	819 070
95	386 173	Relay switch - FINDER 55.338240 5A	801 580
96	297 001	Fuse - 2A	814 620