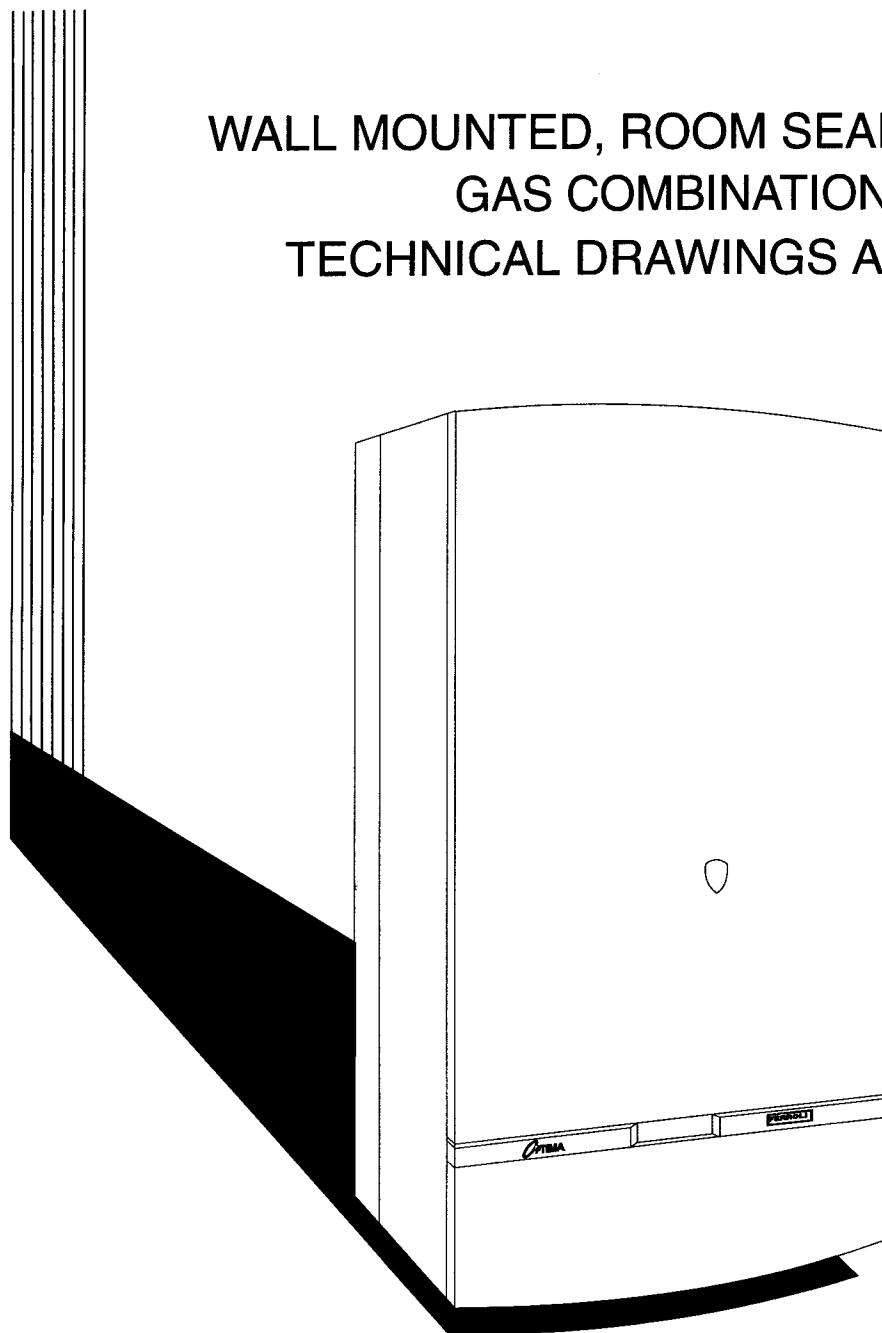




# FERROLI OPTIMA 900

## WALL MOUNTED, ROOM SEALED, FAN ASSISTED GAS COMBINATION BOILER TECHNICAL DRAWINGS AND PARTS LIST

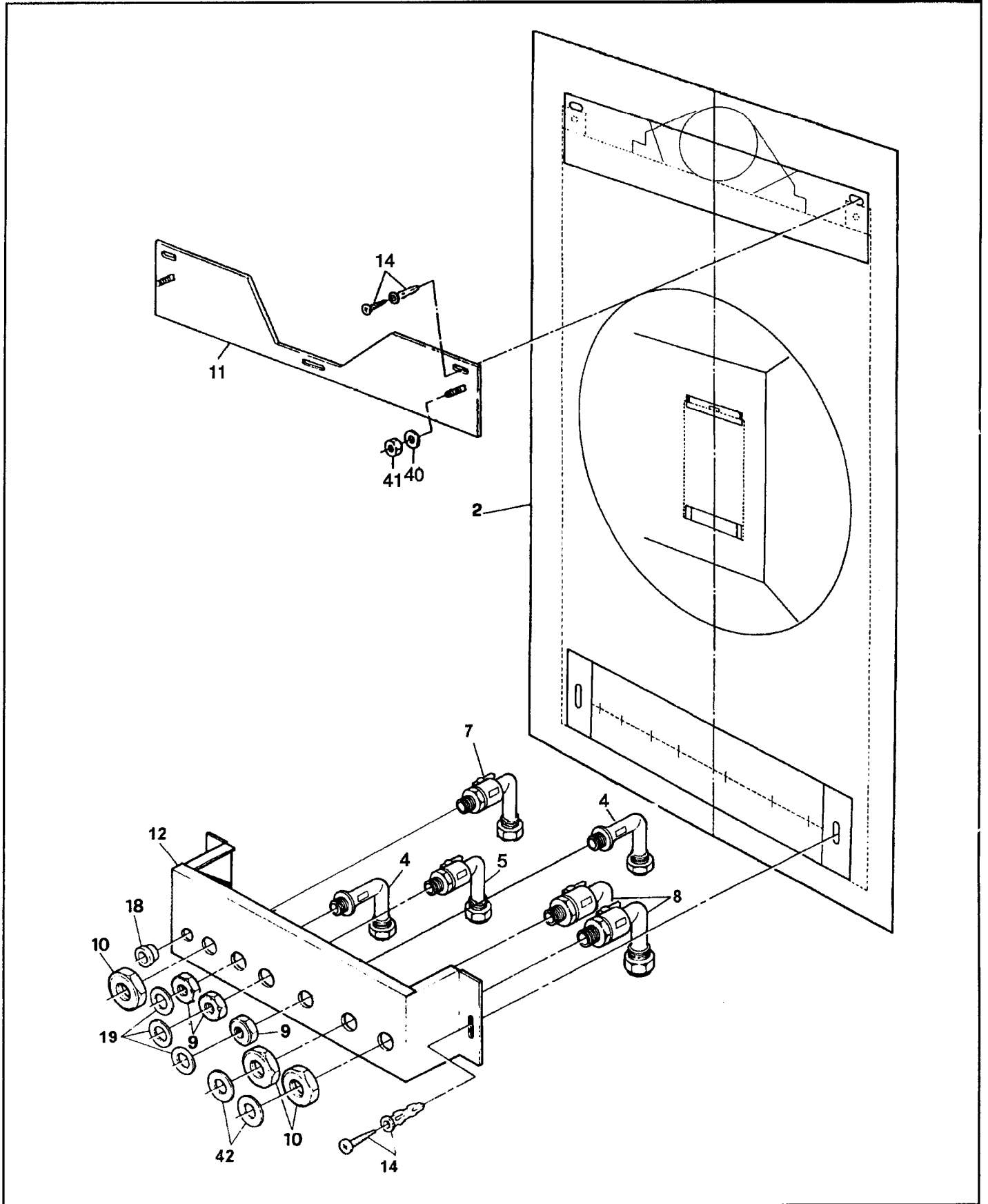


WRC. No. 9207075



ALL SPECIFICATIONS SUBJECT TO CHANGE

# JIG BRACKET AND COCKS

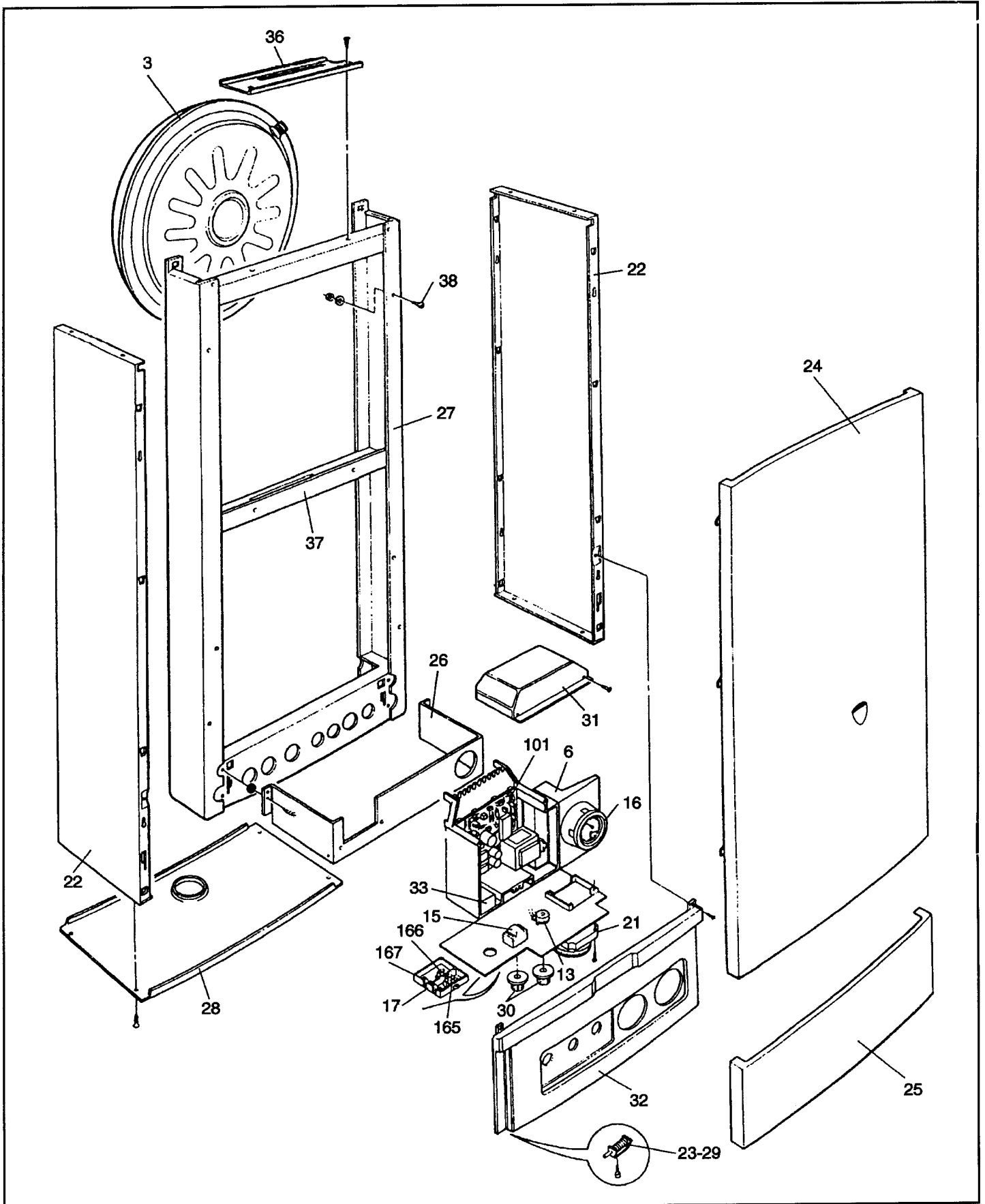


## JIG BRACKET AND COCKS

### **Key G.C. No. Description**

2	372 295	Template	817 600
4	372 296	Elbow - 15mm	811 310
5	372 297	Cock 15mm Comisa	811 290
7	372 373	Cock 22mm Comisa (gas)	811 295
8	372 298	Cock 22mm Comisa F & R	811 300
9	372 192	Nut - ½"	817 880
10	372 193	Nut - ¾"	817 430
11	372 185	Bracket mounting (top jig bracket)	813 530
12	372 187	Bracket - pipe fitting	816 430
14	372 198	Kit wall fixing	816 980
18	408 780	Bush	814 860
19	372 325	Gasket 18.5mm	810 850
40	372 197	Washer 24mm	814 720
41	372 199	Nut M8	812 000
42	372 196	Gasket 24mm	810 710

# CASING ASSEMBLY AND CONTROL BOX

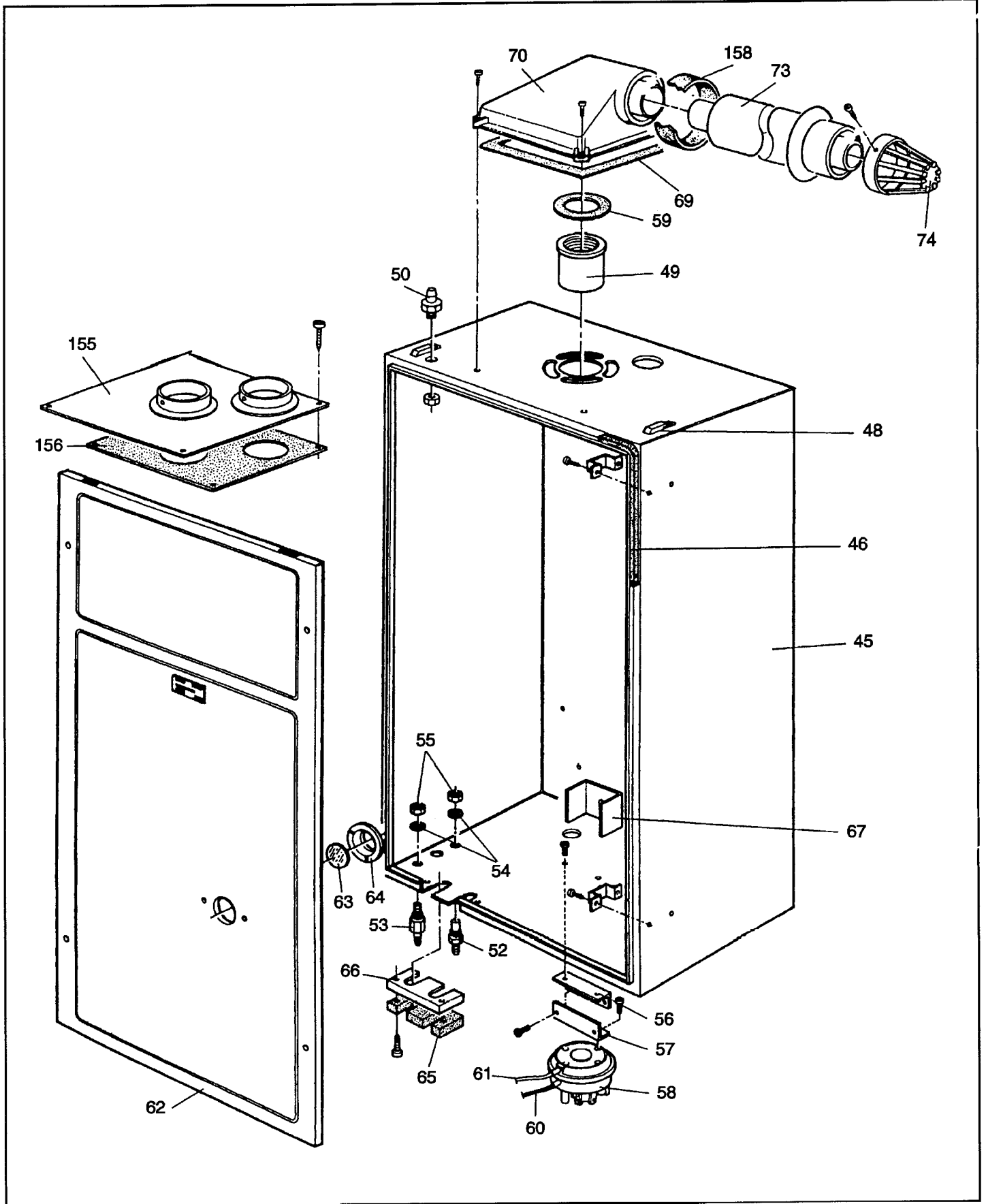


## CASING ASSEMBLY AND CONTROL BOX

### **Key G.C. No. Description**

3	386 821	Expansion vessel CH	811 770
6	372 304	Control box	812 820
13	372 224	Thermostat - boiler	801 260
15	372 225	Selector switch Gottak 46 RCTK	801 230
16	386 580	Gauge - temperature/pressure	800 300
17	372 302	Plate - connector blocks	817 530
18	408 780	Bush	814 860
21	397 811	Clock	800 510
22	297 079	Casing - side L/R	813 562
23	297 090	Hinge - L/H	810 053
24	297 080	Panel - front upper	813 568
25	297 088	Flap door - cover	813 573
26	372 307	Support - electric box	817 500
27	372 202	Frame - boiler	813 460
28	297 089	Panel - bottom	813 566
29	297 091	Hinge - R/H	810 052
30	372 219	Knob - boiler thermostat / selector switch	811 940
31	372 301	Cover - electric box	818 840
32	297 092	Panel facia	850 002
33	372 223	Ignition transformer	801 150
36	372 205	Bracket - upper CH expansion vessel	816 460
37	372 204	Bracket - lower	811 620
38	372 203	Pin - support	818 470
101	372 306	PCB - VMF 6.1S Honeywell	802 540
165	372 160	Connector block - Korner OK 432/3	813 870
166	372 228	Connector block - Electrogibi - 160ST	814 460
167	372 239	Wire clamping - Carpaneto 3079	814 850

# ROOM SEALED COMPARTMENT

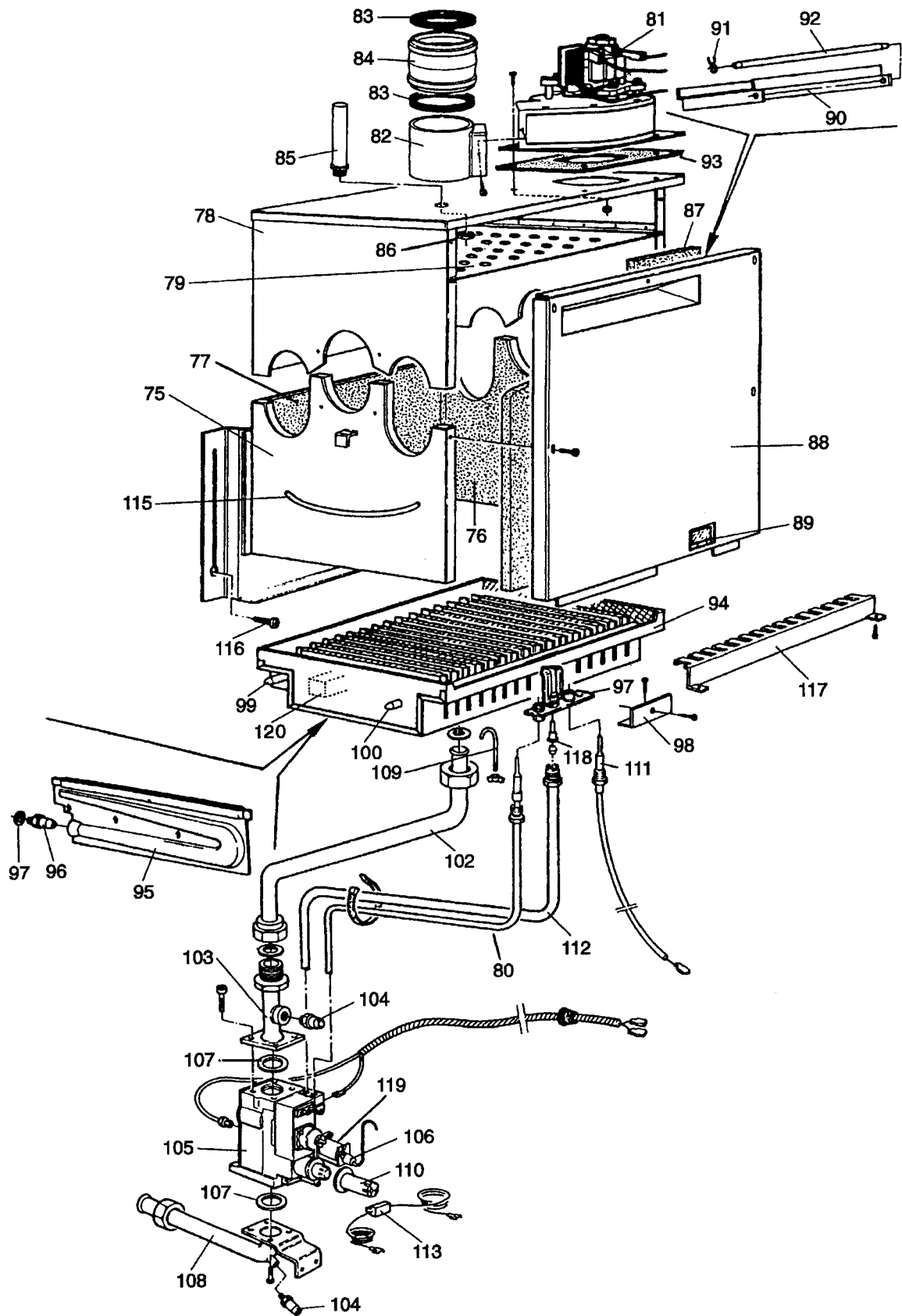


## ROOM SEALED COMPARTMENT

### Key G.C. No. Description

45		Room sealed compartment	871 960
46	372 234	Seal - room sealed compartment	800 530
48		Clip - buckle	800 380
49		Collar	804 060
50	372 232	Test point	810 280
51	372 233	Nut - for test point	818 430
52	372 378	Test point (air pressure)	810 240
53	372 379	Test point (flue pressure)	810 250
54		Washer - pressure test point	810 480
55		Nut - pressure test point	818 430
56		Support - upper - pressure switch	818 130
57		Support - lower - pressure switch	818 141
58	378 167	Air pressure switch - HUBA 602.99.146	800 140
59	372 270	Gasket (flue/air hood)	810 560
60		Pipe silicon (red)	815 210
61		Piipe silicon (white)	815 210
62	372 254	Cover - room sealed compartment	810 900
63	372 255	Glass - spy	815 240
64	372 256	Flange - spy glass	810 430
65	372 247	Packing	811 750
66	372 246	Plate	817 270
67		Support - burner	808 220
69	272 271	Seal	810 550
70	372 269	Hood (flue/air intake)	811 210
72A	372 275	Inner duct exhaust 60 x 1000mm	810 010
72B	372 276	Inner duct exhaust 60 x 2000mm	810 011
72C	372 277	Inner duct exhaust 60 x 3000mm	810 012
73A	372 272	Air intake duct 100 x 960mm	810 013
73B	372 273	Air intake duct 100 x 2000mm	810 014
73C	372 274	Air intake duct 100 x 3000mm	810 015
74	372 278	Terminal	800 570
155	372 365	Two pipe adaptor plate	825 080
156	372 366	Gasket	819 997
158	372 321	Sealing sleeve (flue hood to flue)	810 620

# GAS TRAIN AND COMBUSTION CHAMBER



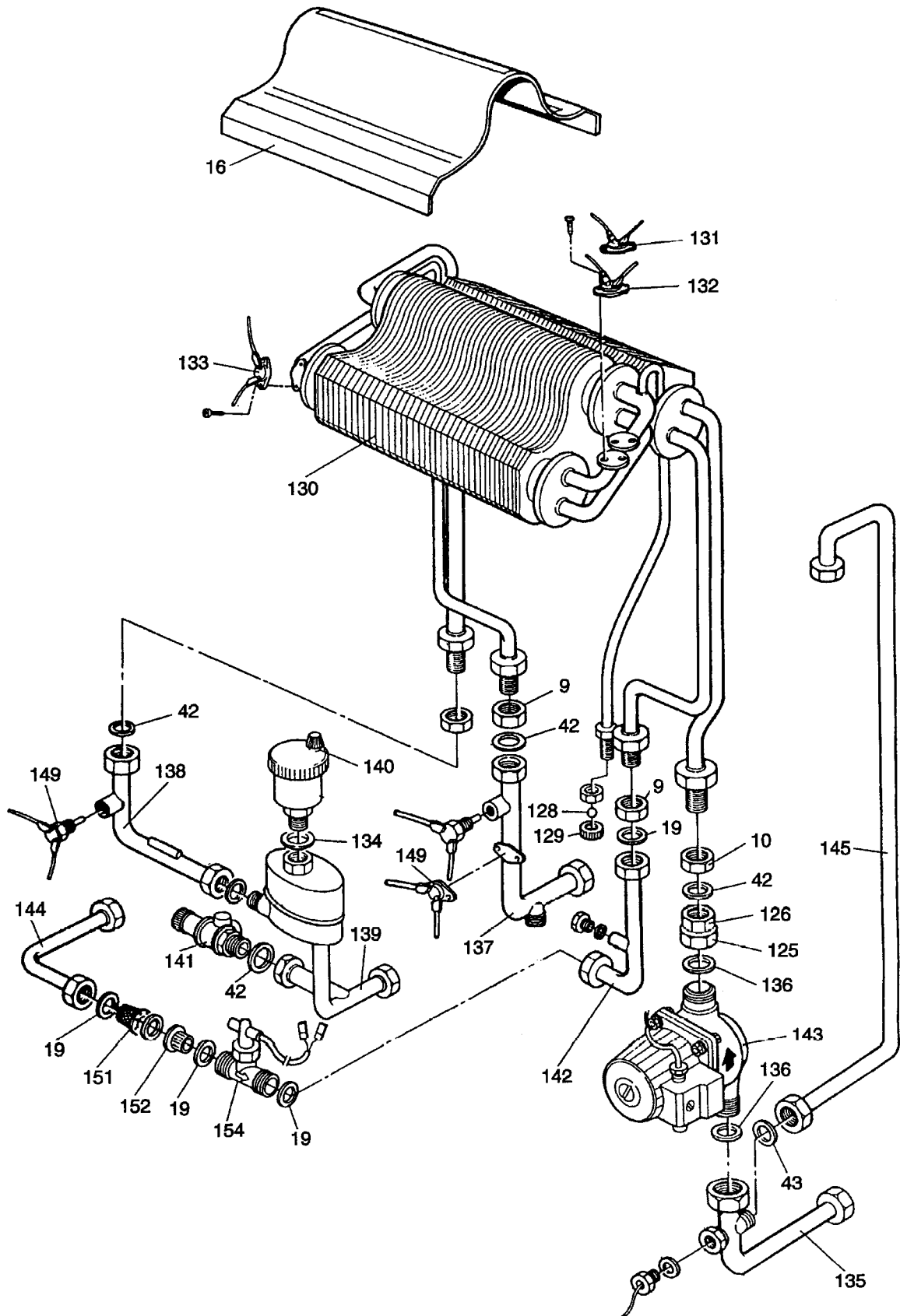


## GAS TRAIN AND COMBUSTION CHAMBER

### Key G.C. No. Description

75		Combustion chamber	871 770
76	372 124	Insulation - side - combustion chamber	815 280
77	372 125	Insulation - rear - combustion chamber	814 030
78		Flue - collector box	812 290
79		Flue outlet deflector	874 720
80	378 161	Termocouple Catobai - 712 209	801 490
81		Fan assembly	802 430
82		Fan/flue spigot	874 050
83		Gasket 80mm	810 760
84		Flue turret connector	874 070
85	297 021	Venturi	812 200
86	372 192	Nut - Venturi - ½"	817 880
87		Insulation - front - combustion chamber	816 720
88	297 038	Cover - combustion chamber C/W damper	802 440
89		Glass - spy - combustion chamber cover	815 250
90		Damper	Not Req
91		Locking spring	830 034
92		Damper pin 3 dia	801 085
93		Fan plate insulation	831 656
94	297 063	Burner assembly	802 910
95		Burner bar - Furigas	812 240
96		Injector - main NG	809 550
96A	297 043	Injector - main LPG 0.72	801 850
97	378 160	Pilot Polidor	812 870
98	372 391	Pilot bracket	818 900
99		Support - burner - rear	802 390
100		Support - burner - front	802 380
102		Pipe - gas valve to burner	842 930
103		Connector - C/W test point	810 330
104	372 232	Test point - gas	810 280
105	386 544	Gas valve Honeywell V8600N 2031	800 540
106	372 263	Tube - modulating balance	816 920
107	E06 413	Gasket	800 740
108		Pipe - inlet gas	844 096
109		Hook - burner fixing	802 270
110	372 290	Extension knob	811 840
111	372 370	Electrode - ignition	801 500
112	372 390	Pipe - pilot supply 6 x 1	810 800
113	372 320	Micro switch - ignition	801 370
115	386 170	Spring - hood fixing	813 030
116	372 203	Support pin	818 470
117		Frame - burner front	809 130
118	386 177	Injector pilot NG 0.27	810 820
119	397 955	Modulating regulator Honeywell V7335A	818 290
120	297 075	Manifold - C/W NG injectors	843 610
120A	297 076	Manifold - C/W LPG injectors 0.72	843 600

# HEAT EXCHANGER FOR CH AND DHW AND PIPES



## HEAT EXCHANGER FOR CH AND DHW AND PIPES

### Key G.C. No. Description

9	372 192	Nut - ½"	817 880
10	372 193	Nut - ¾"	817 430
16	E06 397	Exchanger frame	891 032
19	372 325	Gasket - 18.5mm	810 850
42	372 196	Gasket - 24mm	810 710
43	372 142	Gasket CH expansion vessel	810 690
125	372 281	Nut - pump 1½"	818 800
126	372 282	Pump connection	818 530
127	372 283	Nut M6 - heat exchanger vent	811 070
128	372 150	Sphere - heat exchanger vent	818 560
129	372 151	Cap - heat exchanger vent	818 550
130	372 245	Heat exchanger	802 170
131	386 828	Thermostat - frost Elmwood L14C	800 180
132	386 577	Thermostat - CH limit Elmwood 88°C	800 160
133	386 815	Thermostat - overheat 100°C Elmwood	801 240
134	372 180	Gasket - 'O' ring 3087	810 500
135	372 140	Pipe - CH return	819 060
136	372 153	Gasket - pump 45mm	810 160
137	372 323	Outlet pipe - domestic hot water	811 000
138	372 289	Pipe - CH flow to air separator	816 550
139	372 291	Separator - auto air vent	816 610
140	394 246	Auto air vent Caleffi 502N/A	801 160
141	386 816	Safety valve Caleffi 514	800 130
142	372 285	Pipe - flow switch to heat exchanger	810 140
143	386 814	Pump - Grundfos 15.50	800 600
144	372 288	Pipe - inlet to flow switch	819 050
145	372 286	Pipe - expansion vessel - CH	816 863
147	386 576	Thermostat - DHW limit 70°C Elmwood 2455RT	801 000
149	386 818	Sensor CH and DHW Philips KTY 81-110	800 310
150	372 177	Gasket 'O' ring 2037	810 530
151	372 147	Filter	800 240
152	386 829	Limiter	801 220
154	379 035	Flow switch - Caleffi ½" 315 NAO	800 120
		Users instructions	823 900
		Installation instructions	824 900