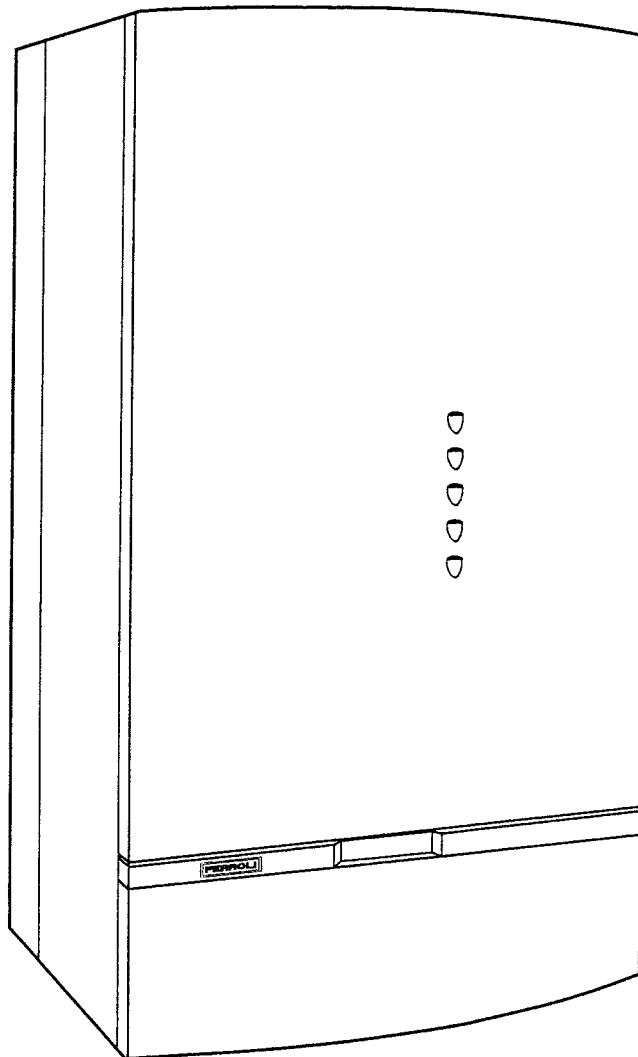
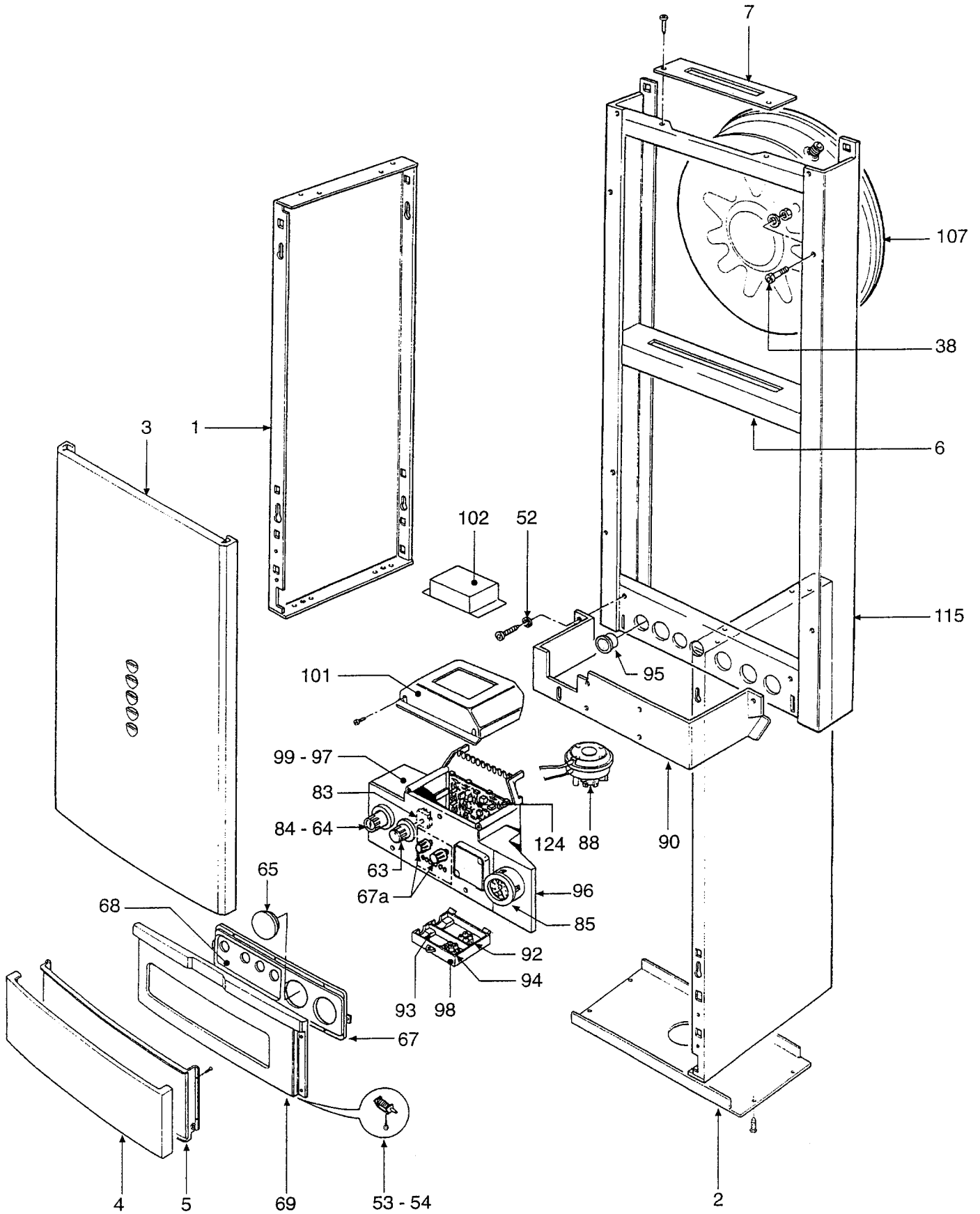


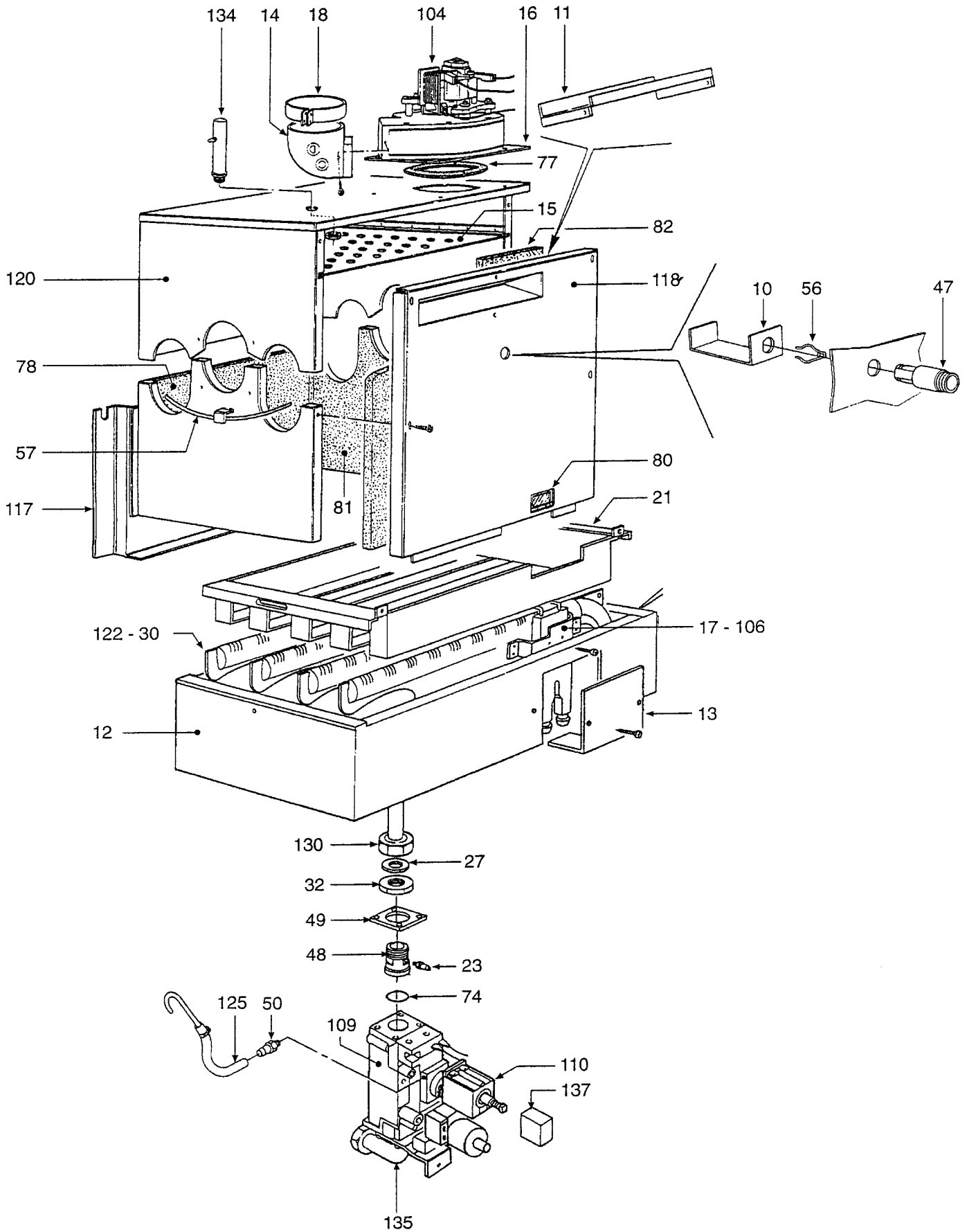
FERROLI

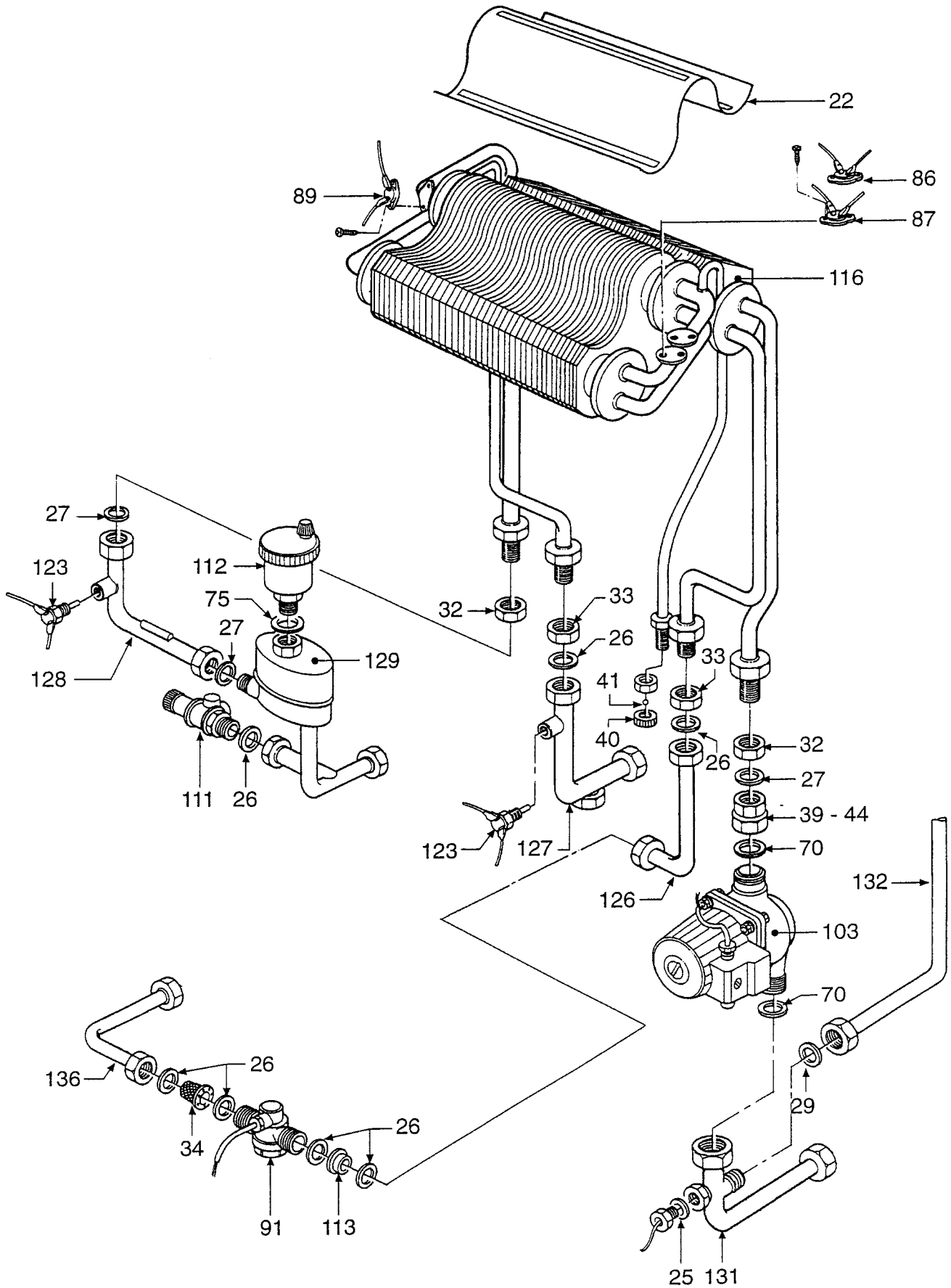
OPTIMA 801

- LISTA PEZZI DI RICAMBIO
- SPARE PART LIST
- ERSATZSTEILE
- LISTE PIECES DETACHES
- LISTA PIEZAS DE REPUESTO









FERROLI	OPTIMA 801	DATE; 1.02.99
----------------	-------------------	----------------------

KEY	ITALIAN		ENGLISH		Price
	Code No;	Description	Code No;	G.C.No;	
1	3113562/0	Reversible side panel, painted "white"	813562	297-079	
2	3113770/0	Casing bottom plate, painted "white"	813566	297-089	
3	3113568/0	Top front panel, painted "white"	803600	297-080	
4	3113573/0	Bottom front panel, painted "white"	813573	297-088	
5	3113574/0	Front panel reinforcement, painted "white"	813574	297-087	
6	3120625/0	Bracket, expansion tank	811620	372-204	
7	3120646/1	Bracket, expansion tank fitting	816460	372-205	
8	3120727/0	Plate for pilot burner pipes	817270	372-246	
9	3120766/0	Control box support bracket	817500	372-307	
10	3120886/0	Bracket for chimney sweeping probe	811860	E05-908	
11	3200176/0	Air inlet rocker (comes with 802140)	802440	297-038	
12	3200218/0	Combustion chamber lower case	810880	372-129	
13	3211318/0	Spark electrodes door	811318	E06-521	
14	3211405/1	Flue gasses outlet bend, aluminium (see104)			
15	3211472/0	Flue gasses baffle plate	806472		
16	3211626/0	Type "A" fan holding plate (see 104)			
17	3220233/0	Spark electrode support	817900	372-172	
18	3270042/0	Flue gasses seal between cover and fan unit	800420	E05-914	
19	3270043/0	Flue fitting, cover/fan connection	811430	E05-915	
20	3270044/0	100 mm dia aluminium air intake plug	817440	E05-916	
21	3290805/0	Burner baffle grill	818050	372-258	
22	3291100/0	Heat exchanger flue gasses baffle (20 mm)	806100	E05-917	
23	3340028/0	Pressure test point, 1/8" M conical fitting	810280	372-232	
24	3340087/0	Pressure test point, 1/8" M cyl fitting	810280	372-232	
25	3370038/1	Gasket 1/4"	810380	372-250	
26	3370040/1	Gasket 1/2"	810850	372-325	
27	3370041/1	Gasket 3/4"	817430	372-193	
28	3370048/0	Gasket e 16	810480	372-259	
29	3370053/0	Gasket 3/8"	810690	372-242	
30	3400566/0	Injector 1.35 dia (LPG)	815870	E03-312	
30	3400585/0	Injector 2.10 dia (natural gas)	815850	372-176	
31	3400732/0	Female plug, 1/2"	Not req		
32	3400743/0	Ring nut, 3/4"	817430	372-193	
33	3400788/0	Ring nut, 1/2"	817880	372-192	
34	3400808/0	Flanged cone filter for 1/2" fitting	800240	372-142	
35	3400839/0	Nut 1/2"	Not req		
36	3400840/0	Nut 3/4"	Not req		
37	3400843/0	Ring nut for pressure test point, 1/8"	818430	372-233	
38	3400847/2	Pin for slot-type coupling M4	818470	372-203	
39	3400853/0	Pump coupling	813530	372-282	
40	3400855/0	Plug for air vent pipe	818550	372-151	
41	3400856/0	Ball for air vent pipe	818560	372-150	
44	3400880/0	Union nut 1*	818880	372-281	
45	3401024/0	Pressure test point "air"	810240	372-378	
46	3401025/0	Pressure test point "flue gasses"	810250	372-379	

FERROLI	OPTIMA 801	DATE; 1.2.99
----------------	-------------------	---------------------

KEY	ITALIAN		ENGLISH		Price
	Code No;	Description	Code No;	G.C.No;	
47	3401091/2	Flue gasses test point bush	810912	E05-933	
48	3401097/0	Coupling downstream of gas valve	806097	E06-460	
49	3401098/0	Gas valve coupling plate			
50	3401106/0	Pressure test point for modulating coil	811060	E05-934	
51	3410043-1	Frame for inspection window glass piece	810430	372-256	
52	3410050/0	Plate, C72 Oteco	Not req		
53	3410052/0	Casing right-hand hinge	810052	297-091	
54	3410053/0	Casing left-hand hinge	810053	297-090	
55	3430035/0	Cable clamp spring	Not req		
56	3430036/0	Spring for flue gasses test point	800360	E05-934	
57	3440303/0	Draft diverter fixing rod	813030	372-170	
58	3450437/0	Flat washer for 1/2" fitting	810850	372-325	
59	3450438/0	Flat washer for 3/4" fitting	810710	372-196	
60	3450439/0	Stop ring, 1/2"	Not req		
61	3450440/0	Stop ring, 3/4"	Not req		
62	3510175/0	Gasket for pilot burner pipes	811750	372-247	
63	3500180/0	Instruments knob "white" ABS	811800	372-220	
64	3500301/0	Reset pushbutton knob	811703	297-047	
65	3500404/0	Hole plug "grey" ABS	800404	E11-711	
67	3500411/0	Frame for instrument panel, "grey" ABS	803580	E05-944	
67a	3500489/0	Potentiometer knob ABS	800407	E06-440	
68	3500526/1	Stencilled insert (see 67)	803580	E05-944	
69	3500410/0	Stencilled instrument panel (see 67)	803580	E05-944	
70	3510016/0	Gasket for 1* 1/2" fitting	810160	372-194	
71	3510034/2	Gasket 34 dia	Not req		
72	3510042/0	O-Ring 3043 for 1/2" fitting	Not req		
73	3510043/0	O-Ring 3062 for 3/4" fitting	Not req		
74	3510046/0	O-Ring 130	Not req		
75	3510050/0	O-Ring 3087	810500	372-180	
76	3510100/0	Gasket for 80 mm dia tube (air intake)	810000	E05-949	
77	3510102/0	Fan plate gasket (sold with 800440)	Not req		
78	3531403/0	Combustion chamber rear insulation	814030	372-125	
79	3531524/0	Glass piece for 30 mm dia inspection window	815240	372-255	
80	3531525/0	Glass piece for inspection windows	815250	297-028	
81	3531528/3	Combustion chamber side insulation	815280	372-124	
82	3531672/0	Combustion chamber closing panel insulation	(sold with	297-038	
83	3610024/0	Three-way switch	801230	372-255	
84	3610033/0	Unipolar reset illuminated pushbutton	Not req		
85	3640074/0	Thermohydrometer	810870	E03-349	
86	3640128/0	Limit thermostat	800180	386-828	
87	3640139/0	Minimum level thermostat	800160	386-577	
88	3640140/0	Air pressure switch, Kromsch	800140	378-168	
88	3640162/0	Air pressure switch, Huba	800140	378-168	
89	3640170/0	Safety thermostat	801240	386-815	
91	3640186/0	Flow meter	803430	E05-340	

FERROLI	OPTIMA 801	DATE; 1.2.99
----------------	-------------------	---------------------

KEY	ITALIAN		ENGLISH		Price
	Code No;	Description	Code No;		
92	3650109/0	Two-stud terminal block	814460	372-159	
93	3650161/0	Cable gripper	814850	372-329	
94	3650387/0	Three-stud terminal block	813870	372-160	
95	3650489/0	Grommet	814860	408-780	
96	3650498/0	Plastic wiring box	812820	297-046	
98	3650501/0	Power line terminal block cover	817530	372-302	
99	3650537/0	Electronic control unit	Not req		
100	3650598/0	Dual-tab earthing rivet	Not req		
101	3650601/0	Control box cover	806010	E05-963	
102	3650602/0	Air pressure switch protection cover	806020	E05-964	
103	3660108/0	Pump, fers 25/65R 130 9K wilo	800600	386-814	
104	3660106/0	Fan	800440	372-241	
104	3660109/0	Fan EBM	800440	372-241	
105	3670182/3	Flame detection electrode	801430	397-045	
106	3670196/1	Spark electrode	801650	397-044	
107	3680177/0	Circular expansion tank 71	811770	386-821	
108	3680221/0	Adapter (LPG)	Not req		
109	3680253/0	Gas valve, VR 4605 NA Honeywell	802530	E03-853	
110	3680254/0	Modureg	818289	E05-970	
111	3690066/0	Safety valve, 1/2"	800130	386-816	
112	3690088/0	Automatic air valve, 1/2"	801160	390-246	
113	3690127/0	Flow rate regulator 7L	801250	379-987	
115	3710418/0	Boiler support frame, complete	813460	E05-971	
116	3740092/1	Complete heat exchanger	802170	372-245	
117	3740177/0	Complete combustion chamber	871770	297-054	
118	3740219/0	Combustion chamber closing panel, complet	802440	297-038	
119	3751310/0	Room sealed compartment closing panel, co	813100	E05-975	
120	3751354/0	Complete smoke box	812290	297-055	
121	3751394/0	Complete room sealed compartment	802940	E05-975	
122	3760709/0	Upturned Venturi burner	817090	372-171	
123	3831080/7	Complete temperature sensor	800310	386-818	
124	3831671/0	Electronic board, VMF7, complete	803410	E03327	
124a	3831686/0	Electronic board, CP2, complete	802560	379-621	
125	3840437/0	Modulating coil pressure test point pipe	804370	E05-980	
126	3844320/0	D.H.W. flow switch connection pipe	819140	372-285	
127	3843654/4	D.H.W. flow pipe	811000	372-284	
128	3843655/1	Flow pipe between heat exchanger and air se	816550	372-289	
129	3843661/1	Air separator	816610	372-139	
130	3843662/1	Gas manifold unit, complete	813190	372-261	
131	3840516/0	System return pipe	805160	E06-399	
132	3843683/3	Expansion tank connection pipe	816863	372-286	
134	3844220/2	Venturi assembly	812200	297-021	
135	3844445/0	Pipe upstream of gas valve	810960	372-316	
136	3843660/1	D.H.W. inlet pipe	819050	372-288	
137	3941015/0	Modureg cover	818289	E05-970	

