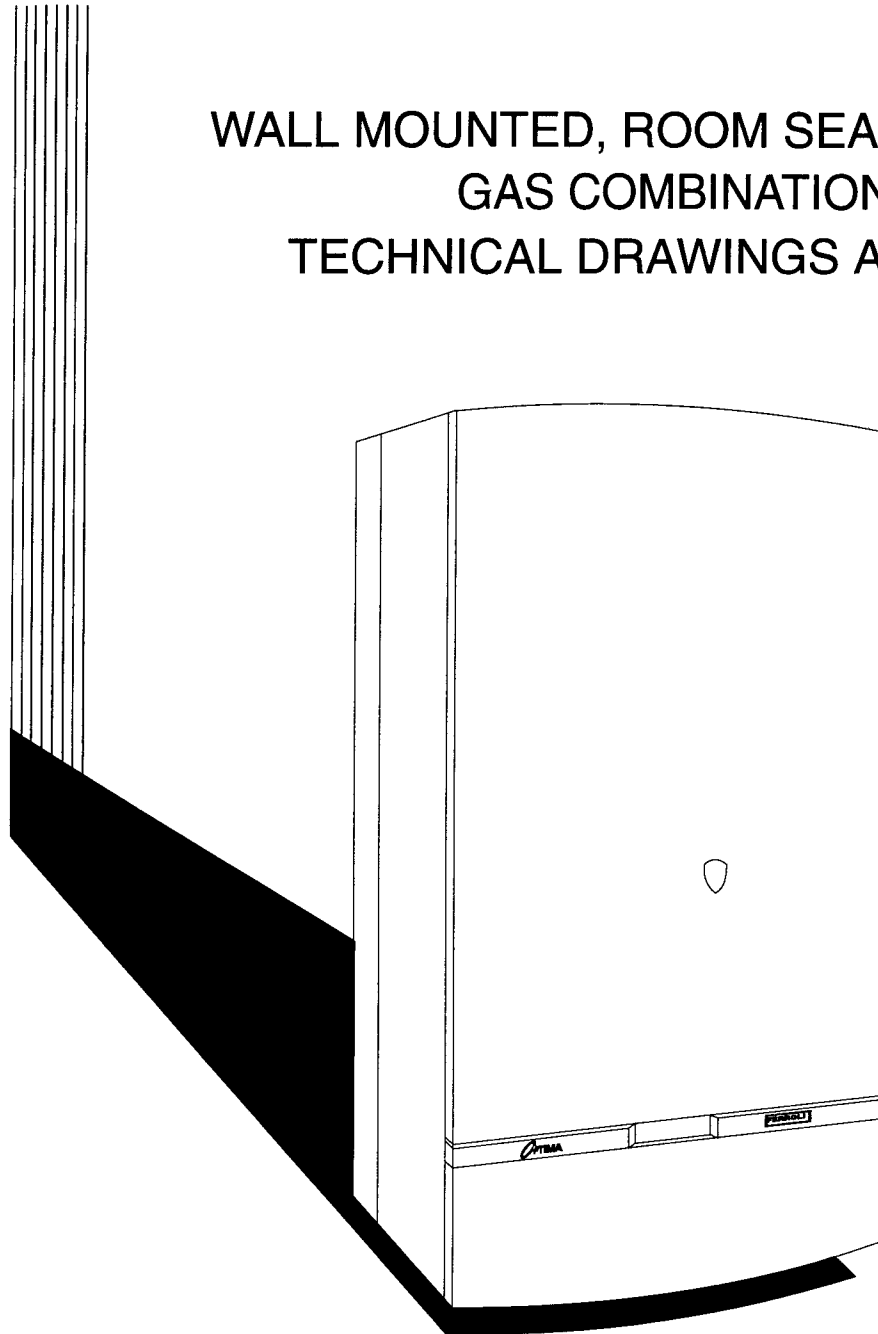




FERROLI OPTIMA 800

WALL MOUNTED, ROOM SEALED, FAN ASSISTED
GAS COMBINATION BOILER
TECHNICAL DRAWINGS AND PARTS LIST

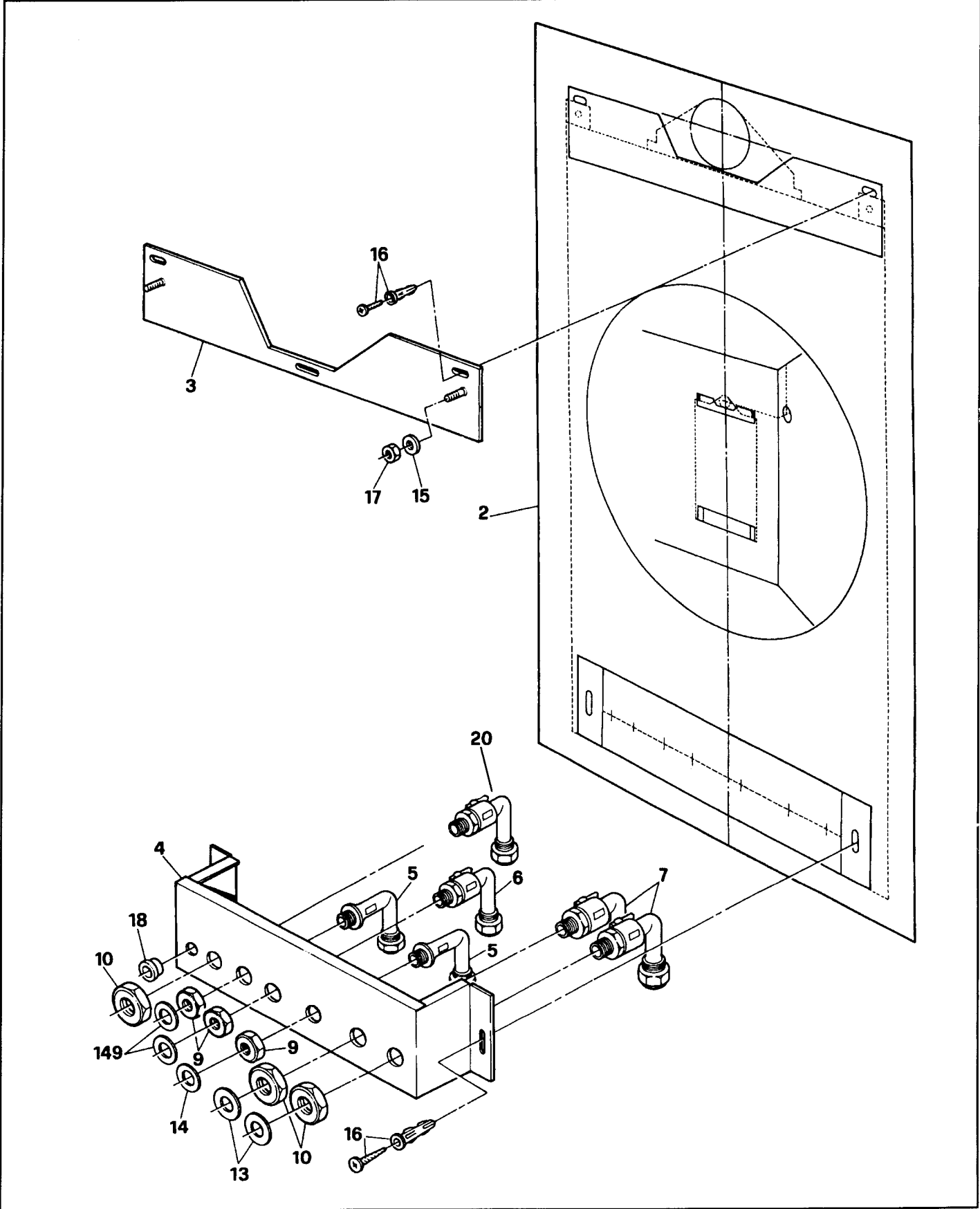


WRC. No. 9207075



ALL SPECIFICATIONS SUBJECT TO CHANGE

JIG BRACKET AND COCKS

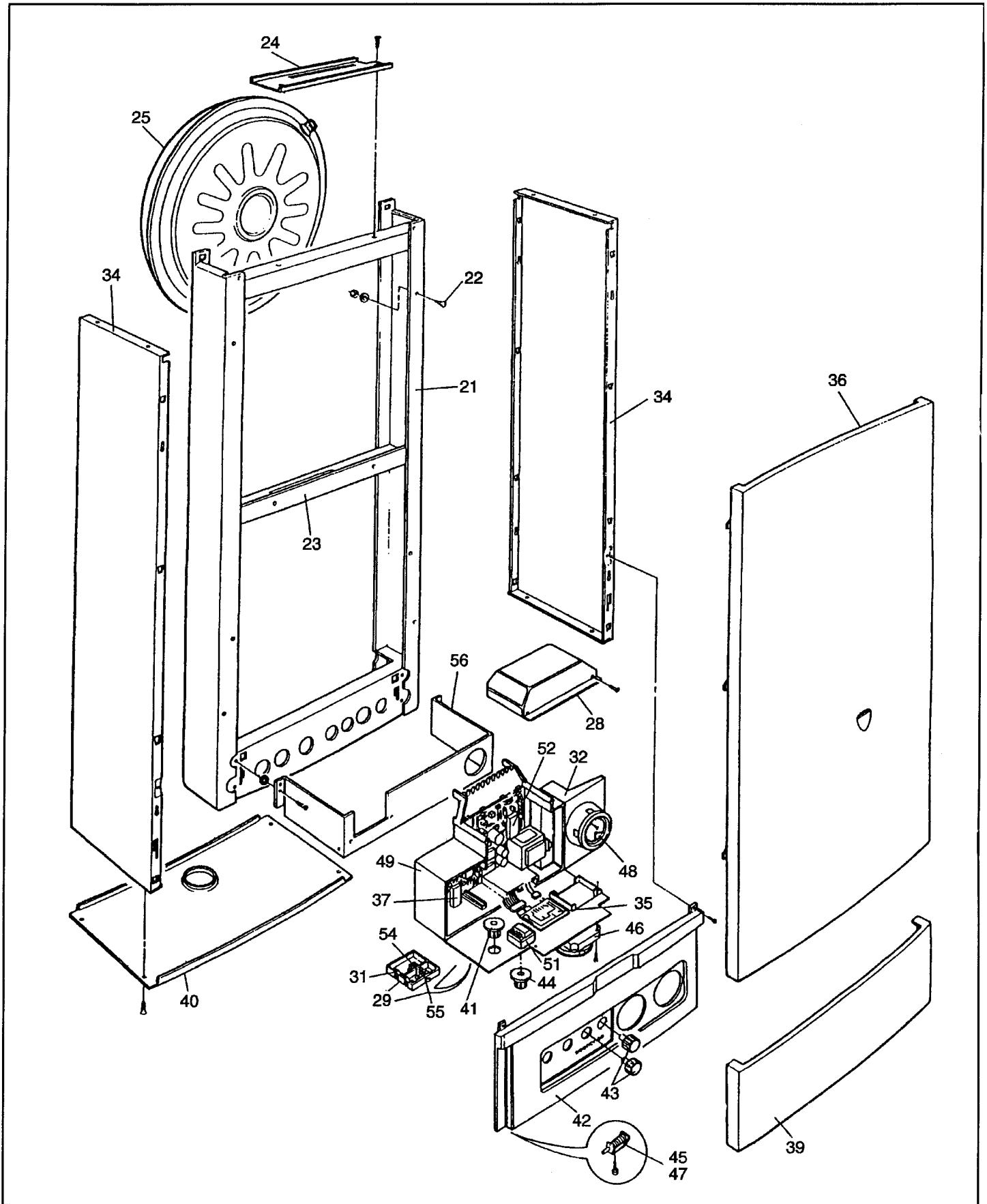


JIG BRACKET AND COCKS

Key G.C. No. Description

2	373 295	Template	817 600
3	372 185	Support plate (top jig bracket)	813 530
4	372 187	Pipe fitting support (bottom jig support)	816 430
5	372 296	Elbow - ½" (on bottom jig bracket)	811 310
6	372 297	Cock - Comisa FE - 15mm	811 290
7	372 298	Cock - Comisa - 22mm	811 300
9	372 192	Nut - ½" (on bottom jig bracket)	817 880
10	372 193	Nut - ¾" (on bottom jig bracket)	817 430
13	372 196	Gasket - 24mm diameter	810 710
14	372 149	Connection gasket - ½"	810 850
15	372 197	Plain washer - 24mm diameter	814 720
16	372 198	Wall screw kit	816 980
17	372 199	Nut - M8 (for fixing boiler to top jig)	812 000
18	408 780	Short insulation bushing - black nylon - Heyco 2850 - UL/CSA description B-875-750 - inside diameter 19mm - mounting hole diameter 22.2mm	814 860
20	372 373	Gas cock - Comisa 22mm	811 295
149	372 325	Gasket - 18.5mm diameter	810 850

CASING ASSEMBLY AND CONTROL BOX

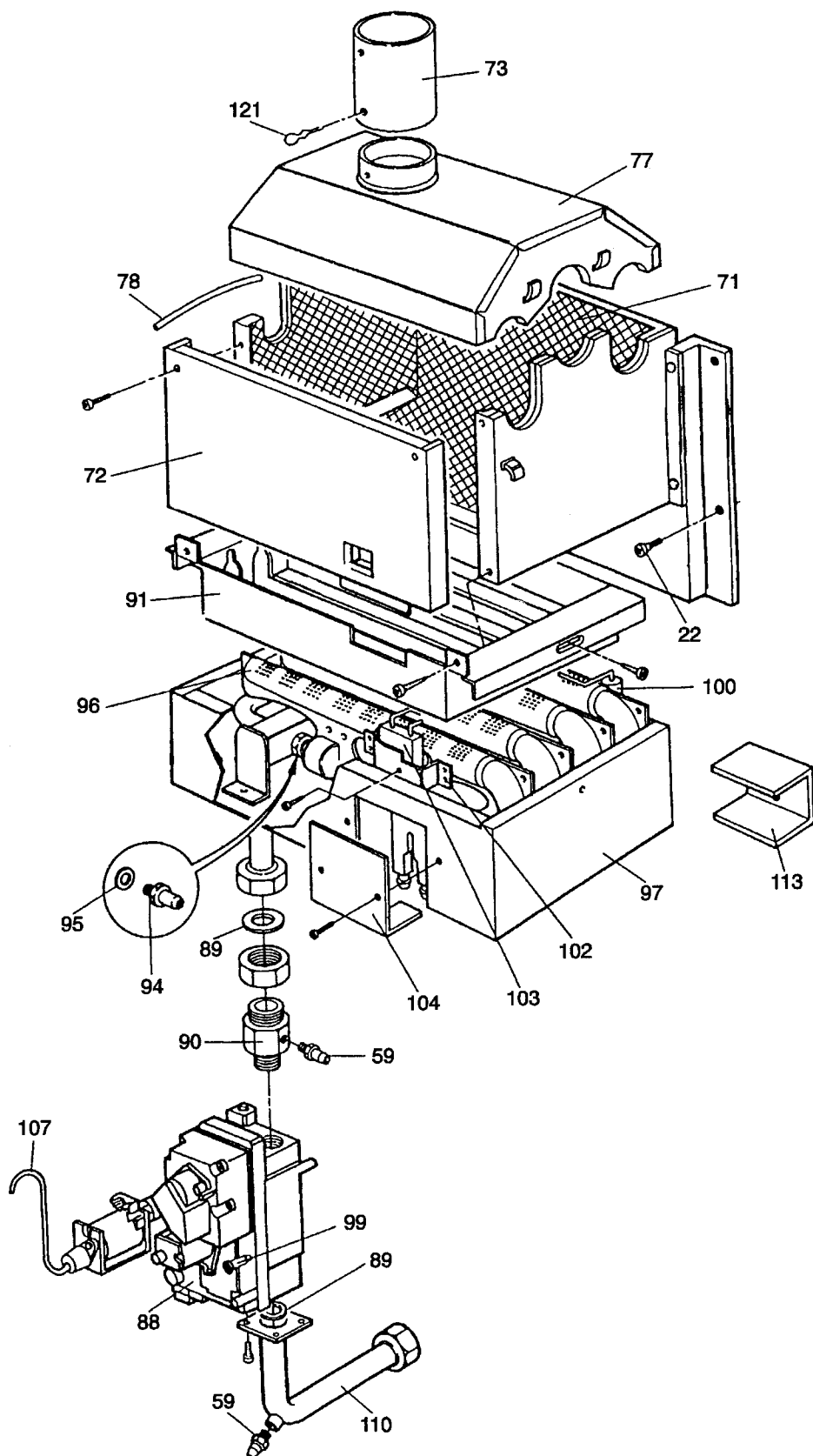


CASING ASSEMBLY AND CONTROL BOX

Key G.C. No. Description

21	E05 971	Boiler frame	810 418
22	372 203	Support pin	818 470
23	372 204	Expansion vessel bracket	811 620
24	372 205	Expansion vessel bracket	816 460
25	386 821	Expansion vessel - Zilmet type 387 - 7 litres	811 770
26	372 142	Expansion vessel gasket	810 690
27	372 300	Protecting cover	818 850
28	372 301	Electric box cover	818 840
29	372 302	Connector blocks plate	817 530
31	372 329	Wire clamping - Carpaneto 3079	814 850
32	297 046	Electric box	814 980
33	372 211	Bush - around gas ignition/off knob	811 830
34	297 079	Jacket side - right - left	813 562
35	E06 405	Fault diagnostic/temperature control panel CPI	803 110
36	E11 868	Front panel - upper	813 568
37	379 621	Automatic ignition panel Honeywell S4561A 1015	802 560
39	297 088	Flap door - complete	813 573
40	297 089	Bottom panel	813 566
41	297 047	Knob reset	811 703
42	E05 904	Facia panel	850 003
43	E05 440	Knob - CH/DHW thermostats	800 407
44	372 220	Selector knob - central heating	811 800
45	297 090	Hinge L/H	810 053
46	386 812	Timer clock - Deihl 8822-009/03702 7 day	803 840
46A	397 812	Time clock 24hr model	812 800
47	297 091	Hinge R/H	810 052
48	386 580	Thermohidrometer - Gruter 943	800 300
49	E06 442	Electric box extension	850 500
50	372 224	Thermostat - Piher T21 x A 10KA central heating	801 260
51	372 225	Selector switch - Gottak 46 RCTK	801 230
52	E06 518	Main printed circuit board - Ferroli VMF 6.1S Honeywell	803 100
54	372 228	Connector block - Elettrogibi - 160 ST	814 460
55	372 160	Connector block - Korner OK.432/3	813 870
56	372 307	Electric box support	817 500

GAS TRAIN AND COMBUSTION CHAMBER



GAS TRAIN AND COMBUSTION CHAMBER

Key G.C. No. Description

10	372 193	Nut - 3/4" on bottom jig bracket	817 430
59	372 232	Test points on boiler	810 280
71	372 311	Combustion chamber complete - upper	811 870
71A	372 124	Insulation - side	815 280
71B	372 125	Insulation - back	814 030
72	372 134	Combustion chamber cover	810 910
72A	372 135	Insulation - combustion chamber cover	815 300
73	372 244	Collar - flue pipe to exchanger hood	812 860
77	372 248	Smoke chamber hood	811 530
78	372 170	Smoke chamber fastening spring	813 030
88		Gas valve Honeywell VR4605 NA 2007 1/2"	802 530
89	372 197	Washer 24mm	814 720
90	297 067	Connector C/W test point	810 330
91	372 258	Burner frame	818 050
92	372 314	Gas manifold complete	810 930
93	372 171	Burner	817 090
94	372 176	Injector - 2.10	815 850
95	372 259	Gasket - injector - 15mm diameter	810 480
96	372 172	Burner	817 900
97	372 129	Combustion chamber - bottom	810 880
99	E06 520	LPG adaptor Honeywell 45 900 428 001	880 221
100	297 045	Electrode - flame sensing	801 430
102	297 071	Electrode ignition - support	808 090
103	297 044	Electrode ignition ART 784243 cast Monte Morenzo	801 650
104	E06 521	Flap - cover	811 318
107	372 263	Modulating balance tube	816 920
108	372 264	Gasket - 'O' ring 112	810 520
110	372 316	Inlet gas pipe to gas valve	810 960
113	372 319	Combustion chamber support	817 480
121	372 322	Spring	810 290

ROOM SEALED COMPARTMENT

Key G.C. No. Description

57	372 308	Room sealed compartment	811 450
58	372 231	Connecting piece for pressure switch	818 540
59	372 232	Test points on boiler	810 280
60	372 233	Nut - for test point	818 430
61	372 234	Packing - Maxgomma - type POR 303	800 530
62	372 235	Packing - Maxgomma - type POR 303	800 530
63	372 238	Damper Assembly	814 360
64	-	Damper - for air by-pass damper	SEE 63
65	-	Nut - M4 - autolocking	SEE 63
66	-	Bush - for damper	SEE 63
67	-	Nut - for damper	SEE 63
68	372 241	Fan assembly	800 440
75	372 246	Plate	817 270
76	372 247	Packing	811 750
81	372 251	Support plate	816 420
82	378 167	Pressure switch - HUBA 602.99.146	800 140
83	372 252	Pressure switch injector - 0.65 diameter	818 770
84	372 253	Silicone pipe - 4mm inside diameter x 7mm external diameter	813 390
85	372 254	Room sealed cover - complete	810 900
86	372 255	Spy glass - for pilot view	815 240
87	372 256	Flange - spy glass	810 430
111	372 317	Cleaning rod	818 780
114	372 269	Flue - air intake hood	811 210
115	372 270	Gasket - for flue-air hood	810 550
116	372 271	Gasket - for flue-air hood	810 560
117A	372 272	Outer air intake duct - 100 x 960mm long	810 013
117B	372 273	Outer air intake duct - 100 x 2000mm long	810 014
117C	372 274	Outer air intake duct - 100 x 3000mm long	810 015
118A	372 275	Inner flue duct - 60 x 1000mm long	810 010
118B	372 276	Inner flue duct - 60 x 2000mm long	810 011
118C	372 277	Inner flue duct - 60 x 3000mm long	810 012
119	372 278	Flue terminal - outside	800 570
120	372 321	Sealing sleeve air duct to flue hood	810 620
155	372 365	Two pipe adaptor plate	825 080
156	372 366	Gasket	819 997

HEAT EXCHANGER FOR CH AND DHW AND PIPES

Key G.C. No. Description

9	372 192	Nut - ½" - on bottom jig bracket	817 880
10	372 193	Nut - ¾" - on bottom jig bracket	817 430
13	372 196	Gasket - 24mm diameter	810 710
14	372 149	Connection gasket - ½"	810 850
26	372 142	Expansion vessel gasket	810 690
48	386 580	Thermohidrometer - Gruter 943	800 300
74	372 245	Heat exchanger	802 170
79	372 249	Spring strip - to hold phial in pocket	811 350
80	372 250	Gasket - 11mm diameter	810 380
121	372 322	Spring - for thermostat fixing	810 290
122	386 815	Overheat cut-off thermostat - Elmwood 2455RT 147B 203S - 100°C	801 240
123	386 828	Frost thermostat - Elmwood L14C98/703-398	800 180
124	386 577	Limit thermostat 85° - Elmwood 2455T-147B-2035-85R central heating	800 160
125	372 281	Pump connection nut - 1½"	818 800
126	372 282	Pump connection	818 530
127	372 283	Nut - M6 - for heat exchanger vent pipe	811 070
128	372 151	Cap - for heat exchanger vent pipe	818 550
129	372 150	Vent pipe sphere	818 560
130	372 291	Air vent separator	816 610
131	394 246	Automatic air vent - Caleffi 502N/A - 3/8" with 'O' ring	801 160
132	386 816	Safety valve - Caleffi 514 central heating	800 130
133	372 180	Gasket - 'O' ring	810 500
134	386 814	Pump - Grundfos UPS 15-50 x 18 9K	800 600
135	372 140	Return pipe central heating	819 060
136	372 153	Pump gasket - 45mm diameter	810 160
138	372 323	Outlet pipe - domestic hot water	811 000
139	386 576	Limit thermostat 70°C - Elmwood 2455RT 147B 2035 domestic hot water	801 000
140	372 146	Screw cap - ½" - female	817 320
141	372 324	Expansion vessel gasket - DHW	810 870
142	372 285	Pipe - out of cold flow switch valve	819 140
144	372 177	Gasket 'O' ring - 2037 - on autovent cap	810 530
145	372 286	Expansion vessel pipe	816 863
146	386 818	Temperature sensor - Philips KTY 81-110	800 310
147	372 177	Gasket 'O' ring 2037 temperature sensor	810 530
148	372 147	Inlet filter	800 240
149	372 325	Gasket - 18.5mm diameter	810 850
150	386 829	Flow limiter - Manesshan NR05/10 GS - 10 LT/min **	801 220
151	372 288	Inlet pipe - domestic hot water	819 050
152	379 035	Flow switch Caleffi ½" paddle switch	800 120
153	372 289	Pipe heating flow to air separator	816 550
		Users instructions	823 800
		Installation instructions	824 800
**		Also available 7 litre limiter	801 250