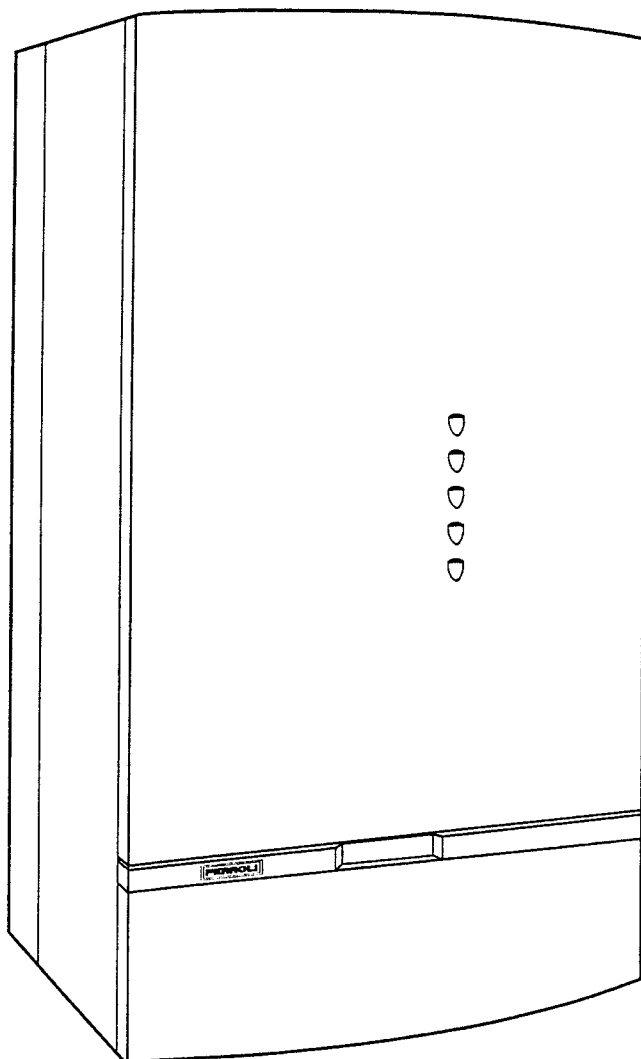


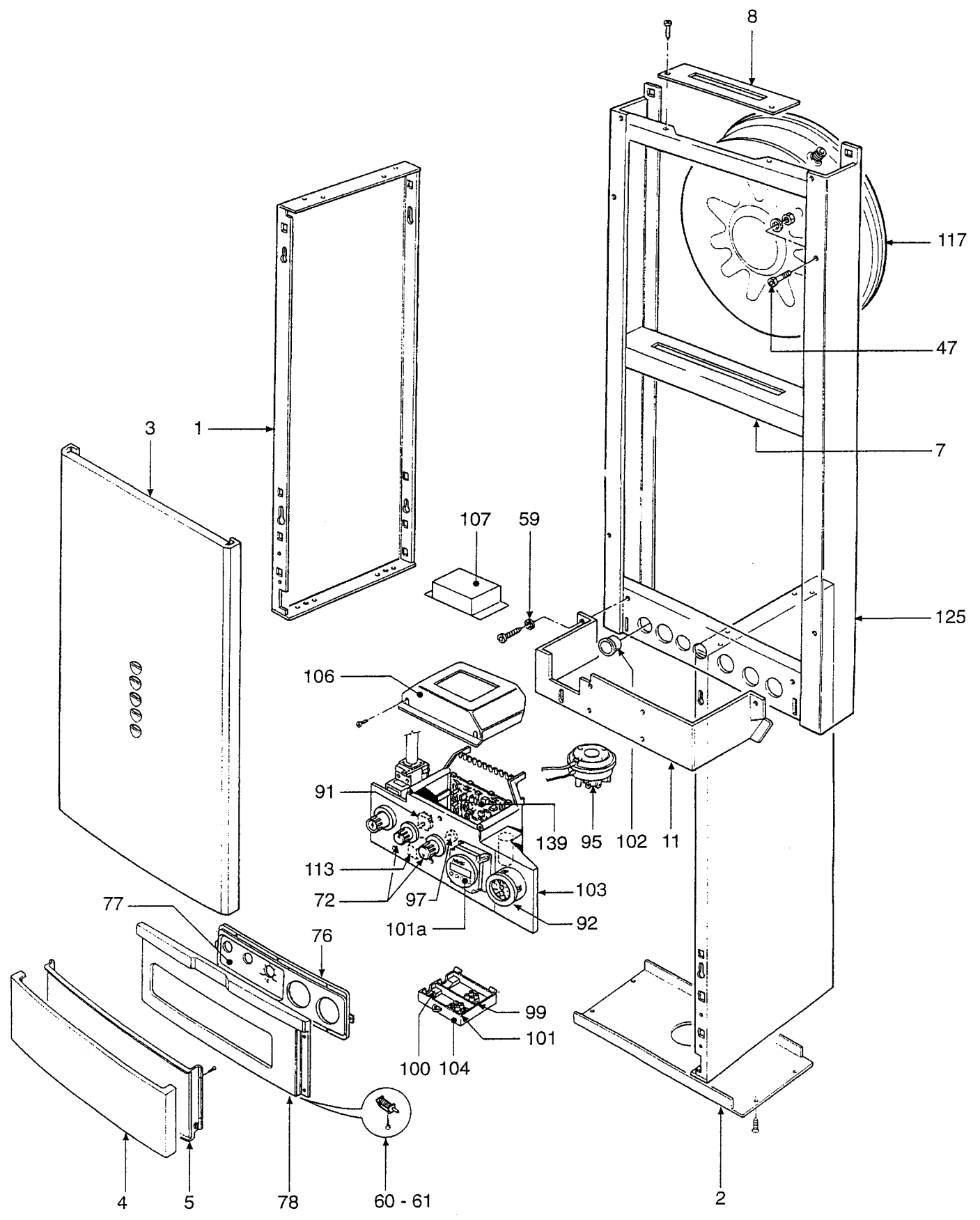
# FERROLI

## OPTIMA 701

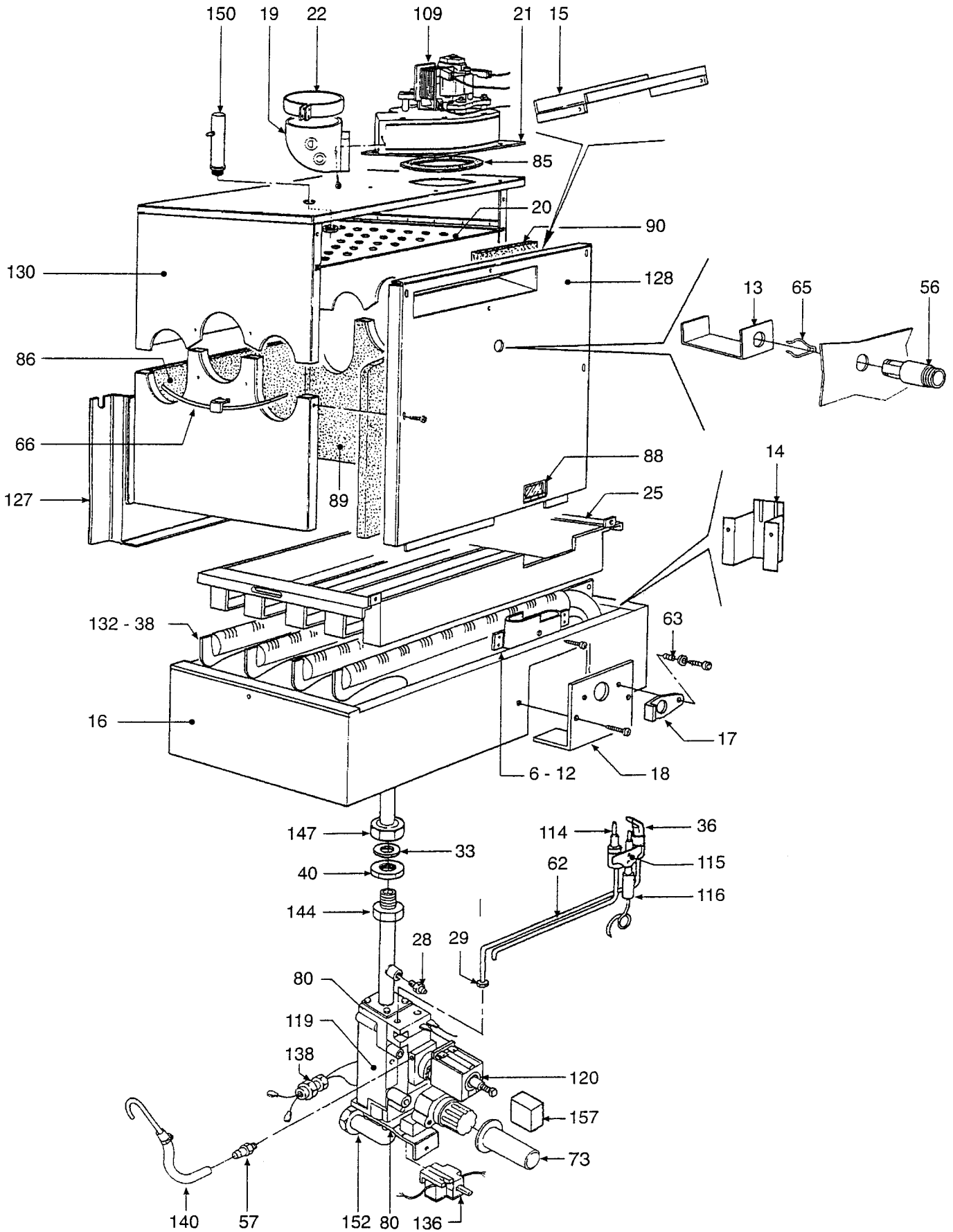
- LISTA PEZZI DI RICAMBIO
- SPARE PART LIST
- ERSATZSTEILE
- LISTE PIECES DETACHES
- LISTA PIEZAS DE REPUESTO

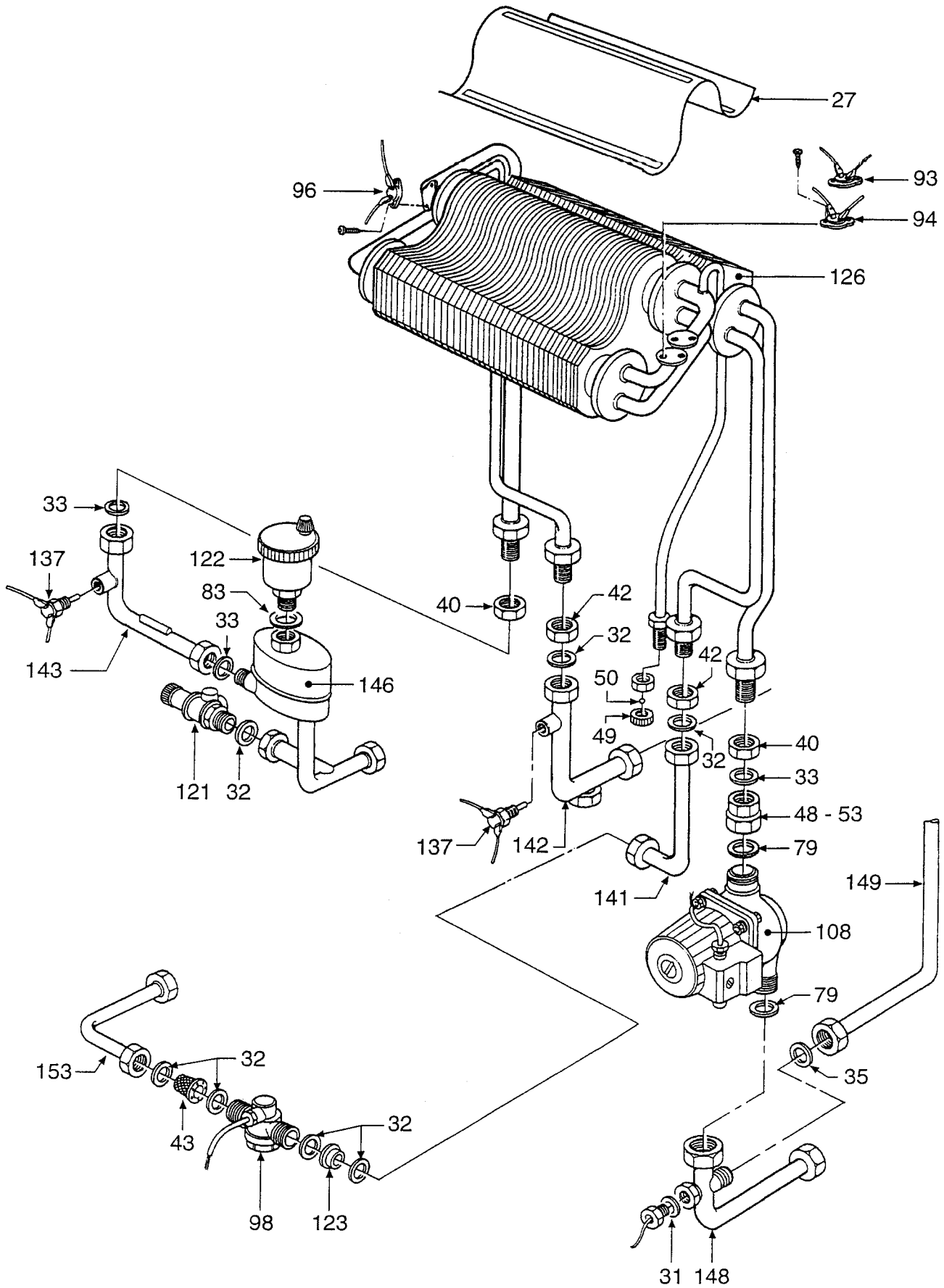


Appr. nr. B94.02 T - CE 0063 AQ 2150









FERROLI	OPTIMA 701	DATE; 1.2.99
---------	------------	--------------

KEY	ITALIAN		ENGLISH		Price
	Code No;	Description	Code No;	G.G.No	
1	3113562/0	Reversible side panel, painted "white"	813562	297-079	
2	3113770/0	Casing bottom plate, painted "white"	813566	297-089	
3	3113568/0	Top front panel, painted "white"	803600	297-080	
4	3113573/0	Bottom front panel, painted "white"	813573	297-088	
5	3113574/0	Front panel reinforcement, painted "white"	813574	297-087	
6	3120617/0	Fastening plate, pilot burner support (sold with	Not req"	Cancel	
7	3120625/0	Bracket, expansion tank	811620	372-204	
8	3120646/1	Bracket expansion tank fixing	816460	372-205	
10	3120727/0	Plate for pilot burner pipes	817270	372-246	
11	3120766/0	Control box support bracket	817500	372-307	
12	3120842/0	Pilot burner support	817900	372-172	
13	3120886/0	Bracket for chimney sweeping probe	811860	E05-908	
14	3120954/0	Pilot burner protection plate	Not req"	Cancel	
15	3200199/0	Air inlet rocker (comes with 802440)	802440	297-038	
16	3200218/0	Combustion chamber lower case	810880	372-129	
17	3211171/0	Inspection door	811710	372-132	
18	3211269/0	Pilot burner hole closure	813690	372-131	
19	3211405/1	Flue gases outlet bend aluminium see104	Sold with 104		
20	3211472/0	Flue gases baffle plate 31 holes	806472	E05-912	
21	3211626/0	Type "A" fan holding plate see104	Sold with 104		
22	3270042/0	Flue gases seal between cover and fan unions	800420	E05-914	
23	3270043/0	Flue fitting, cover/fan connection	811430	E05-915	
24	3270044/0	100 mm aluminium air intake plug	817440	E05-916	
25	3290805/0	Burner baffle grill	818050	372-258	
27	3291100/0	Heat exchanger flue gases baffle (20mm)	806100	E05-917	
28	3340028/0	Pressure test point, 1/8" M conical fitting	810280	372-232	
29	3340085/0	Biconical coupling	Not req"	Cancel	
30	3340087/0	Pressure test point, 1/8" M cyl fitting	810280	372-232	
31	3370038/1	Gasket 1/4"	810380	372-250	
32	3370040/1	Gasket 1/2"	810850	372-325	
33	3370041/1	Gasket 3/4"	810710	372-196	
34	3370048/0	Gasket e 16	810480	372-259	
35	3370053/0	Gasket 3/8"	810690	372-142	
36	3370057/0	Inyector for pilot burner (natural gaz)	810570	386-573	
36	3370066/0	Inyector for pilot burner (LPG)	810660	E03-331	
38	3400566/0	Inyector 1.35 (LPG)	815870	E03-312	
38	3400585/0	Inyector 2.10 (natural gaz)	815850	372-176	
39	3400732/0	Female plug 1/2"	Not req"	Cancel	
40	3400743/0	Ring nut 3/4"	817430	372-193	
42	3400788/0	Ring nut 1/2"	817880	372-192	
43	3400808/0	Flanged cone filter for 1/2" fitting	800240	372-142	
44	3400839/0	Nut 1/2"	Not req"	Cancel	
45	3400840/0	Nut 3/4"	Not req"	Cancel	
46	3400843/0	Ring nut for pressure test point 1/8"	818430	372-233	
47	3400847/2	Pin for slot-type coupling M4	818470	372-203	
48	3400853/0	Pump coupling	818530	372-282	
49	3400855/0	Plug for air vent pipe	818550	372-151	
50	3400856/0	Ball for air vent pipe	818560	372-150	
53	340880/0	Union nut 1/2"	818880	372-281	

<b>FERROLI</b>	<b>OPTIMA 701</b>	<b>DATE; 1.2.99</b>
----------------	-------------------	---------------------

KEY	ITALIAN		ENGLISH		Price
	Code No;	Description	Code No;	G.C.No;	
54	3401024/0	Pressure test point "air"	810240	372-378	
55	3401025/0	Pressure test point, "flue gasses"	810250	372-379	
56	3401091/2	Flue gasses test point bush	810912	E05-933	
57	3401106/0	Pressure test point for modulating coil	811060	E05-934	
58	3410043/1	Frame for inspection window glass piece	810430	372-356	
59	3410050/0	Plate C72 Oteco	Not req"	297-091	
60	3410052/0	Casing right-hand hinge	810052	297-090	
61	3410053/0	Casing left hand hinge	810053	372-390	
62	3422323/0	Pilot burner gas pipe	813230	372-315	
63	3430028/0	Medium diameter spring	Sold with 17/18		
64	3430035/0	Cable clamp spring	Not req"	Cancel	
65	3430036/0	Spring for flue gasses test point	800360	E05-939	
66	3440303/0	Draft diverter fixing rod	813030	372-170	
67	3450437/0	Flat washer for 12.5 dia fitting	810850	372-325	
68	3450438/0	Flat washer for 16.5 dia fitting	810710	372-196	
69	3450439/0	Stop ring 12.5 dia	Not req"	Cancel	
70	3450440/0	Stop ring 116.5 dia	Not req"	Cancel	
71	3500175/0	Gasket for pilot burner pipes	811750	372-247	
72	3500180/0	Instruments knob "white" ABS	811800	372-220	
73	3500184/0	Extension for gas valve pushbutton "white" ABS	811840	372-290	
76	3500411/0	Frame for instrument panel. "grey" ABS	See 78 sold together		
77	3500596/1	Stencilled insert	See 78 sold together		
78	3500695/0	Stencilled instrument panel	850002	297-092	
79	3510016/0	Gasket for 33.5 dia fitting	810160	372-153	
80	3510034/2	Gasket 34 dia	Not req"	Cancel	
81	3510042/0	O-ring 3043	Not req"	Cancel	
82	3510043/0	O-ring 3062	Not req"	Cancel	
83	3510050/0	O-ring 3087	810500	372-180	
84	3510100/0	Gasket for 80mm dia tube (air intake)	810000	E05-949	
85	3510102/0	Fan plate gasket Sold with 800440	Not req"	Cancel	
86	3531403/0	Combustion chamber rear insulation	814030	372-125	
87	3531524/0	Glass piece for 30mm dia inspection windows	815240	372-255	
88	3531525/0	Glass piece for inspection windows	815250	297-028	
89	3531528/3	Combustion chamber side insulation	815280	372-124	
90	3531672/0	Combustion chamber closin panel insulation	Sold with 1	297-038	
91	3610024/0	Three-way switch	801230	372-225	
92	3640074/0	Thermohydrometer	801870	E03-349	
93	3640128/0	Limit thermost	800180	386-828	
94	3640139/0	Minimum level thermost	800160	386-577	
95	3640140/0	Air pressure switch, Kromsch	800140	378-168	
95	3640162/0	Air pressure switch, Huba	800140	378-168	
96	3640170/0	Safety thermostat	801240	386-815	
97	3640172/1	Complete potentiometer	801260	372-224	
98	3640186/0	Flow meter	803430	E03-340	
99	3650109/0	Two-stud terminal block	814460	372-159	
100	3650161/0	Cable gripper	814850	372-329	
101	3650387/0	Three-stud terminal block	813870	372-160	
101a	3650476/0	Programming clock	803840	379-815	
102	3650486/0	Grommet	814860	408-780	

