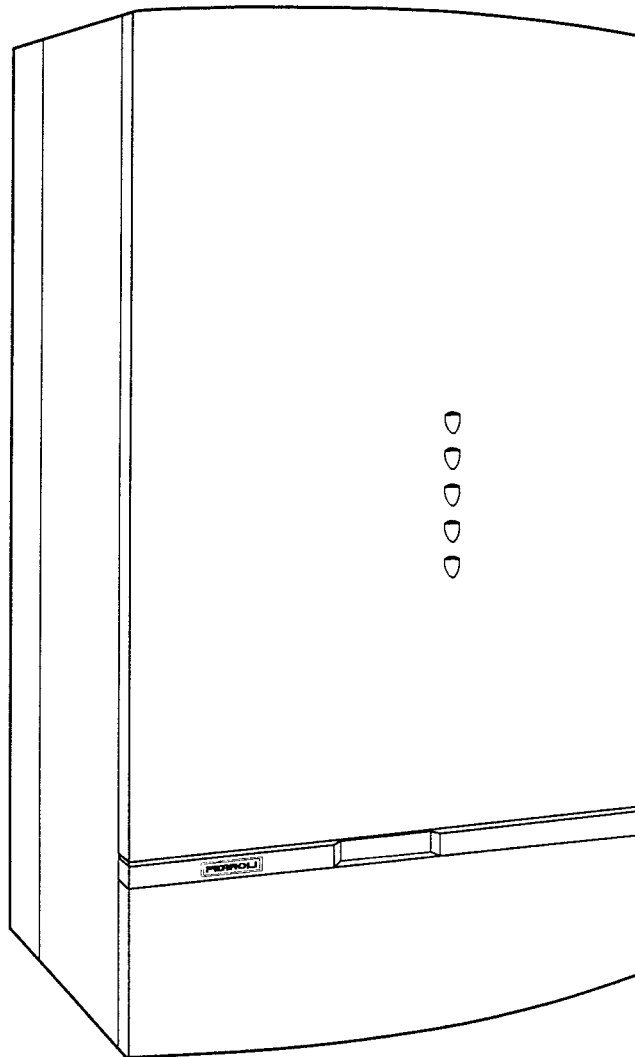


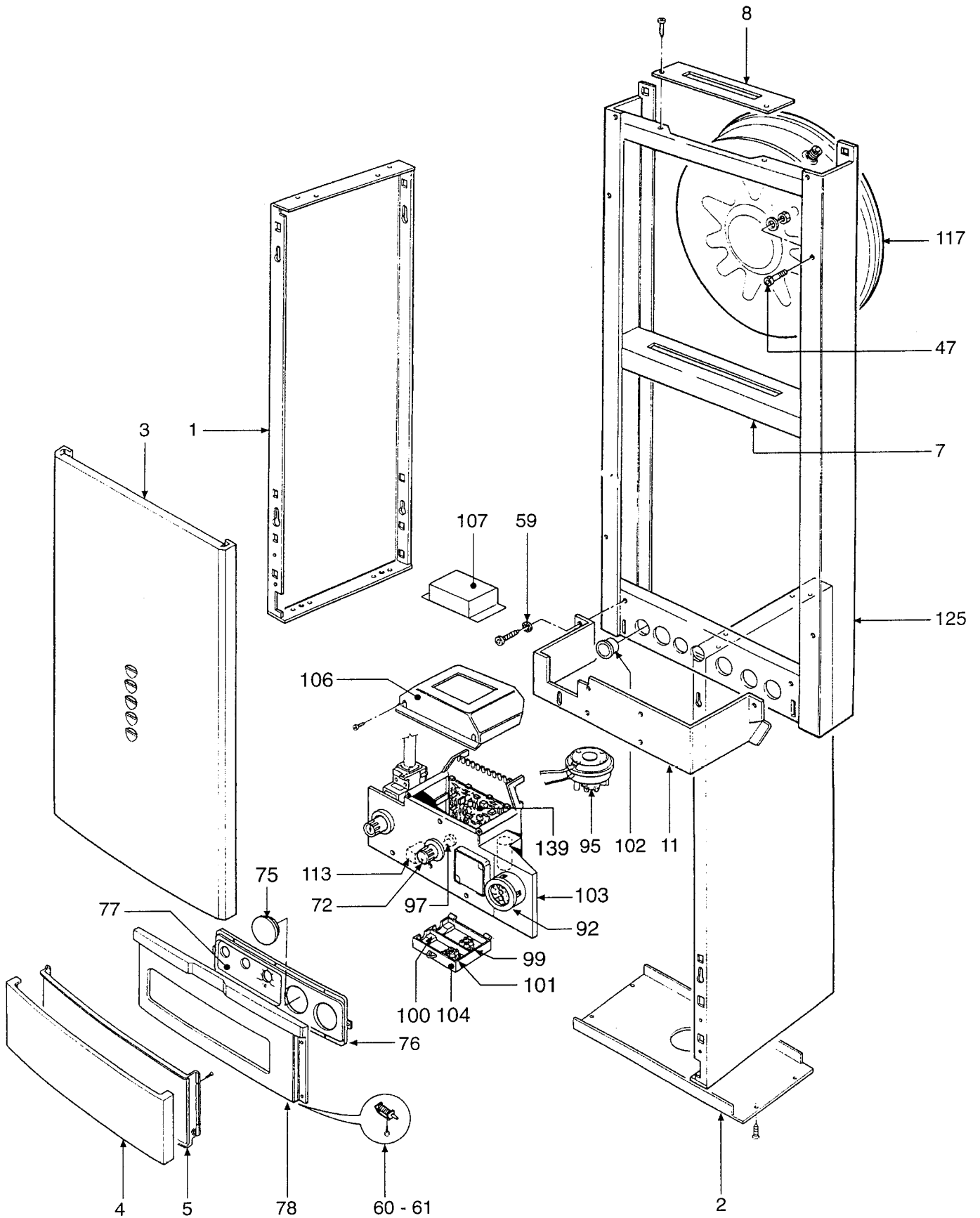
FERROLI

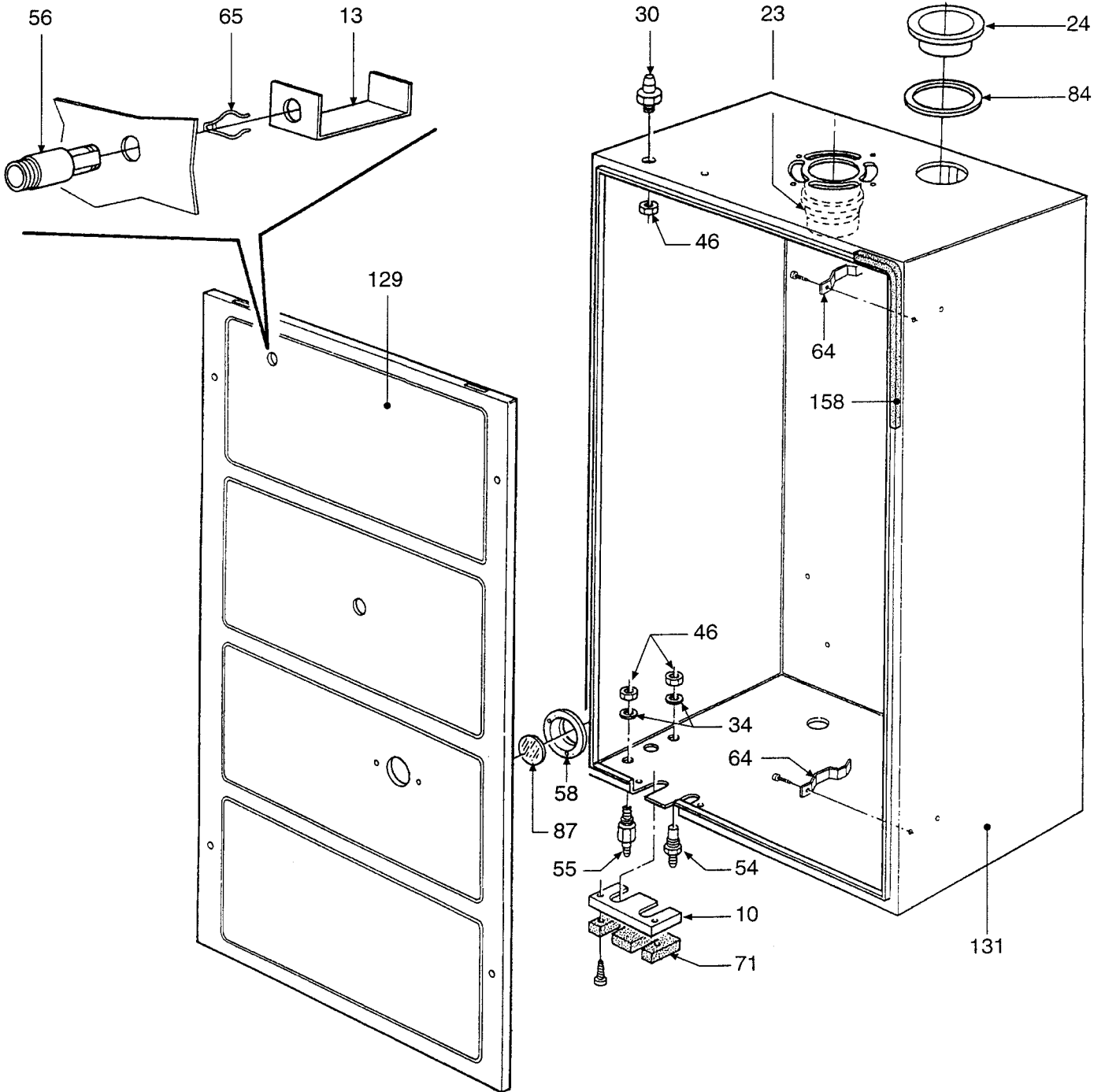
OPTIMA 601

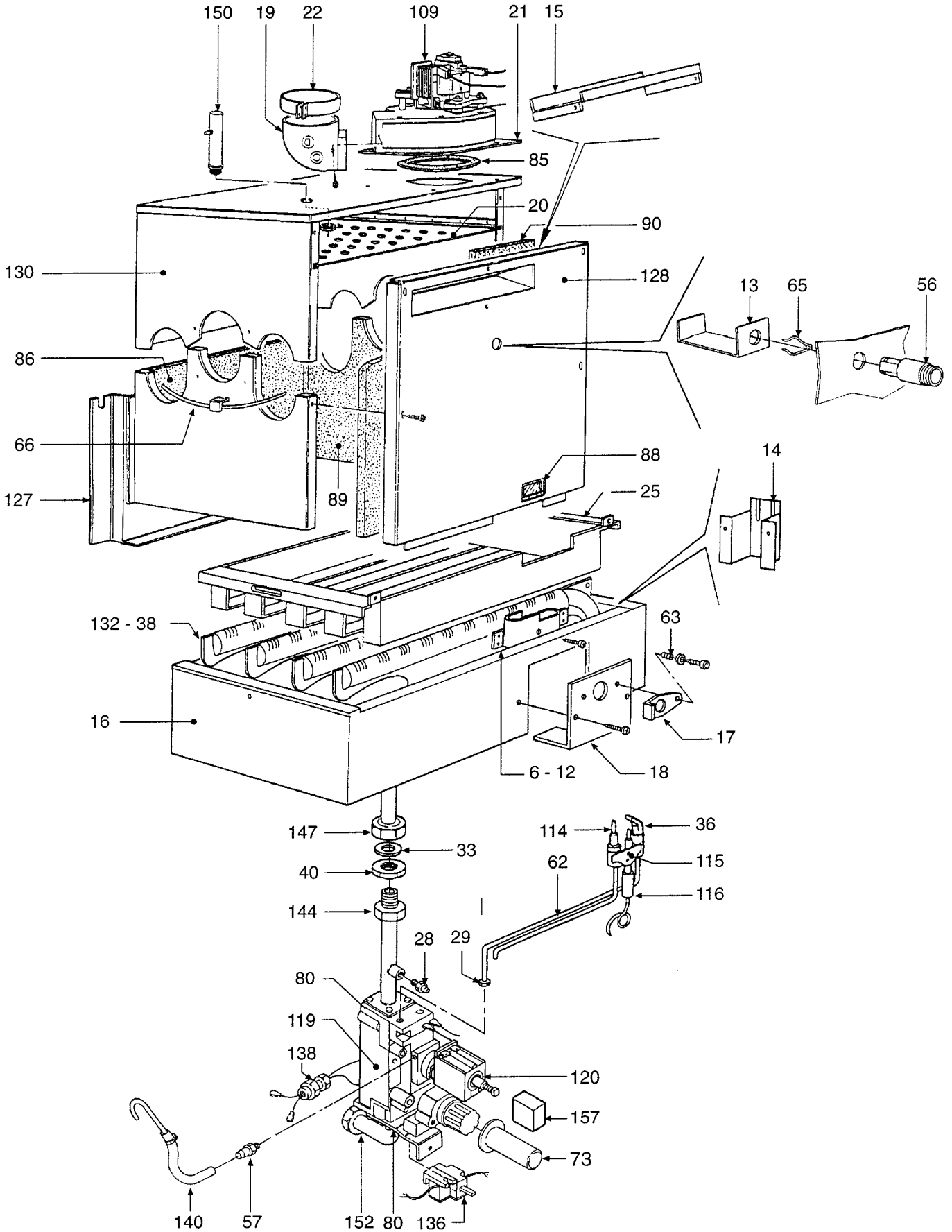
- LISTA PEZZI DI RICAMBIO
- SPARE PART LIST
- ERSATZSTEILE
- LISTE PIECES DETACHES
- LISTA PIEZAS DE REPUESTO

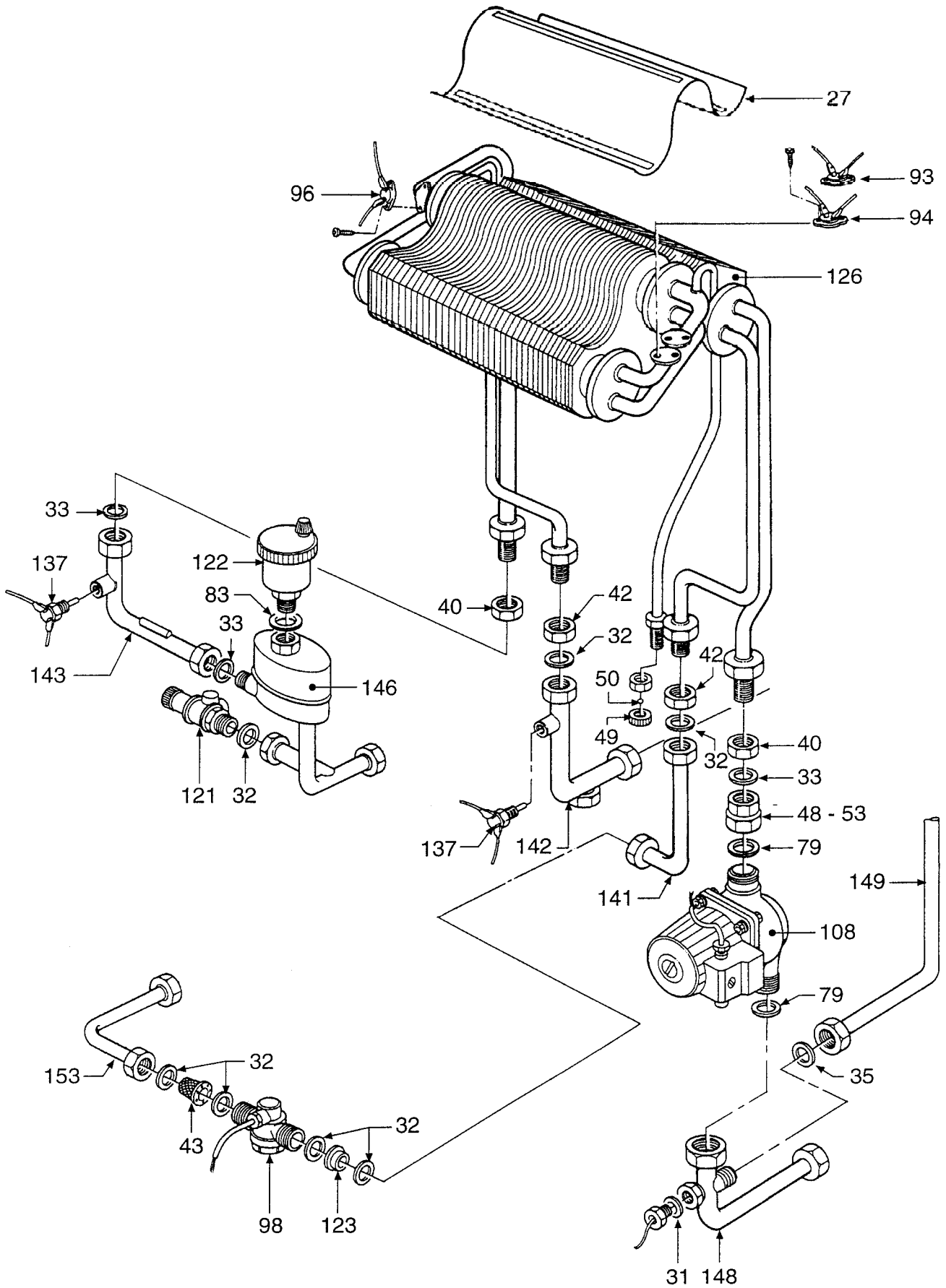


Appr. nr. B94.02 T - CE 0063 AQ 2150









FÉRROLI	OPTIMA 601 SPARE PART LIST	10.96
----------------	---------------------------------------	--------------

KEY	G.C.No;	Description	Code No;	Code No;
1	297-079	Reversible side panel, painted "white"	3113562/0	813562
2	297-089	Casing bottom plate, painted "white"	3113770/0	813566
3	297-080	Top front panel, painted "white"	3113568/0	803600
4	297-088	Bottom front panel, painted "white"	3113573/0	813573
5	297-087	Front panel reinforcement, painted "white"	3113574/0	813574
6	cancel	Fastening plate, pilot burner support	3120617/0	not req
7	372-204	Bracket, expansion tank	3120625/0	811620
8	372-205	Bracket, expansion tank fixing	3120646/1	816460
10	372-246	Plate for pilot burner pipes	3120727/0	817270
11	372-307	Control box support bracket	3120766/0	817500
12	372-172	Pilot burner support	3120842/0	817900
13	E05-908	Bracket for chimney sweeping probe	3120886/0	811860
14	cancel	Pilot burner protection plate	3120954/0	not req
15	297-038	Air inlet rocker	3200199/0	802440
16	372-129	Combustion chamber lower case	3200218/0	810880
17	372-132	Inspection door	3211171/0	811710
18	372-131	Pilot burner hole closure	3211269/0	813690
19	-	Flue gases outlet bend, aluminium	3211405/1	sold with 109
20	E05-912	Flue gases baffle plate	3211472/0	806472
21	-	Type 'A' fan holding plate	3211626/0	sold with 109
22	E05-914	Flue gases seal between cover and fan unions	3270042/0	800420
23	E05-915	Flue fitting, cover/fan connection	3270043/0	811430
24	E05-916	100mm aluminium air intake plug	3270044/0	817440
25	372-258	Burner baffle grill	3290805/0	818050
27	E05-917	Heat exchanger flue gases baffle	3291100/0	806100
28	372-232	Pressure test point, 1/8" M conical filling	3340028/0	810280
29	cancel	Biconical coupling	3340085/0	not req
30	372-232	Pressure test point, 1/8" M cyL fitting	3340087/0	810280
31	372-250	Gasket, 1/4"	3370038/1	810380
32	372-325	Gasket, 1/2"	3370040/1	810850
33	372-196	Gasket, 3/4"	3370041/1	810710
34	372-259	Gasket, Oe 16	3370048/0	810480
35	372-142	Gasket, 3/8"	3370053/0	810690
36	386-573	Injector for pilot burner, (natural gas)	3370057/0	810570
36	E03-331	Injector for pilot burner, (LPG)	3370066/0	810660
38	E05-923	Injector, 0 1.35 (LPG)	3400566/0	805660
38	372-176	Injector, 02.10 (natural gas)	3400585/0	815850
39	cancel	Female plug, 1/2"	3400732/0	not req
40	372-193	Ring nut, 3/4"	3400743/0	817430
42	372-192	Ring nut, 1/2"	3400788/0	817880
43	372-142	Cold water filter	3400808/0	800240
44	cancel	Nut, 1/2"	3400839/0	not req
45	cancel	Nut, 3/4"	3400840/0	not req
46	372-233	Ring nut for pressure test point, 1/8"	3400843/0	818430
47	372-203	Pin for slot-type coupling, M4	3400847/2	818470
48	372-282	Pump coupling	3400853/0	818530
49	372-151	Plug for air vent pipe	3400855/0	818550
50	372-150	Ball for air vent pipe	3400856/0	818560

FÉRROLI	OPTIMA 601 SPARE PART LIST	10.96
----------------	---------------------------------------	--------------

KEY	G.C.No;	Description	Code No;	Code No;
53	372-281	Union nut, 1" 1/2	3400880/0	818800
54	372-378	Pressure test point, "air"	3401024/0	810240
55	372-379	Pressure test point, "flue gases"	3401025/0	810250
56	E05-933	Flue gases test point bush	3401091/2	810912
57	E05-934	Pressure test point for modulating coil	3401106/0	811060
58	372-356	Frame for inspection window glass piece	3410043/1	810430
59	297-091	Plate, C72 Oteco	3410050/0	not req
60	297-090	Casing right-hand hinge	3410052/0	810052
61	372-390	Casing left-hand hinge	3410053/0	810053
62	372-315	Pilot burner gas pipe	3422323/0	813230
63	-	Medium diameter spring	3430028/0	not req
64	cancel	Cable clamp spring	3430035/0	not req
65	E05-939	Spring for flue gases test point	3430036/0	800360
66	372-170	Draft diverter fixing rod	3440303/0	813030
67	372-325	Flat washer for 1/2" fitting	3450437/0	810850
68	372-196	Flat washer for 3/4" fitting	3450438/0	810710
69	cancel	Stop ring, 1/2"	3450439/0	not req
70	cancel	Stop ring, 3/4"	3450440/0	not req
71	372-247	Gasket for pilot burner pipes	3500175/0	811750
72	372-220	Instruments knob, "white" ABS	3500180/0	811800
73	372-290	Extension for gas valve push button, "white" ABS	3500184/0	811840
75	E11-711	Hole plug, "grey" ABS	3500404/0	800404
76	297-093	Frame for instrument panel, "grey" ABS	3500411/0	850001
77	cancel	Stencilled insert	3500412/1	not req
78	cancel	Stencilled instrument panel	3500410/0	not req
79	372-153	Gasket for 1" 1/2 fitting	3510016/0	810160
80	cancel	Gasket, Oe 34	3510034/2	not req
81	cancel	O-Ring 3043 for 1/2" filling	3510042/0	not req
82	cancel	O-Ring 3062 for 3/4" fitting	3510043/0	not req
83	372-180	O-Ring 3087	3510050/0	810500
84	E05-949	Gasket for 80mm Ø tube (air intake)	3510100/0	810000
85	cancel	Fan plate gasket	3510102/0	not req
86	372-125	Combustion chamber rear insulation	3531403/0	814030
87	372-255	Glass piece for 30mm Ø inspection windows	3531524/0	815240
88	297-028	Glass piece for inspection windows	3531525/0	815250
89	372-124	Combustion chamber side insulation	3531528/3	815280
90	297-038	Combustion chamber closing panel insulation	3531672/0	802440
92	E03-349	Thermohydrometer	3640074/0	801870
93	386-828	Limit thermostat	3640128/0	800180
94	386-577	Minimum level thermostat	3640139/0	800160
95	378-168	Air pressure switch, Kromsch	3640140/0	800140
95	378-168	Air pressure switch, Huba	3640162/0	800140
96	386-815	Safety thermostat	3640170/0	801240
97	372-224	Complete potentiometer	3640172/1	801260
98	E03-340	Flow meter	3640186/0	803430
99	372-159	Two-stud terminal block	3650109/0	814460
100	372-329	Cable gripper	3650161/0	814850

FÉRROLI	OPTIMA 601 SPARE PART LIST	10.96
----------------	---------------------------------------	--------------

KEY	G.C.No;	Description	Code No;	Code No;
101	372-160	Three-stud terminal block	3650387/0	813870
102	408-780	Grommet	3650486/0	814860
103	372-304	Plastic wiring box	3650498/0	812820
104	372-302	Power line terminal block cover	3650501/0	817530
105	cancel	Dual-tab earthing rivet	3650598/0	not req
106	E05-963	Control box cover	3650601/0	806010
107	E05-964	Air pressure switch protection cover	3650602/0	806020
108	386-814	Pump, Grunfos 15/50	3660108/0	800600
109	372-241	Fan	3660106/0	800440
109	372-241	Fan, EBM	3660109/0	800440
113	372-309	Ignition transformer	3670194/0	801150
114	390-131	Thermocouple, Honeywell	3670207/0	801170
115	386-586	Pilot burner, A Honeywell	3670218/0	800270
116	E04-265	Spark electrode	3670219/0	801090
117	386-821	Circular expansion tank, 7l	3680177/0	811770
119	E03-313	Gas valve, Honeywell VR 4600 N	3680252/0	803450
120	E05-970	Modureg	3680254/0	818289
121	386-816	Safety valve, 1/2"	369008610	800130
122	394-243	Automatic air valve, 1/2"	3690088/0	801160
123	379-987	Flow rate regulator, 7 l.	3690127/0	801250
125	372-202	Boiler support frame, complete	3710418/0	813460
126	372-245	Complete heat exchanger	3740092/1	802170
127	297-054	Complete combustion chamber	3740177/0	871770
128	297-038	Combustion chamber closing panel, complete	3740219/0	802440
129	E05-975	Room sealed compartment closing panel, complete	3751310/0	813100
130	297-055	Complete smoke box	3751354/0	812290
131	E05-977	Complete room sealed compartment	3751394/0	802940
132	372-171	Upturned Venturi burner	3760709/0	817090
136	372-320	Complete microswitch	3831024/0	803460
137	386-818	Complete temperature sensor	3831080/7	800310
138	372-262	Eco split-Wire, complete	3831406/1	801140
139	E05-327	Electronic board, VMF7, complete	3831671/0	803410
140	E05-980	Modulating coil pressure test point pipe	3840437/0	804370
141	372-285	D.H.W. flow switch connection pipe	3844320/0	819140
142	370-284	D.H.W. flow pipe	3843654/4	811000
143	372-289	Flow pipe between heat exchanger and air separator	3843655/1	816550
144	372-313	Pipework between gas valve and manifold	3843656/3	810090
146	372-139	Air separator	3843661/1	816610
147	376-261	Gas manifold unit, complete	3843662/1	813190
148	E06-399	System return pipe	3840516/0	805160
149	372-286	Expansion tank connection pipe	3843686/3	816863
150	297-021	Venturi assembly	3844220/2	812200
152	372-316	Pipe upstream of gas valve	3844096/0	810960
153	372-288	D.H.W. inlet pipe	3843660/1	819050
157	E05-970	Modureg cover	3941015/0	not req
158	297-006	Adhesive gasket IO x IO	55510004	800530