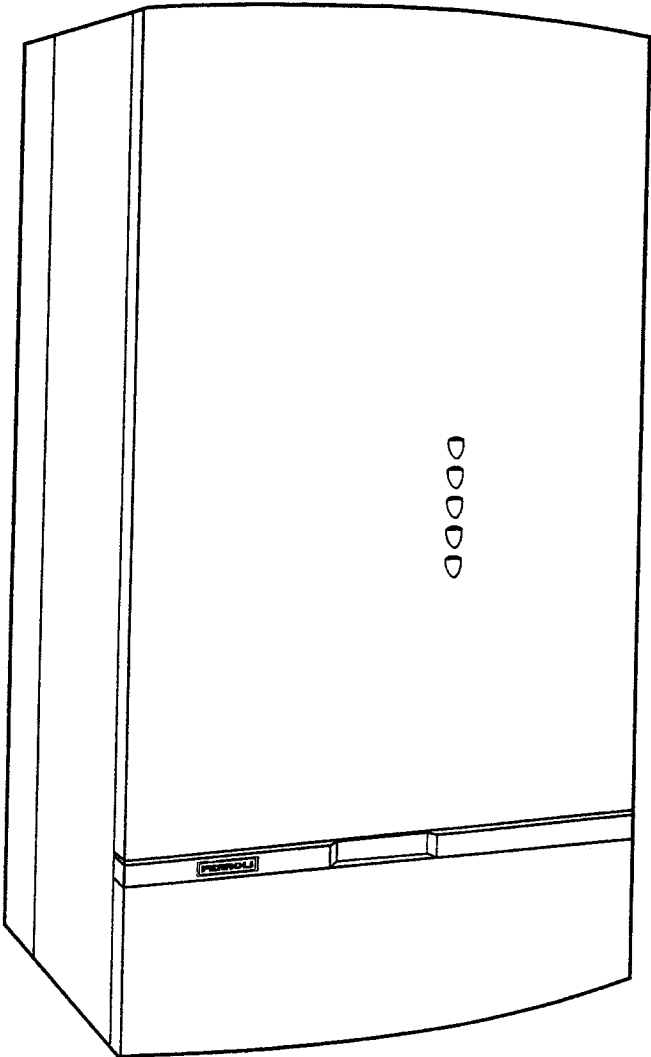




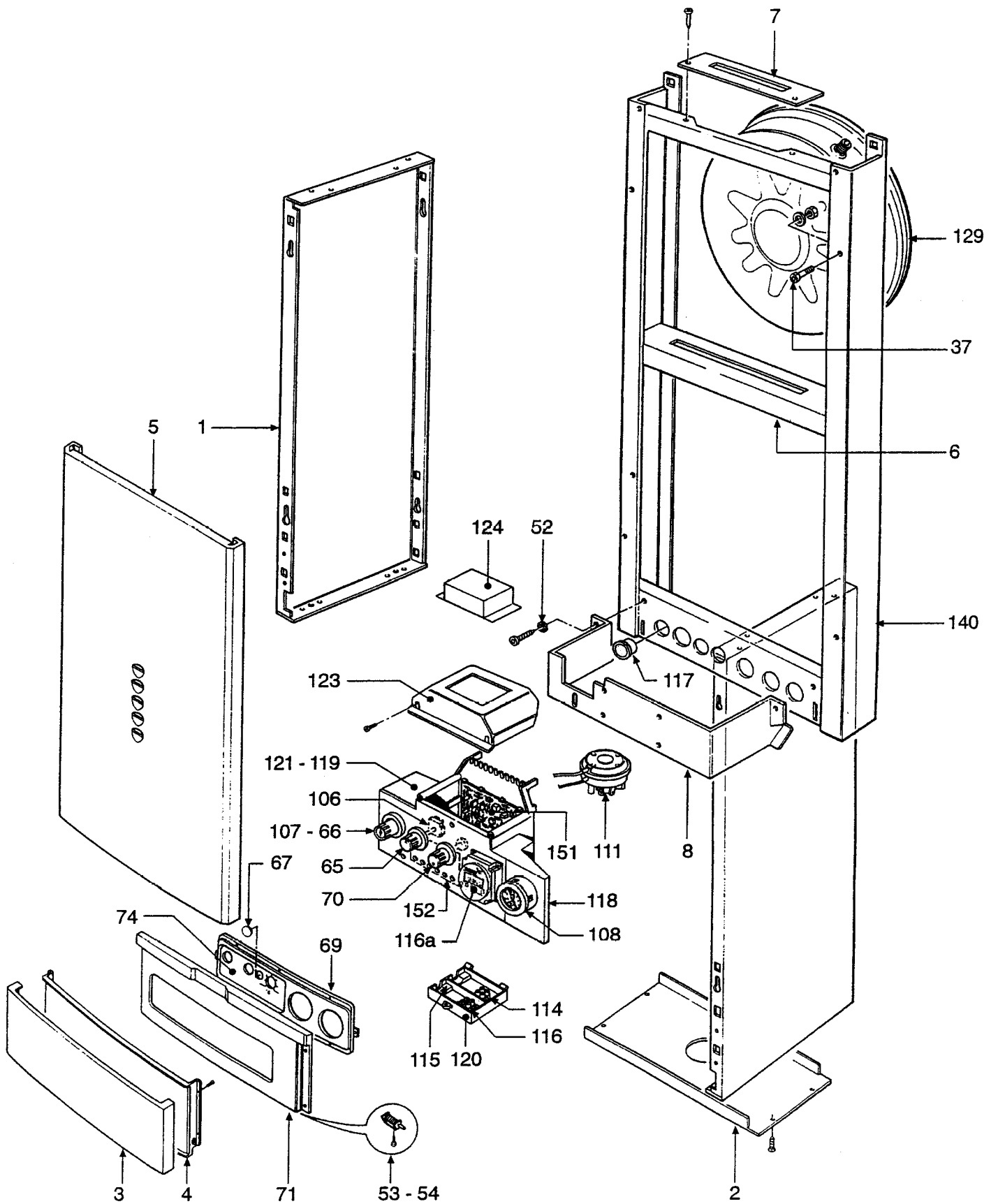
# OPTIMA 2000

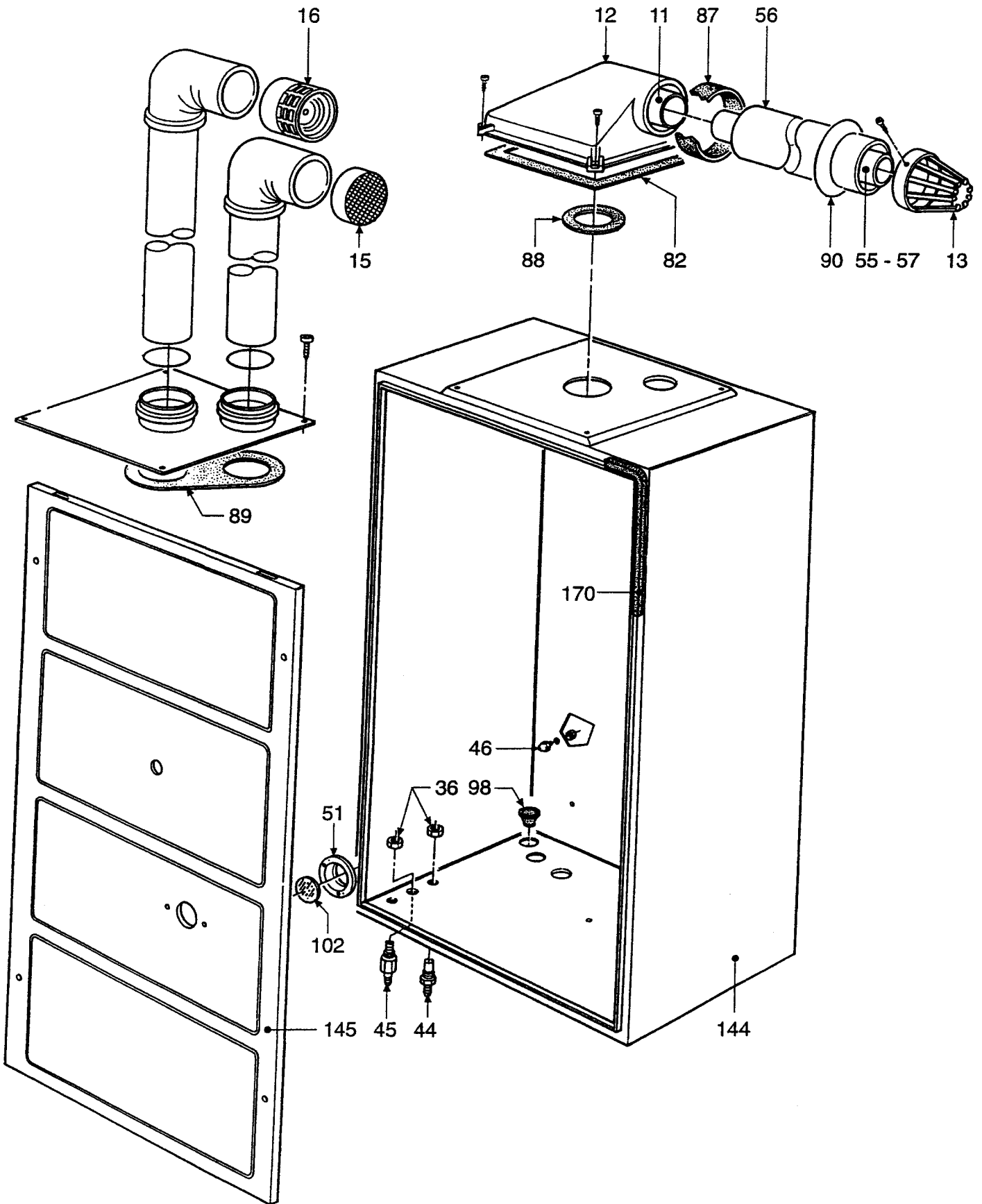
- LISTA PEZZI DI RICAMBIO
- SPARE PART LIST
- ERSATZSTEILE
- LISTE PIECES DETACHES
- LISTA PIEZAS DE REPUESTO

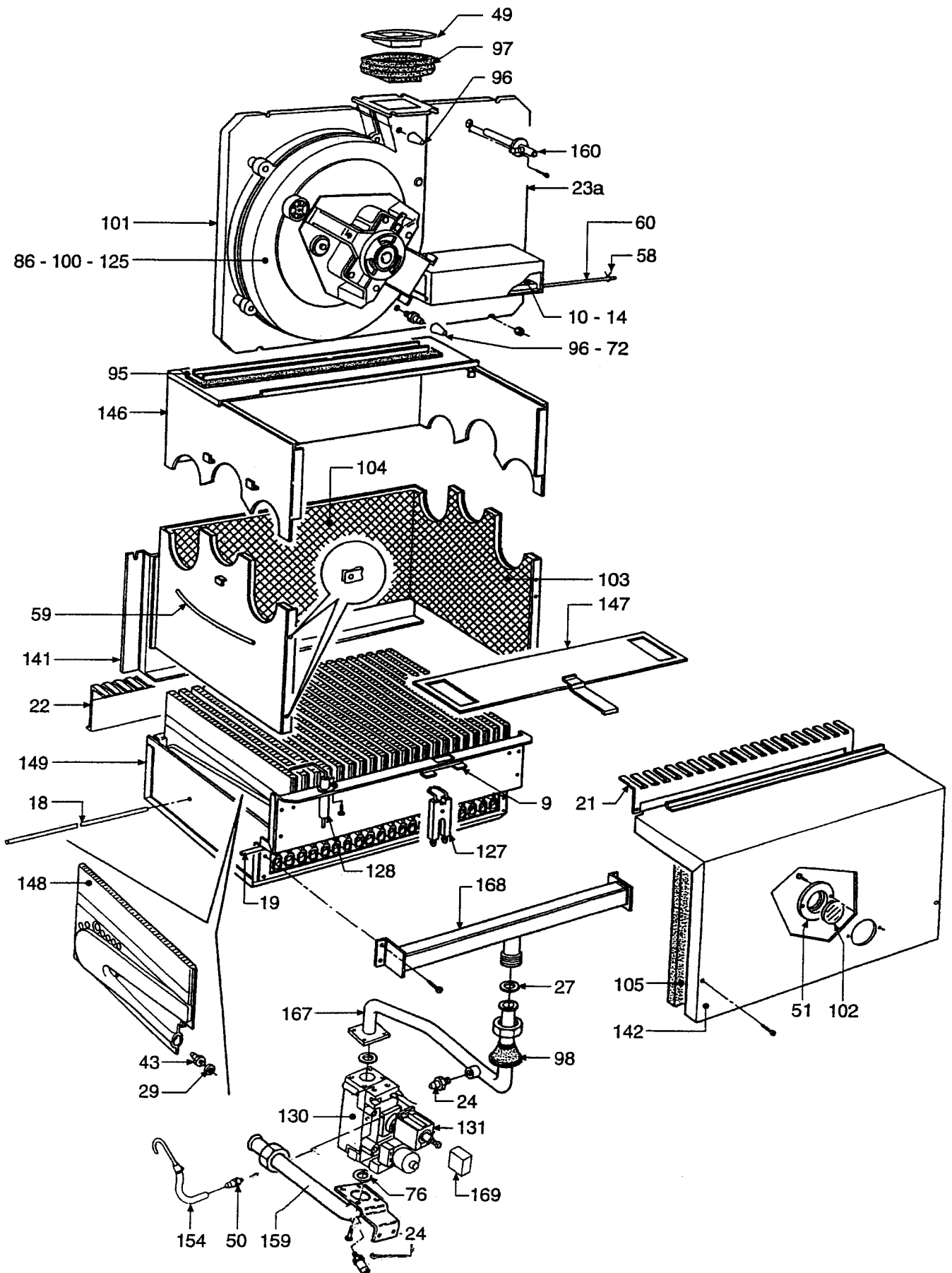


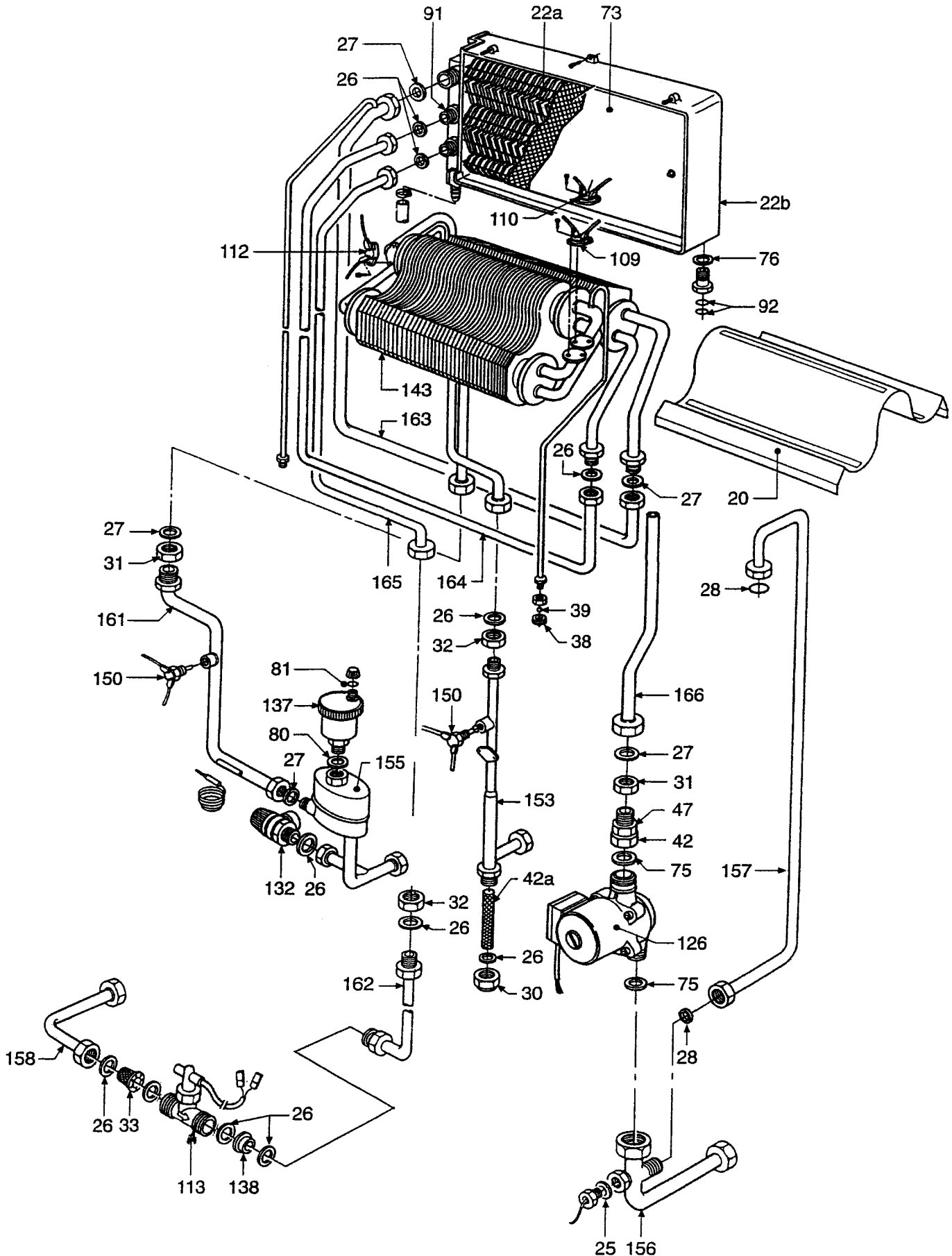
Appr. nr. B95.01 A - CE 0063 AQ 2150

CODICE	EDIZIONE	MERCATO	VISTO
30R0045/0	10 - 96	GB	<i>Garson D</i>









<b>FERROLI</b>	<b>OPTIMA 2000</b>	<b>DATE:01.11.99</b>
----------------	--------------------	----------------------

Key	Code	Description	English	G.C.No;
1	3113562/0	Panel - Side Panel "White"	813562	297-079
2	3113770/0	Panel - Bottom Panel "White"	813566	297-089
3	3113573/0	Flap Door - Cover	813573	297-088
4	3113574/0	Backing for Door	813574	297-087
5	3113568/0	Panel - Universal Upper Panel	803600	297-080
6	3120625/0	Bracket - Expansion Vessel Bracket (Lower)	811620	372-204
7	3120646/0	Bracket - Expansion Vessel Bracket (Upper)	816460	372-205
8	3120766/0	Bracket - Control Box support	817500	372-307
9	3120894/0	Support - Electrode	808090	297-071
10	3200186/0	Damper (Optima 2000/2001)	800176	-
11	3211342/0	Flue bend (See 12)	-	-
12	3211344/1	Flue Hood	811210	372-269
13	3211346/0	Flue Terminal 110mm / 70mm	800575	E06-447
14	3211409/0	Plate - Rocker Closing Plate (See 142)	-	-
15	3211428/0	Push-In Terminal (80mm Air)	823211	E06-448
16	3211429/0	Push-In Terminal (80mm Exhaust Flue)	823201	E06-449
17	3211573/0	Plate - Special Plate Not Required	-	-
18	3220238/0	Support - Support Burner (Rear) (4mm Pin)	802390	297-064
19	3220242/0	Support - Support Burner (Front) (3.5mm Pin)	802380	297-065
20	3291032/0	Baffle - Heat Exchanger Baffle (10mm slots)	891032	E06-397
21	3291088/0	Frame - Burner to Front sold with 149	-	-
22	3291089/0	Frame - Burner to Rear sold with 149	-	-
22a	3330147/0	Heat Exchanger - Condensing	840201	E06-454
22b	3330148/0	Heat Exchanger - Outer Skin (See 22a)	-	-
23	3330149/0	Flange - Heat Exchanger Flange (See 22a)	-	-
23a	3330150/0	Gasket - for Fan Assembly Plate (See 125)	-	-
24	3340028/0	Test Point (Gas / Air)	810280	372-232
25	3370038/1	Gasket - 1/4"inch	810380	372-250
26	3370040/1	Gasket - 1/2"inch	810850	372-325
27	3370041/1	Gasket - 3/4"inch	810710	372-196
28	3370053/0	Gasket - CH Exp.Vessel	810690	372-142
29	3370089/0	Gasket 3/8"	810870	372-324
30	3400732/0	Gasket 10mm Aluminium (Not Required)	-	-
31	3400743/0	Nut - Ring Nut 1/2"inch	817430	372-193
32	3400788/0	Nut - Ring Nut 3/4"inch	817880	372-192
33	3400808/0	Cold Water Filter	800240	372-147
34	3400839/0	Nut 1/2"	817430	372-193
35	3400840/0	Nut 3/4"	817880	372-192
36	3400843/0	Nut - Pressure Test Point 1/8"inch	818430	372-233
37	3400847/2	Support Pin	818470	372-203
38	3400855/0	Cap - Heat Exchanger Vent	818550	372-151
39	3400856/0	Sphere - Heat Exchanger Vent	818560	372-150
42	3400880/0	Nut - Pump Connection Nut 1 1/2"inch	818800	372-281
42a	3400889/0	Filter - DHW Outlet Pipe	806889	E06-459
43	3400973/0	Injector-0.875mm	809730	E06-459
44	3401024/0	Test Point (Air Pressure)	810240	372-378
45	3401025/0	Test Point (Flue Pressure)	810250	372-379
47	3401099/0	Pump Coupling	806097	E06-460
48	3401102/0	Plug - Flue Gases 1/8"inch	-	-
49	3401105/0	Insert - Fan Insert (Steel)	-	-

## OPTIMA 2000

DATE:01.11.99

ITALIAN			ENGLISH	
Key	Code No;	Description	Code No;	G.C.No;
50	3510052/0	Gasket- O-Ring 112	810520	372-264
51	3410043/1	Flange - Spy Glass Flange	810430	372-256
52	3410050/0	Plate C72 Oteco	-	-
53	3410052/0	Hinge - Right Hand Hinge	810052	297-091
54	3410053/0	Hinge - Left Hand Hinge	810053	297-092
55	3422200/0	Pipe-60.Al. sold with 56	-	-
56	3422241/0	Pipe.100 PVC	823104	E02-387
57	3422320/0	Pipe 60 AL sold with 56	-	-
58	3430034/0	CirClip - for Damper Pin sold with 125	-	-
59	3440303/0	Rod - Draught Divertor Fixing Rod	813030	372-170
60	3440363/0	Pin - for Damper sold with 125	-	-
61	3450437/0	Washer - 1/2"	810850	372-325
62	3450438/0	Washer - 3/4"	810710	372-196
63	3450439/0	Stop Ring 1/2inch	-	-
64	3450440/0	Stop Ring 3/4"inch	-	-
65	3500180/0	Knob - Thermostat Knob	811800	372-220
66	3500301/0	Knob - Reset Knob	811703	297-047
67	3500395/0	Plug.ABS sold with 71	-	-
69	3500411/0	Frame for Facia panel sold with 71	-	-
70	3500489/0	Knob - Thermostat	811940	372-219
71	3500410/0	Facia - Facia Panel	850003	E05-904
72	3500615/0	Plug sold with 125	-	-
73	3500617/0	Baffle - Flue Gases sold with 22a	-	-
74	3500548/1	Insert - Frame Insert Sold with 71	-	-
75	3510016/0	Gasket - Pump Gasket	810160	372-153
76	3510034/2	Gasket-34mm	810340	372-174
77	3510039/1	Gasket-24mm	-	-
78	3510042/0	O-ring 3043 for 1/2" fitting	-	-
79	3510043/0	O-ring 3062 For 3/4" fitting	-	-
80	3510050/0	O-ring 3087 AAV	810500	372-180
81	3510053/0	Gasket-AAV O-ring 3056	810530	372-177
82	3510055/0	Gasket - Flue / Air Hood (Square)	810550	372-271
86	3510059/0	Gasket - Gasket c/w Giude 27.5mm	806059	E06-482
87	3510062/0	Seal - Rubber Flue Seal	810620	372-321
88	3510078/0	Gasket-69mm	810560	372-270
89	3510079/0	Gasket - Twin Plate Flue Gasket (Not Required)	-	-
90	3510082/0	Outer Wall Seal 100mm	823334	E06-484
91	3510085/0	O-ring 3056	806085	E06-485
92	3510086/0	O-Ring 123 (See 22a)	-	-
93	3510087/0	Gasket - Secondary Heat Exchanger Gasket (See 22a)	-	-
94	3510088/0	Gasket - Secondary Heat Exchanger Gasket (See 22a)	-	-
95	3510091/0	Smoke Box , Complete	806091	E06-489
96	3510092/0	Plug - Pressure Test Point (Sold with 125)	-	-
97	3510095/0	Gasket- Fan Assembly Gasket ( Sold with 125)	-	-
99	3510099/0	Gasket - Flue Bend Gasket	-	-
100	3510103/0	Gasket - Fan Assembly Gasket ( Sold with 125)	-	-
101	3510106/0	Gasket - Fan Assembly Gasket ( Sold with 125)	-	-
102	3531524/0	Spy Glass -for Pilot View	815240	372-255
103	3531538/3	Insulation - Combustion Chamber "Side"	815280	372-124

FERROLI

OPTIMA 2000

DATE:01.11.99

ITALIAN		ENGLISH		
Key	Code No;	Description	Code No;	G.C.No;
104	3531749/0	Insulation - Combustion Chamber "Rear"	814030	372-125
105	3531857/0	Insulation - Combustion Chamber Cover	-	-
106	3610024/0	Selector Switch	801550	297-042
107	3610033/0	Shroud - Reset Shroud	-	-
108	3640074/0	Temperature / Pressure Gauge	800300	386-580
109	3640128/0	Thermostat - Central Heating (88 Degree)	800160	386-577
110	3640139/0	Thermostat - Frost Thermostat	800180	386-577
111	3640140/0	Air Pressure Switch	800140	-
111	3640162/0	Air Pressure Switch	800140	378-167
112	3640170/0	Thermostat - 100 Degree	801240	386-815
113	3640186/0	Flow Switch	800120	379-035
114	3650109/0	Terminal Block (2 Stud)	814460	372-228
115	3650161/0	Cablegripper	-	-
116	3650387/0	Terminal Block (3 Stud)	813870	372-160.
116a	3650476/0	Clock - LCD 24 Hour Clock	803840	379-815
117	3650486/0	Grommet	814860	408-780
118	3650498/0	Box - Plastic Wiring Box	812820	372-304
119	3650500/2	Insert - Control Box Insert	-	-
120	3650501/0	Cover - Terminal Block Cover	817530	372-302
121	3650537/0	Ignition-PCB,Honeywell	802560	379-621
122	3650598/0	Rivet - Earthing Rivet (Not Required)	-	-
123	3650601/0	Cover- Control Box Cover	806010	E05-963
124	3650602/0	Cover - Air Pressure Cover	806020	E05-964
125	3660113/0	Fan Assembly - Complete EBM G2K160	803510	E06-501
126	3660117/0	Pump - Grunfos 15/50	800600	386-814
127	3670223/0	Electrode - Spark Electrode	803720	E06-501
128	3670230/0	Electrode - Flame Sensing	800308	E11-694
129	3680177/0	Expansion Vessel	811770	386-821
130	3680253/0	Gas Valve - VR4605N (No Modureg Supplied)	802530	E03-853
131	3680254/0	Modureg - Honeywell (V7335A 2067)	818290	379-955
132	3690660/0	Safety Valve (3 Bar)	800130	386-816
134	3690085/0	Ball cock red knol 1/2"	-	-
135	3690086/0	Ball cock red knob 3/4"	-	-
136	3690087/0	Ball cock blue knb 1/2"	-	-
137	3690088/0	Auto Air Vent	801160	394-246
138	3690127/0	Flow limiter 11 ltr	801250	379-987
140	3710418/0	Frame - Boiler Frame , Complete	813460	372-202
141	3740198/0	Combustion Chamber , Complete	806198	E06-505
142	3740199/0	Panel - Combustion Chamber Panel , Complete	806199	E06-506
143	3740200/1	Haet Exchanger , Main	840200	E06-507
144	3751323/0	Room Sealed Compartment , Complete	806323	E06-508
145	3751325/0	Cover - Combustion Chamber (Upper)	806325	E06-509
147	3751327/0	Baffle - Smoke Box Flue Air Baffle	813270	E06-510
148	3760798/0	Burner Box , Complete (Sold With 149)	800307	E06-511
149	3790307/0	Burner Assembly , Complete	800307	E06-511
150	3831080/7	Sensor - DHW & Central Heating	800310	386-818
151	3831671/0	VMF 6.1s - PCB / Honeywell W4115B 1309	803100	E06-518
152	3831691/0	Connector - LCD for VMF 6.1s	803110	-
153	3844840/0	Pipe- Flow Pipe DHW	806484	E11-697



