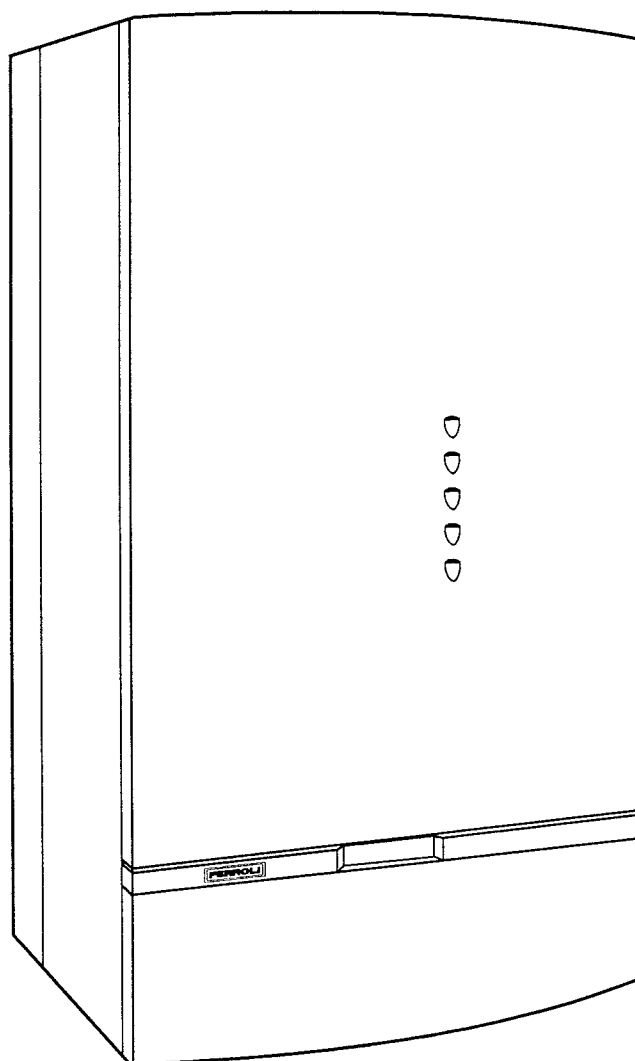


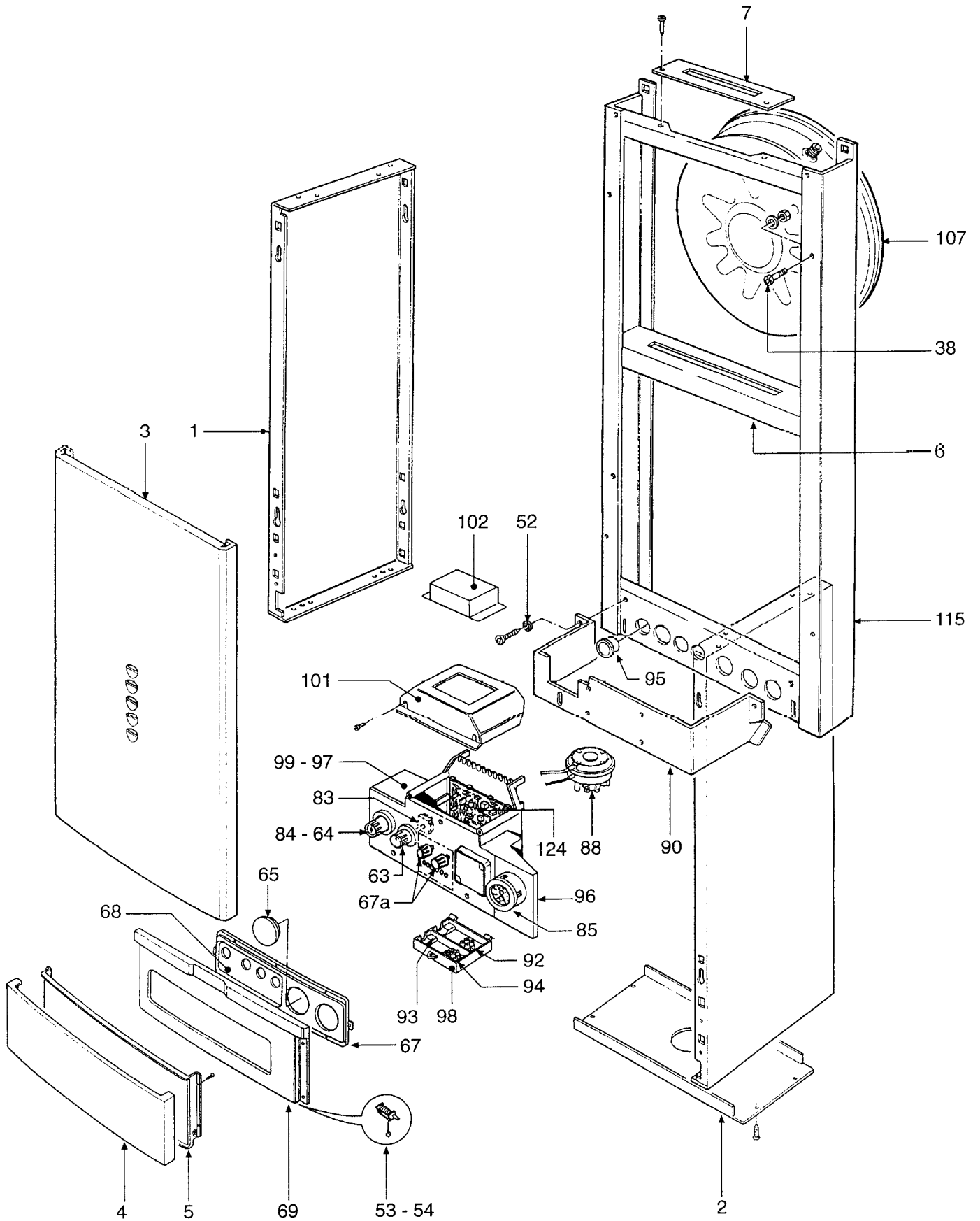
FERROLI

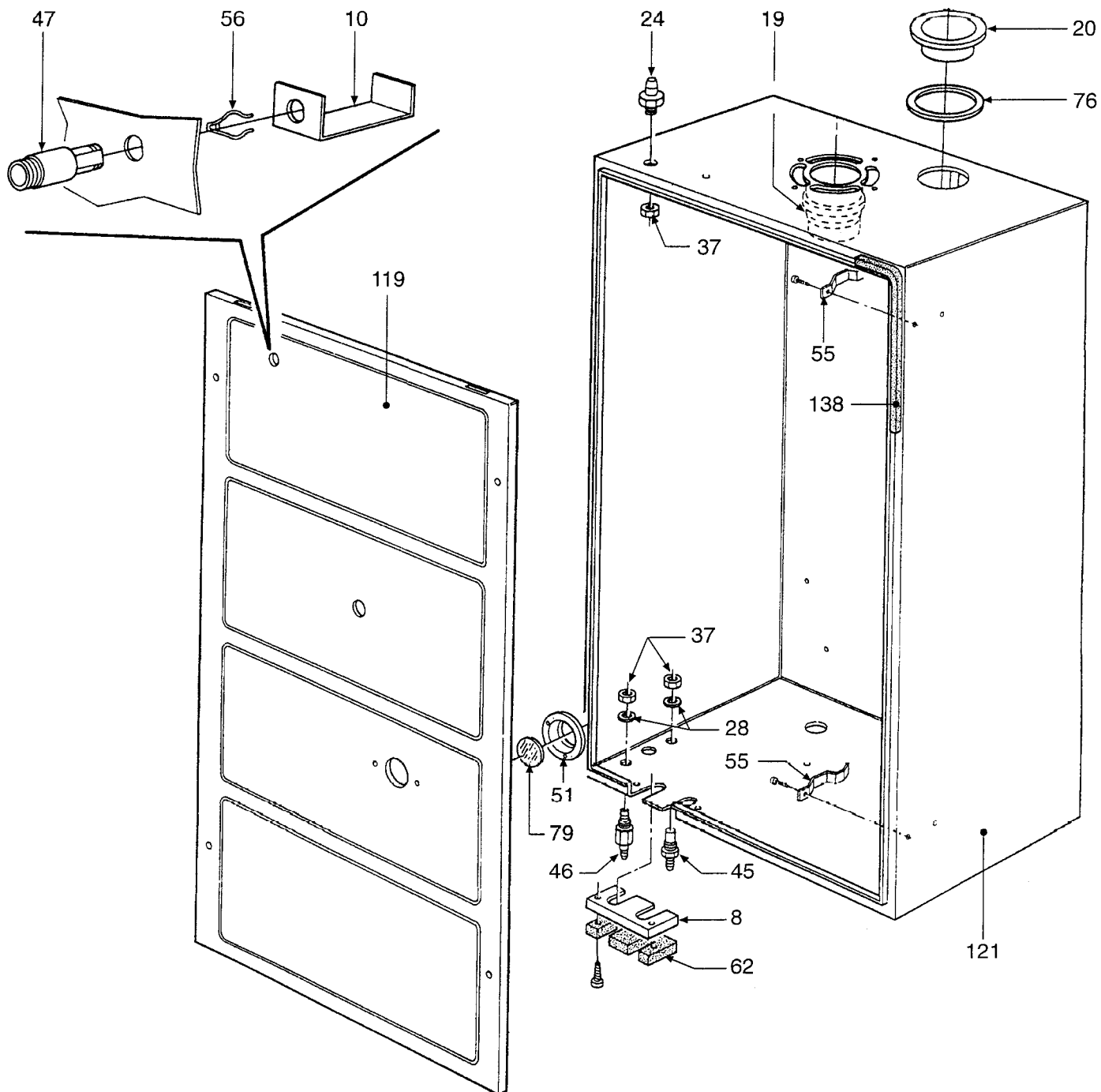
OPTIMA 1001

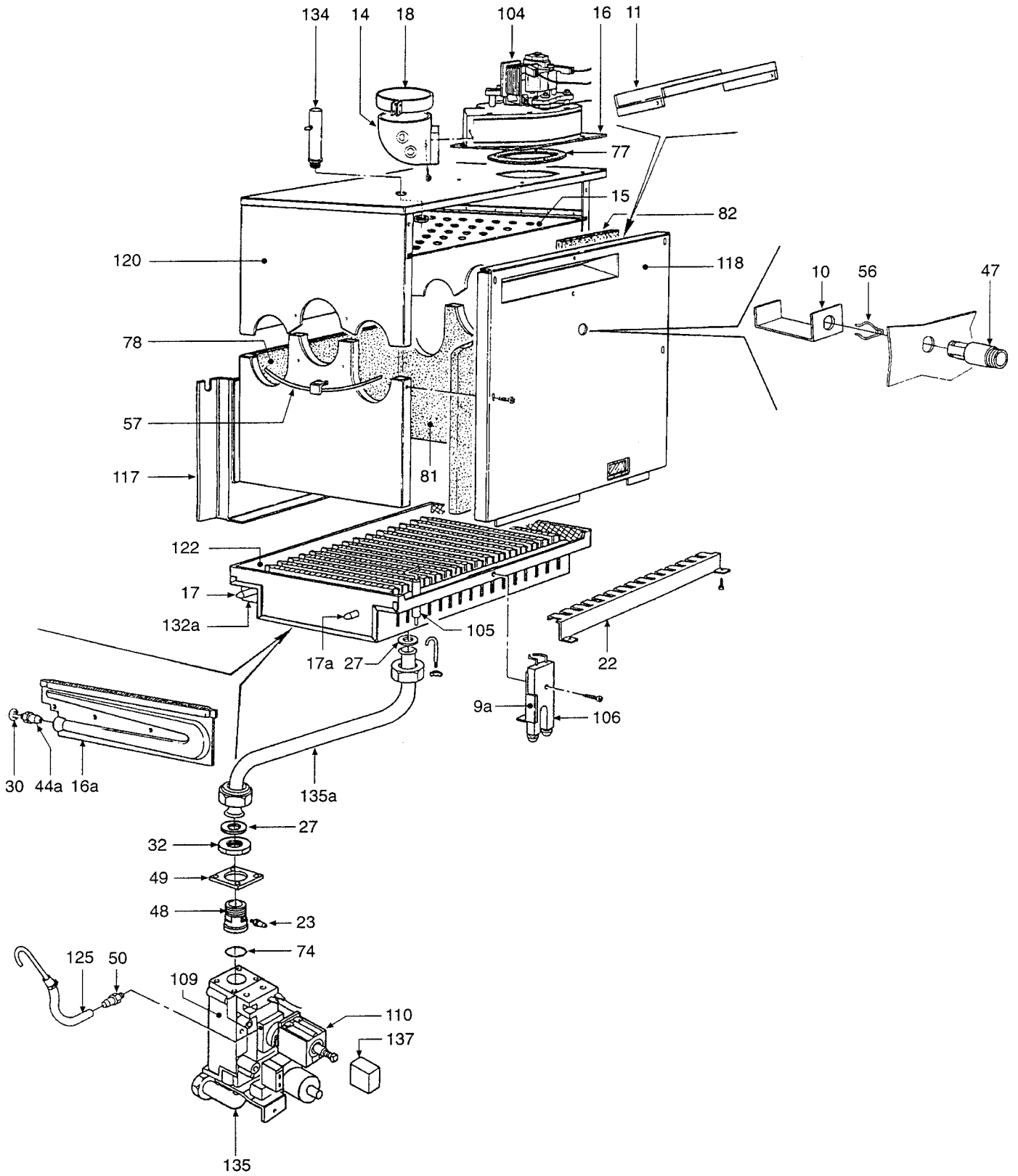
- LISTA PEZZI DI RICAMBIO
- SPARE PART LIST
- ERSATZSTEILE
- LISTE PIECES DETACHES
- LISTA PIEZAS DE REPUESTO

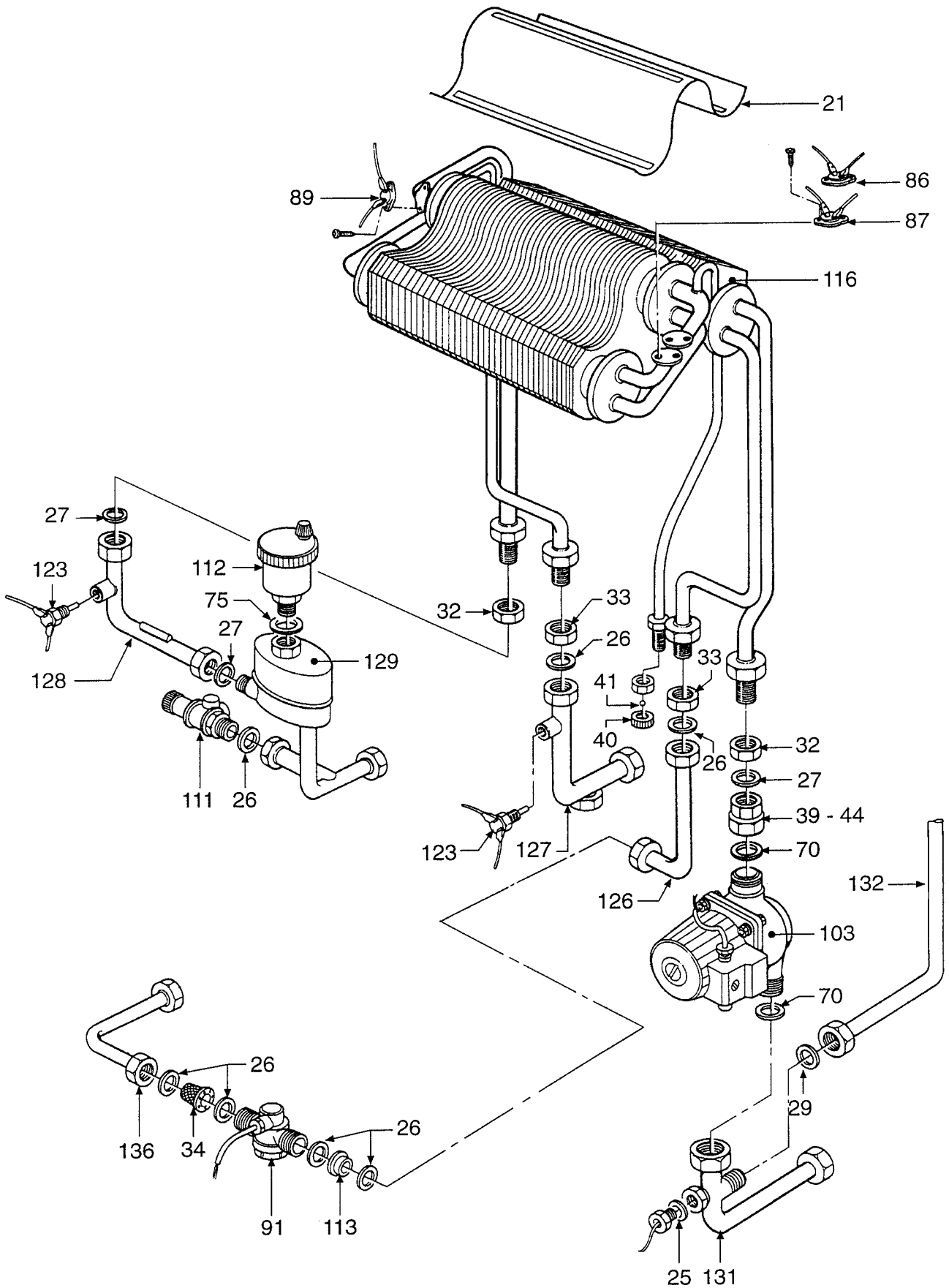


Appr. nr. B94.01 A - CE 0063 AQ 2150









FERROLI	OPTIMA 1001	DATE; 1.2.99
----------------	--------------------	---------------------

KEY	ITALIAN		ENGLISH		
	Code No;	Description	Code No;	G.C.No;	Price
1	3113562/0	Reversible side panel, painted "white"	813562	297-079	
2	3113770/0	Casing bottom plate, painted "white"	813566	297-089	
3	3113568/0	Top front panel, painted "white"	803600	297-080	
4	3113573/0	Bottom front panel, painted "white"	813573	297-088	
5	3113574/0	Front panel reinforcement, painted "white"	813574	297-087	
6	3120625/0	Bracket, expansion tank	811620	372-204	
7	3120646/0	Bracket, expansion tank, fixing	816460	372-205	
8	3120727/0	Plate for pilot burner pipes	817270	372-246	
9	3120766/0	Control box support bracket	817500	372-307	
9a	3120809/0	Spark electrode support	808090	297-071	
10	3120886/0	Bracket for chimney sweeping probe	811860	E05-908	
11	3200176/0	Air inlet rocker (comes with 802440)	Not req"	Cancel	
13	3211318/0	Spark electrodes door	811318	E06-521	
14	3211405/1	Flue gasses outlet bend (see 104)	Not req"	Cancel	
15	3211528/0	Flue gasses baffle plate	811280	E05-903	
16	3211623/0	Type "B" fan holding plate	Not req"	Cancel	
16a	3220224/0	Furigas main burner	812240	378-170	
17	3220238/0	Pin, 4 dia	802390	397-064	
17a	3220239/0	Pin 2.5 dia	802380	397-065	
18	3270042/0	Flue gasses, seal between cover and fan uni	800420	E05-914	
19	3270043/0	Flue fitting, cover/fan connection	811430	E05-915	
20	3270044/0	100 mm dia aluminium air intake plug	817440	E05-916	
21	3291032/0	Heat exchanger flue gasses baffle	891032	E06-397	
22	3291033/0	Grill for inter-ignition	809130	E06-398	
23	3340028/0	Pressure test point, 1/8" M conical fitting	816280	372-232	
24	3340087/0	Pressure test point, 1/8" M cyl fitting	810280	372-232	
25	3370038/1	Gasket 1/4"	810380	372-250	
26	3370040/1	Gasket 1/2"	810850	372-325	
27	3370041/1	Gasket 3/4"	810710	372-196	
28	3370048/0	Gasket e 16	810480	372-259	
29	3370053/0	Gasket 3/8"	810690	372-142	
30	3370089/0	Gasket 10 dia, aluminium	812870	372-324	
31	3400732/0	Female plug 1/2"	Not req"	Cancel	
32	3400743/0	Ring nut 3/4"	817430	372-193	
33	3400788/0	Ring nut 1/2"	817880	372-192	
34	3400808/0	Flanged cone filter for 1/2" fitting	800240	372-147	
35	3400839/0	Nut, 1/2"	Not req"	Cancel	
36	3400840/0	Nut, 3/4"	Not req"	Cancel	
37	3400843/0	Ring nut for pressure test point, 1/8"	818430	372-233	
38	3400847/0	Pin for slot-type coupling, M4	818470	372-203	
39	3400853/0	Pump coupling	813530	372-282	
40	3400855/0	Plug for air vent pipe	818550	372-151	
41	3400856/0	Ball for air vent pipe	818560	372-150	
44	3400880/0	Union nut 1* 1/2"	818880	372-281	
44a	3400937/0	Inyector 0.72 dia (LPG)	801480	386-175	

FERROLI	OPTIMA1001	DATE; 1.2.99
----------------	-------------------	---------------------

KEY	ITALIAN		ENGLISH		Price
	Code no;	Description	Code no;	G.C.No;	
44a	3400955/0	Inyector 1.15 dia (natural gaz)	809550	379-678	
45	3401024/0	Pressure test point, "air"	810240	372-378	
46	3401025/0	Pressure test point, "flue gasses"	810250	372-379	
47	3401091/2	Flue gasses test point bush	810912	E05-933	
48	3401097/0	Coupling downstream of gas valve	806097	E06-460	
49	3401098/0	Gas valve coupling plate	Not req"	Cancel	
50	3401106/0	Pressure test point for modulating coil	811060	E05-934	
51	3410043/1	Frame for inspection window glass piece	810430	372-256	
52	3410050/0	Plate, C72 Oteco	Not req"	Cancel	
53	3410052/0	Casing right-hand hinge	810052	397-091	
54	3410053/0	Casing left-hand hinge	810053	397-090	
55	3430035/0	Cable clamp spring	Not req"	Cancel	
56	3430036/0	Spring for flue gasses test point	800360	E05-939	
57	3440303/0	Draft diverter fixing rod	813030	372-170	
58	3450437/0	Flat washer foe 1/2" fitting	810850	372-325	
59	3450438/0	Flat washer foe 3/4" fitting	810710	372-196	
60	3450439/0	Stop ring 1/2"	Not req"	Cancel	
61	3450440/0	Stop ring 3/4"	Not req"	Cancel	
62	3500175/0	Gasket for pilot burner pipes	811750	372-247	
63	3500180/0	Instruments knob "white" ABS	811800	372-220	
64	3500301/0	Reset pushbutton knob	811703	297-047	
65	3500404/0	Hole plug, "grey" ABS	800404	E11-711	
67	3500411/0	Frame for instrument panel "grey" ABS	803580	E05-944	
67a	3500489/0	Potentiometer knob ABS	800407	E06-440	
68	3500526/1	Stencilled insert (see 67)	803580	E05-944	
69	3500410/0	Stencilled instrument panel (see 67)	803580	E05-944	
70	3510016/0	Gasket for 1* 1/2" fitting	810160	372-174	
71	3510034/2	Gasket e 34	Not req"	Cancel	
72	3510042/0	O-Ring 3043 for 1/2" fitting	Not req"	Cancel	
73	3510043/0	O-Ring 3062 for 3/4" fitting	Not req"	Cancel	
74	3510046/0	O-Ring 130	Not req"	Cancel	
75	3510050/0	O-Ring 3087	810500	372-180	
76	3510100/0	Gasket for 80mm dia tube (air intake)	810000	E05-949	
77	3510102/0	Fan plate gasket	Not req"	Cancel	
78	3531403/0	Combustion chamber rear insulation	814030	372-125	
79	3531524/0	Glass piece for 30 mm dia inspection window	815240	372-255	
80	3531525/0	Glass piece for inspection windows	815250	397-028	
81	3531528/3	Combustion chamber side insulation	815280	372-124	
82	3531672/0	Combustion chamber closing panel insulation	Not req"	Cancel	
83	3610024/0	Three-way switch	801230	372-225	
84	3610033/0	Unipolar reset illuminated pushbutton	Not req"	Cancel	
85	3640074/0	Thermohydrometer	801870	E03-349	
86	3640128/0	Limit thermostat	800160	386-577	
87	3640139/0	Minimum level thermostat	800180	386-828	

FERROLI	OPTIMA 1001	DATE; 1.2.99
----------------	--------------------	---------------------

KEY

88	3640140/0	Air pressure switch, Kromsch	800140	378-168	
88	3640162/0	Air pressure switch, Huba	800140	378-167	
89	3640170/0	Safety thermostat	801240	386-815	
91	3640186/0	Flow meter	803430	E03-340	
92	3650109/0	Two-stud terminal block	814460	372-159	
93	3650161/0	Cable gripper	814850	372-329	
94	3650387/0	Three-stud terminal block	813870	372-160	
95	3650486/0	Grommet	814860	408-780	
96	3650498/0	Plastic wiring box	812820	297-046	
98	3650501/0	Power line terminal block cover	Not req"	Cancel	
99	3650537/0	Electronic control unit	817530	372-302	
100	3650598/0	Dual-tab earthing rivet (attached to 802940)	Not req"	Cancel	
101	3650601/0	Control box cover	806010	E05-963	
102	3650602/0	Air pressure switch protection cover	806020	E05-964	
103	3660073/0	Pump, UPS 15-50 9K Grundfos	800600	386-814	
104	3660111/0	Fan	803860	E04-499	
105	3670182/3	Flame detection electrode	801430	297-045	
106	3670203/1	Spark electrode	801650	297-044	
107	3680177/0	Circular expansion tank, 71	811770	386-821	
108	3680221/0	Adapter (LPG)	Not req"	Cancel	
109	3680253/0	Gas valve, VR4605 NA Honeywell	802530	E03-853	
110	3680254/0	Modureg	818289	E05-970	
111	3690066/0	Safety valve 1/2"	800130	386-816	
112	3690088/0	Automatic air valve 1/2"	801160	394-246	
113	3690103/0	Flow rate regulator 11 litre	801220	379-987	
115	3710418/0	Boiler support frame, complete	813460	E05-971	
116	3740092/1	Complete heat exchanger	802170	372-245	
117	3740177/0	Complete combustion chamber	871770	297-054	
118	3740219/0	Combustion chamber closing panel, complete	802440	297-038	
119	3751310/0	Room sealed compartment closing panel, complete	813100	E05-975	
120	3751354/0	Complete smoke box	812290	297-055	
121	3751394/0	Complete room sealed compartment	802940	E05-977	
122	3790291/0	Complete burner holding drawer	802910	297-063	
123	3831080/7	Complete temperature sensor	800310	386-818	
124	3831671/0	Electronic board, VMF7, complete	803410	E03-327	
124a	3831686/0	Electronic board CP2, complete	802560	379-621	
125	3840437/0	Modulating coil pressure test point pipe	804370	E05-980	
126	3844320/0	D.H.W. flow switch connection pipe	819140	372-285	
127	3843654/4	D.H.W. flow pipe	811000	372-284	
128	3843655/1	Flow pipe between heat exchanger and air separator	816550	372-289	
129	3843661/1	Air separator	816610	372-139	
131	3840516/0	System return pipe	805160	E06-399	
132	3843686/3	Expansion tank connection pipe	816863	372-286	
132a	3844275/0	Gas manifold	843610	297-075	
134	3844220/2	Venturi assembly	812200	297-021	

