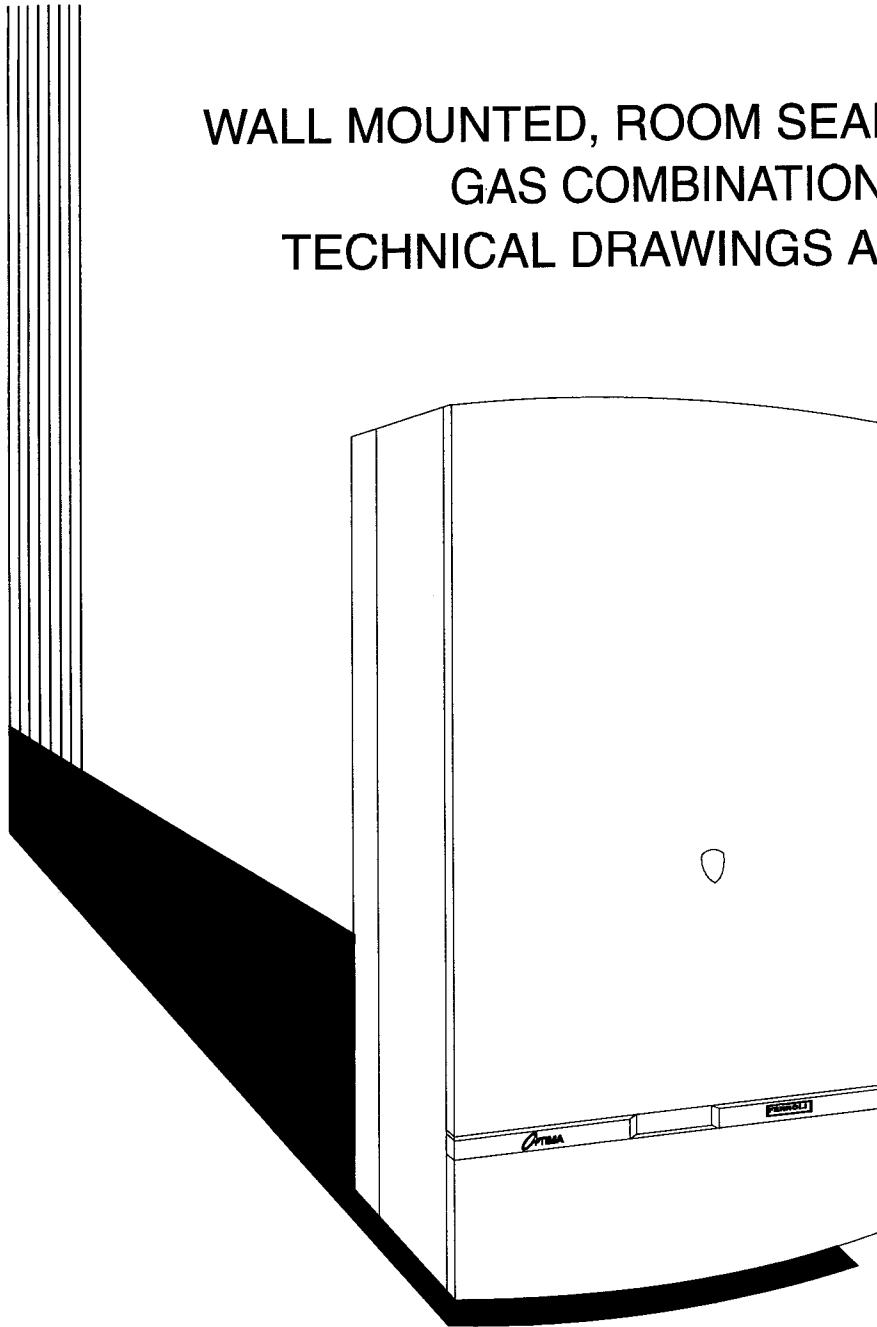




FERROLI OPTIMA 1000

WALL MOUNTED, ROOM SEALED, FAN ASSISTED
GAS COMBINATION BOILER
TECHNICAL DRAWINGS AND PARTS LIST

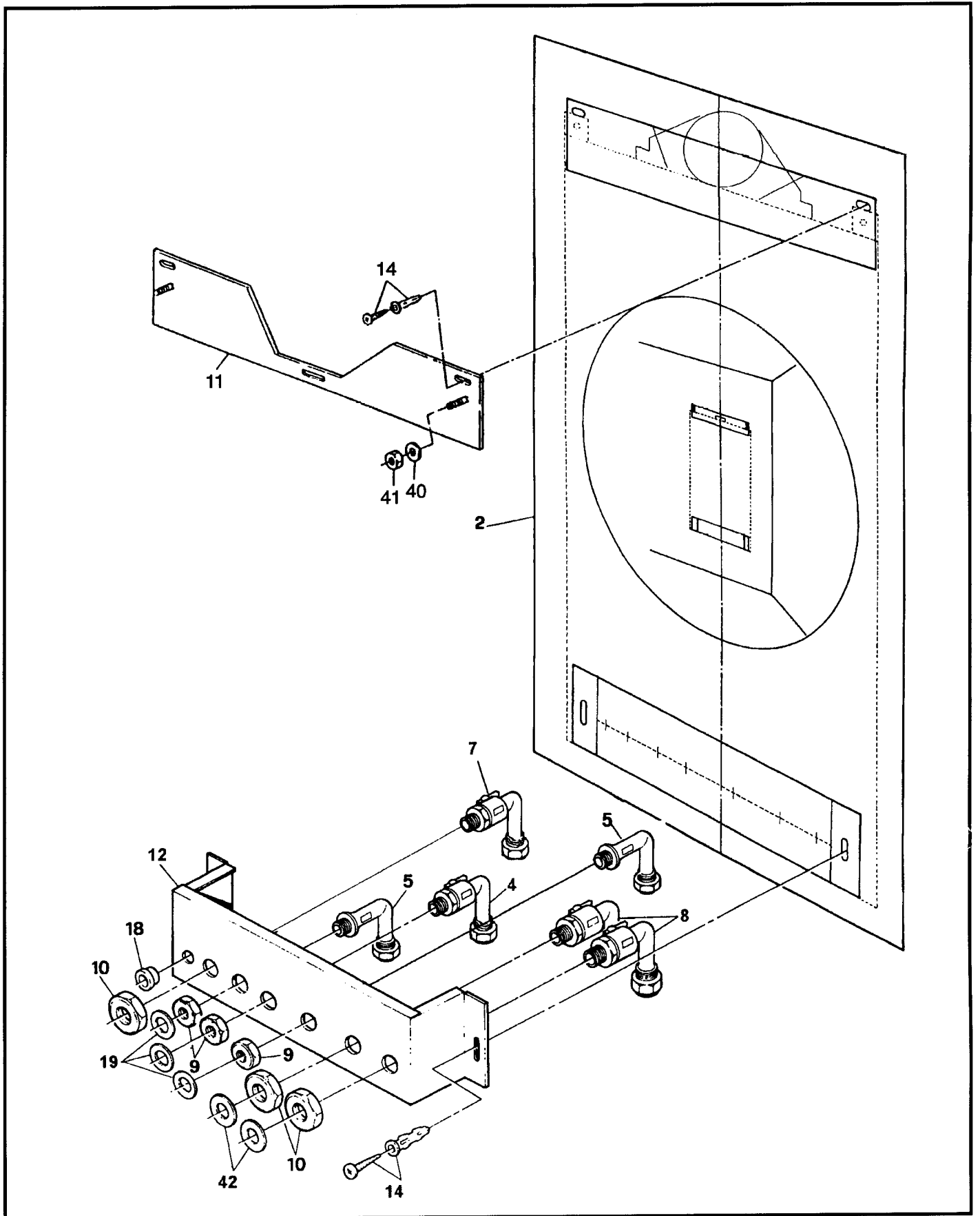


WRC. No. 9207075



ALL SPECIFICATIONS SUBJECT TO CHANGE

JIG BRACKET AND COCKS

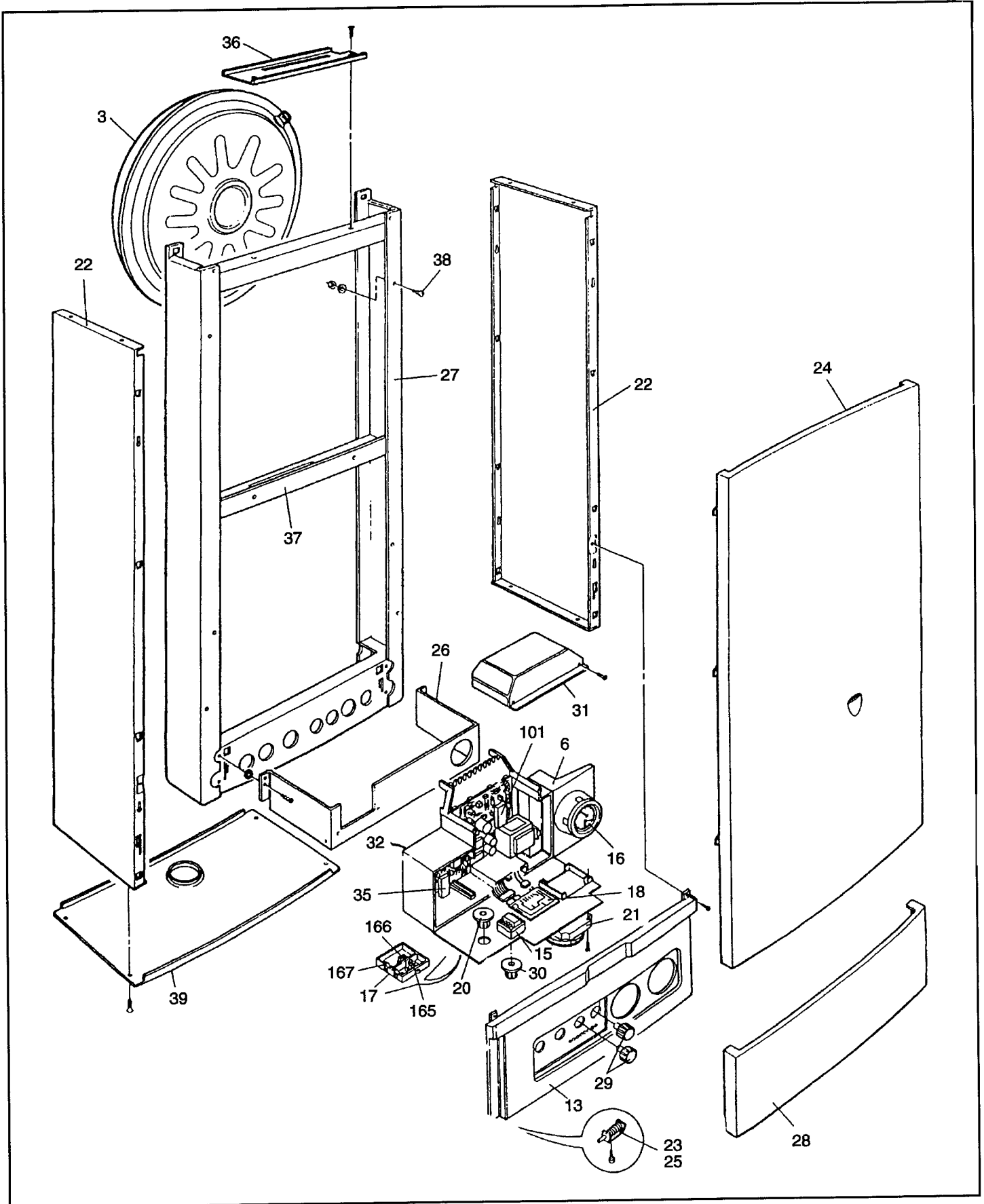


JIG BRACKET AND COCKS

Key G.C. No. Description

| | | | |
|----|---------|------------------------------------|---------|
| 2 | 373 295 | Template | 817 600 |
| 4 | 372 296 | Elbow - 15mm | 811 310 |
| 5 | 372 297 | Cock 15mm Comisa | 811 290 |
| 7 | 372 373 | Cock 22mm Comisa (gas) | 811 295 |
| 8 | 372 298 | Cock 22mm Comisa F & R | 811 300 |
| 9 | 372 192 | Nut - ½" | 817 880 |
| 10 | 372 193 | Nut - ¾" | 817 430 |
| 11 | 372 185 | Bracket mounting (top jig bracket) | 813 530 |
| 12 | 372 187 | Bracket - pipe fitting | 816 430 |
| 14 | 372 198 | Kit wall fixing | 816 980 |
| 18 | 408 780 | Bush | 814 860 |
| 19 | 372 325 | Gasket 18.5mm | 810 850 |
| 40 | 372 197 | Washer 24mm | 814 720 |
| 41 | 372 199 | Nut M8 | 812 000 |
| 42 | 372 196 | Gasket 24mm | 810 710 |

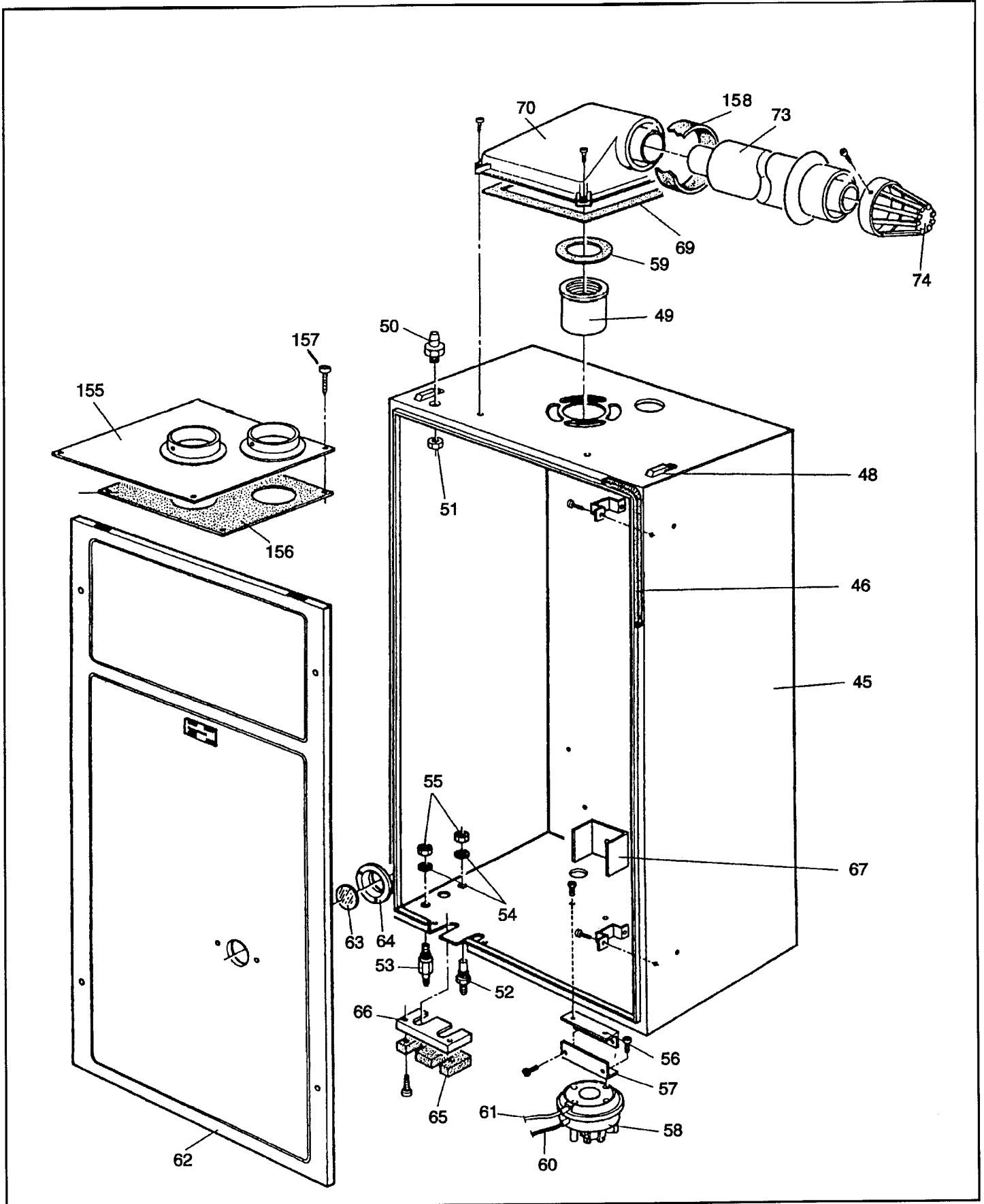
CASING ASSEMBLY AND CONTROL BOX



CASING ASSEMBLY AND CONTROL BOX

| Key | G.C. No. | Description | |
|-----|----------|--|---------|
| 3 | 386 821 | Expansion vessel CH | 811 770 |
| 6 | | Control box | 814 980 |
| 13 | | Facia panel | 850 003 |
| 15 | 372 225 | Selector switch Gottak 46 RCTK | 801 230 |
| 16 | 386 580 | Gauge - temperature/pressure | 800 300 |
| 17 | 372 302 | Plate - connector blocks | 817 530 |
| 18 | | Fault diagnostic/temperature control panel CPI | 803 110 |
| 20 | | Knob - reset | 811 703 |
| 21 | 397 811 | Clock | 800 510 |
| 22 | 297 079 | Casing - side L/R | 813 562 |
| 23 | 297 090 | Hinge - L/H | 810 053 |
| 24 | 297 080 | Panel - front upper | 813 568 |
| 25 | 297 091 | Hinge - R/H | 810 052 |
| 26 | 372 307 | Support - electric box | 817 500 |
| 27 | 372 202 | Frame - boiler | 813 460 |
| 28 | 297 088 | Door | 813 573 |
| 29 | | Knob CH/DHW thermostats | 800 407 |
| 30 | 372 219 | Knob - selector switch | 811 940 |
| 31 | 372 301 | Cover - electric box | 818 840 |
| 32 | | Extension - control box | 850 500 |
| 35 | 379 621 | PCB - ignition Honeywell S4561A 1015 | 802 560 |
| 36 | 372 205 | Bracket - upper CH expansion vessel | 816 460 |
| 37 | 372 204 | Bracket - lower | 811 620 |
| 38 | 372 203 | Pin - support | 818 470 |
| 39 | 297 089 | Bottom panel | 813 566 |
| 101 | 372 306 | PCB - VMF 6.1 | 802 540 |
| 165 | 372 160 | Connector block - Korner OK 432/3 | 813 870 |
| 166 | 372 228 | Connector block - Electrogibi - 160ST | 814 460 |
| 167 | 372 239 | Wire clamping - Carpaneto 3079 | 814 850 |

ROOM SEALED COMPARTMENT

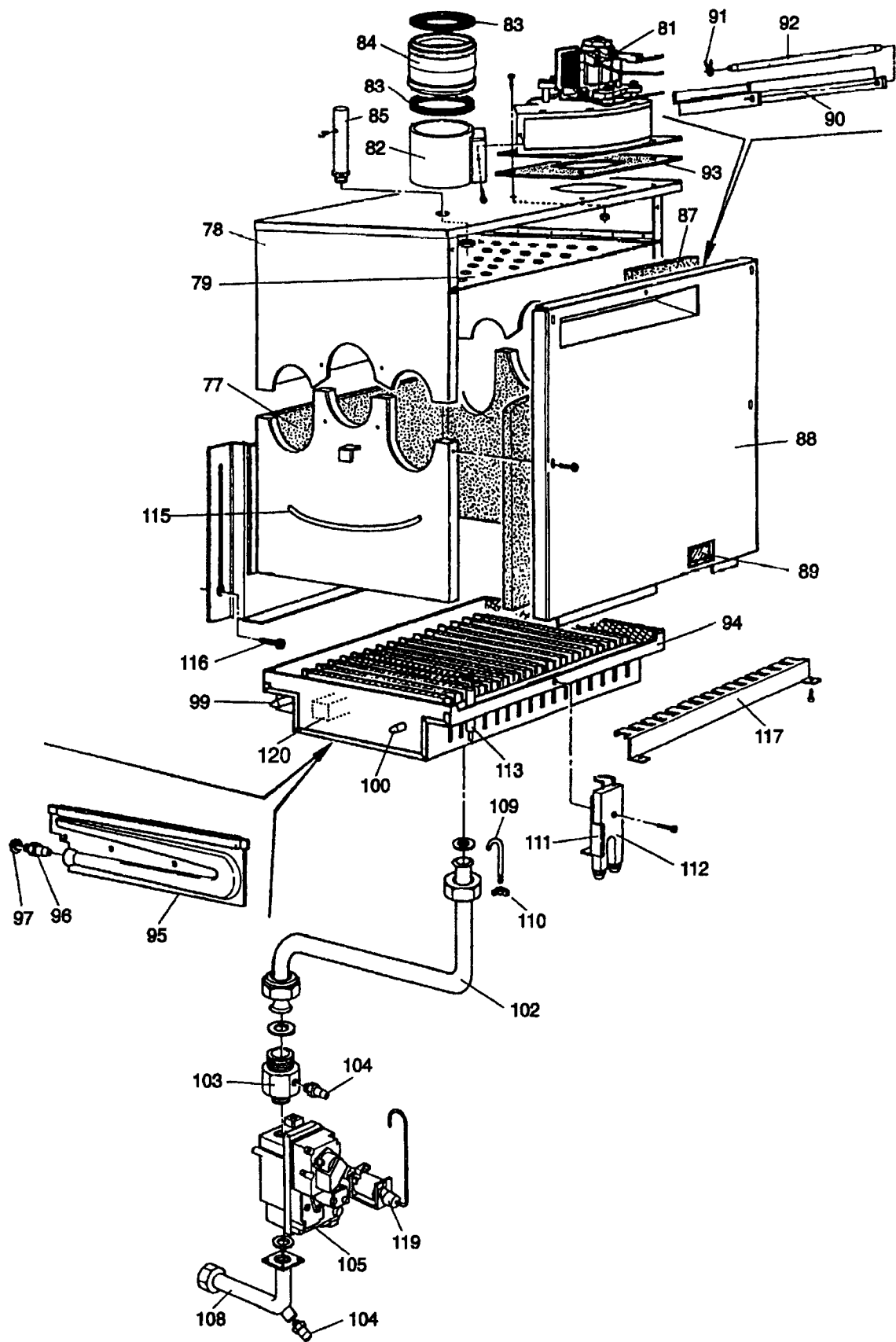


ROOM SEALED COMPARTMENT

Key G.C. No. Description

| | | | |
|-----|---------|---------------------------------------|---------|
| 45 | 297 048 | Room sealed compartment | 871 960 |
| 46 | 372 234 | Seal - room sealed compartment | 800 530 |
| 48 | 297 049 | Clip - buckle | 800 380 |
| 49 | 297 050 | Collar | 804 060 |
| 50 | 372 232 | Test point | 810 280 |
| 51 | 372 233 | Nut - for test point | 818 430 |
| 52 | 372 378 | Test point (air pressure) | 810 240 |
| 53 | 372 379 | Test point (flue pressure) | 810 250 |
| 54 | 372 259 | Washer - pressure test point | 810 480 |
| 55 | 372 233 | Nut - pressure test point | 818 430 |
| 56 | 297 051 | Support - upper - pressure switch | 818 130 |
| 57 | 297 052 | Support - lower - pressure switch | 818 141 |
| 58 | 378 167 | Air pressure switch - HUBA 602.99.146 | 800 140 |
| 59 | 372 270 | Gasket (flue/air hood) | 810 560 |
| 60 | 297 016 | Pipe silicon (red) | 815 210 |
| 61 | 297 016 | Pipe silicon (white) | 815 210 |
| 62 | 372 254 | Cover - room sealed compartment | 810 900 |
| 63 | 372 255 | Glass - spy | 815 240 |
| 64 | 372 256 | Flange - spy glass | 810 430 |
| 65 | 372 247 | Packing | 811 750 |
| 66 | 372 246 | Plate | 817 270 |
| 67 | 297 053 | Support - burner | 808 220 |
| 69 | 272 270 | Seal | 810 550 |
| 70 | 372 269 | Hood (flue/air intake) | 811 210 |
| 72A | 372 275 | Inner duct exhaust 60 x 750mm | 810 010 |
| 72B | 372 276 | Inner duct exhaust60 x 2000mm | 810 011 |
| 72C | 372 277 | Inner duct exhaust60 x 3000mm | 810 012 |
| 73A | 372 272 | Air intake duct 100 x 690mm | 810 013 |
| 73B | 372 273 | Air intake duct 100 x 2000mm | 810 014 |
| 73C | 372 274 | Air intake duct100 x 3000mm | 810 015 |
| 74 | 372 278 | Terminal | 800 570 |
| 155 | 372 365 | Two pipe adaptor plate | 825 080 |
| 156 | 372 366 | Gasket | 819 997 |
| 157 | 372 367 | Screw M4 x 16 | 819 996 |
| 158 | 372 321 | Sealing sleeve (flue hood to flue) | 810 620 |

GAS TRAIN AND COMBUSTION CHAMBER

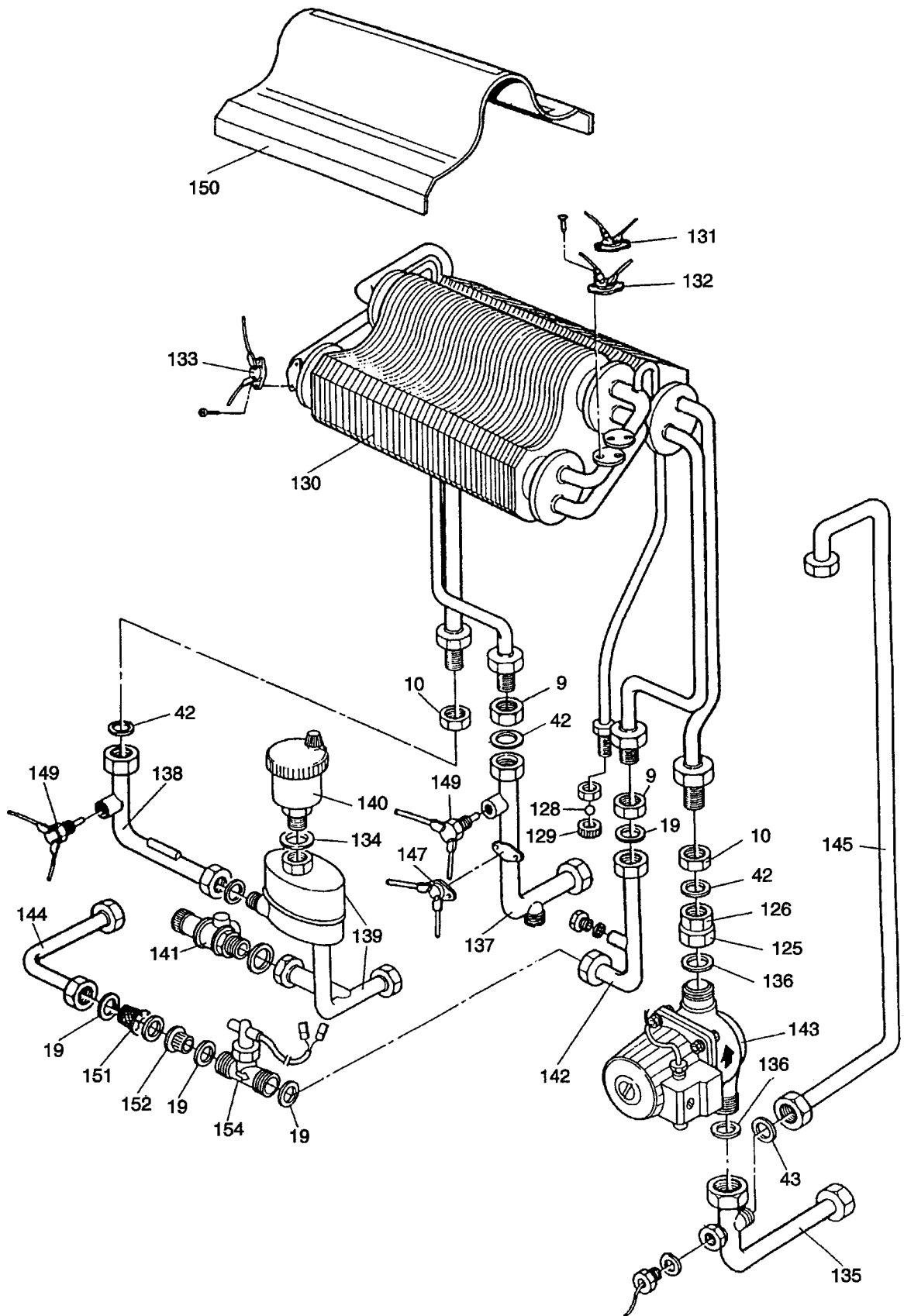


GAS TRAIN AND COMBUSTION CHAMBER

Key G.C. No. Description

| | | | |
|------|---------|--|---------|
| 75 | 297 054 | Combustion chamber | 871 770 |
| 76 | 372 124 | Insulation - side - combustion chamber | 815 280 |
| 77 | 372 125 | Insulation - rear - combustion chamber | 814 030 |
| 78 | | Flue - collector box | 812 290 |
| 79 | | Flue outlet deflector | 874 720 |
| 81 | 297 037 | Fan assembly | 802 430 |
| 82 | | Fan/flue spigot | 874 050 |
| 83 | | Gasket 80mm | 810 760 |
| 84 | | Flue turret connector | 874 070 |
| 85 | 297 021 | Venturi | 812 200 |
| 86 | 372 192 | Nut - Venturi - ½" | 817 880 |
| 87 | | Insulation - front - combustion chamber | 816 720 |
| 88 | 297 038 | Cover - combustion chamber C/W damper | 802 440 |
| 89 | | Glass - spy - combustion chamber cover | 815 250 |
| 90 | | Damper | 800 176 |
| 91 | | Locking spring | 830 034 |
| 92 | | Damper pin 3 dia | 801 085 |
| 93 | | Fan plate insulation | 831 656 |
| 94 | | Burner assembly | 802 910 |
| 95 | | Burner bar - Furigas | 812 240 |
| 96 | | Injector - main NG Polidoc 1.15 | 809 550 |
| 96A | 297 043 | Injector - main LPG 0.72 ART NP Ferroli | 801 850 |
| 97 | 297 039 | Cable - flame sensing | 801 830 |
| 98 | 297 040 | Cable - ignition electrode | 801 840 |
| 99 | | Support - burner - rear | 802 390 |
| 100 | | Support - burner - front | 802 380 |
| 102 | | Pipe - gas valve to burner | 842 930 |
| 103 | | Connector - C/W test point | 810 330 |
| 104 | 372 232 | Test point - gas | 810 280 |
| 105 | | Gas valve Honeywell VR4605NA 2007 ½" | 802 530 |
| 106 | 372 263 | Tube - modulating balance | 816 920 |
| 107 | | Gasket | 800 740 |
| 108 | | Pipe - inlet gas | 844 450 |
| 109 | | Hook - burner fixing | 802 270 |
| 110 | | Nut - wing for 109 | 804 960 |
| 111 | 297 044 | Electrode - ignition ART 754243 CAST | 801 650 |
| 112 | | Support - electrode | 808 090 |
| 113 | 297 045 | Electrode - flame sensing ART 053051 CAST | 801 430 |
| 115 | 386 170 | Spring - hood fixing | 813 030 |
| 116 | 372 203 | Support pin | 818 470 |
| 117 | | Frame - burner to front | 809 130 |
| 118 | | Gasket - ½" | 810 410 |
| 119 | 379 955 | Modulating regulator Honeywell V7335A 2067 | 818 290 |
| 120 | | Manifold - C/W NG injectors 1.15 | 843 610 |
| 120A | | Manifold - C/W LPG injectors 0.72 | 843 600 |
| 124 | | Manifold - no injectors | 844 275 |

HEAT EXCHANGER FOR CH AND DHW AND PIPES



HEAT EXCHANGER FOR CH AND DHW AND PIPES

Key G.C. No. Description

| | | | |
|-----|---------|--------------------------------------|---------|
| 9 | 372 192 | Nut - ½" | 817 880 |
| 10 | 372 193 | Nut - ¾" | 817 430 |
| 19 | 372 325 | Gasket - 18.5mm | 810 850 |
| 42 | 372 196 | Gasket - 24mm | 810 710 |
| 43 | 372 142 | Gasket CH expansion vessel | 810 380 |
| 121 | 372 322 | Spring - thermostat fixing | 810 290 |
| 125 | 372 281 | Nut - pump 1½" | 818 800 |
| 126 | 372 282 | Pump connection | 818 530 |
| 127 | 372 283 | Nut M6 - heat exchanger vent | 811 070 |
| 128 | 372 150 | Sphere - heat exchanger vent | 818 560 |
| 129 | 372 151 | Cap - heat exchanger vent | 818 550 |
| 130 | 372 245 | Heat exchanger | 802 170 |
| 131 | 386 828 | Thermostat - frost Elmwood L14C | 800 180 |
| 132 | 386 577 | Thermostat - CH limit Elmwood 88°C | 800 160 |
| 133 | 386 815 | Thermostat - overheat 100°C Elmwood | 801 240 |
| 134 | 372 180 | Gasket - 'O' ring 3087 | 810 500 |
| 135 | 372 140 | Pipe - CH return | 819 060 |
| 136 | 372 153 | Gasket - pump 45mm | 810 160 |
| 137 | 372 323 | Outlet pipe - domestic hot water | 811 000 |
| 138 | 372 289 | Pipe - CH flow to air separator | 816 550 |
| 139 | 372 291 | Separator - auto air vent | 816 610 |
| 140 | 394 246 | Auto air vent | 801 160 |
| 141 | 386 816 | Safety valve | 800 130 |
| 142 | 372 285 | Pipe - flow switch to heat exchanger | 819 140 |
| 143 | 386 814 | Pump - Grundfos 15.50 | 800 600 |
| 144 | 372 288 | Pipe - inlet to flow switch | 819 050 |
| 145 | 372 286 | Pipe - expansion vessel - CH | 816 863 |
| 147 | 386 576 | Thermostat - DHW limit 70°C | 801 000 |
| 149 | 386 818 | Sensor CH and DHW | 800 310 |
| 150 | | Exchanger frame | 891 032 |
| 151 | 372 147 | Filter | 800 240 |
| 152 | 386 829 | Limiter | 810 530 |
| 154 | 379 035 | Flow switch - Caleffi | 800 120 |
| | | Installation Instructions | 824 100 |
| | | Users Instructions | 823 100 |