

FERROLI

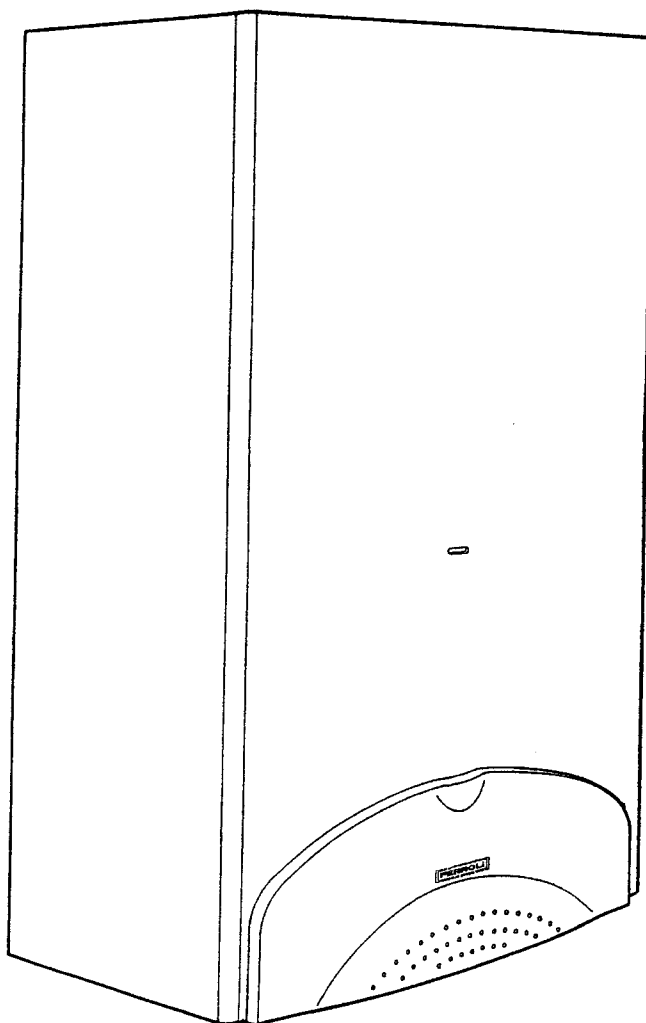
MODENA 80 E



- LISTA PEZZI DI RICAMBIO
- SPARE PART LIST
- ERSATZSTEILE
- LISTE PIECES DETACHES
- LISTA PIEZAS DE REPUESTO

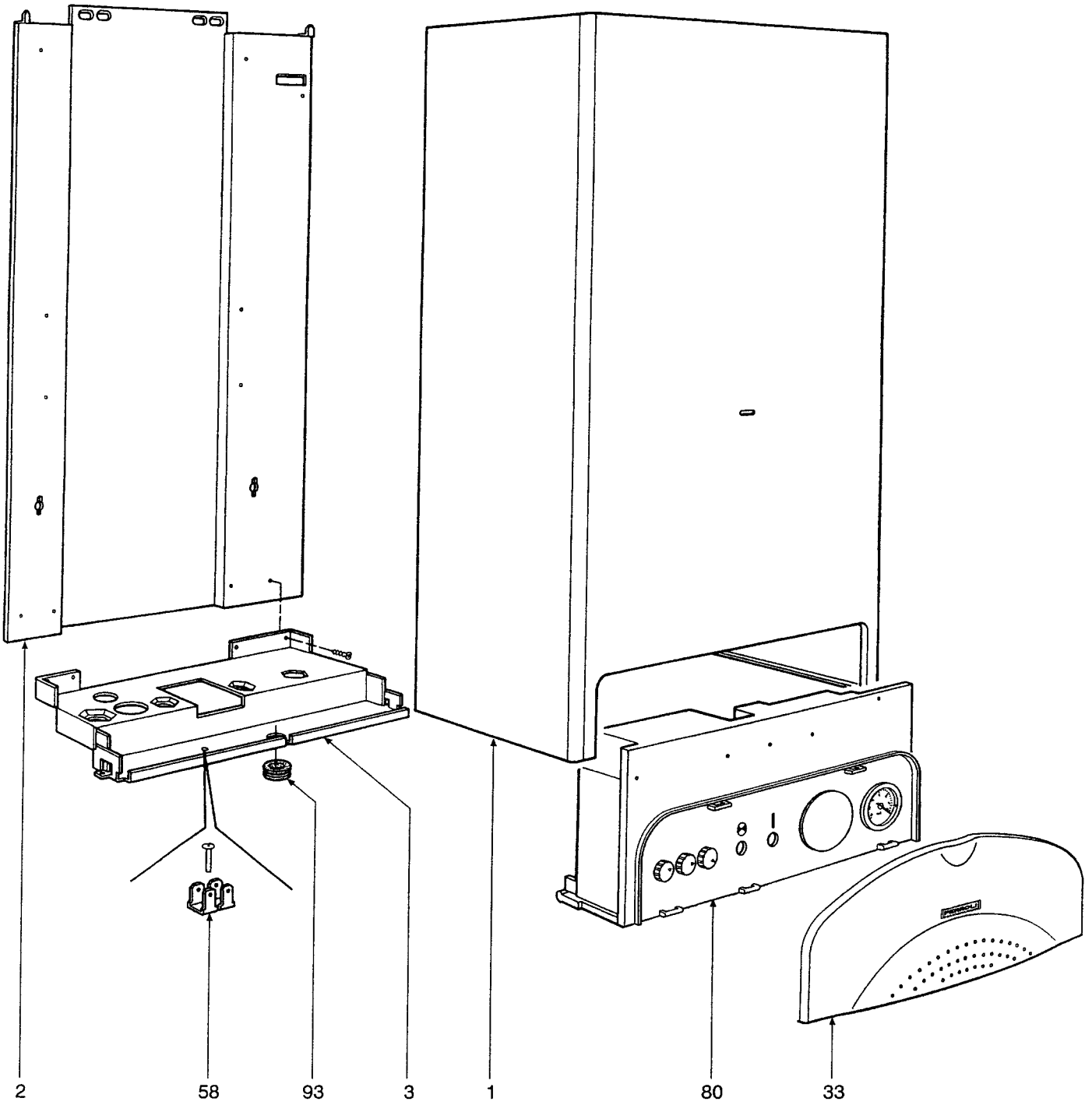


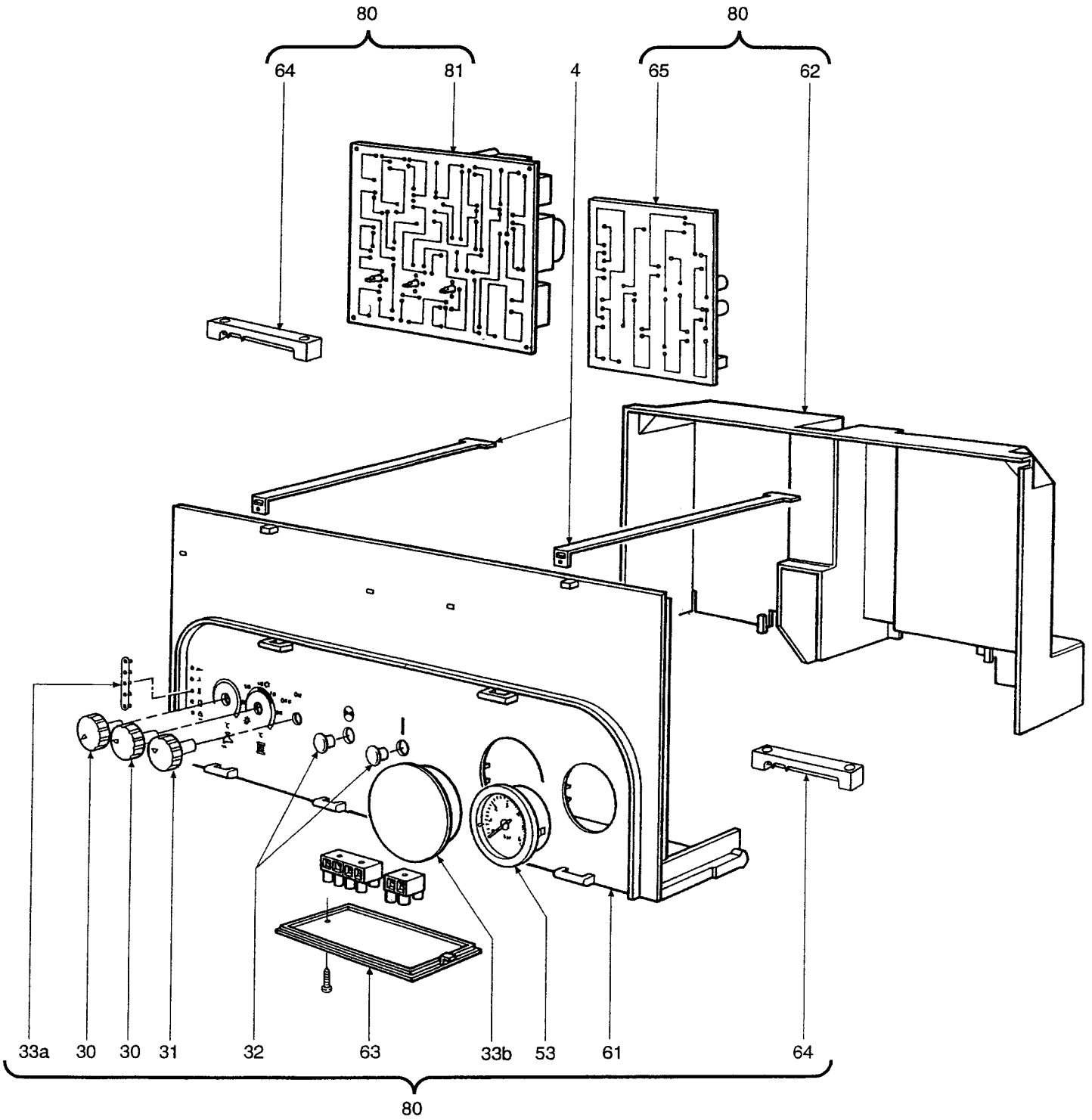
MFO2 MODEL

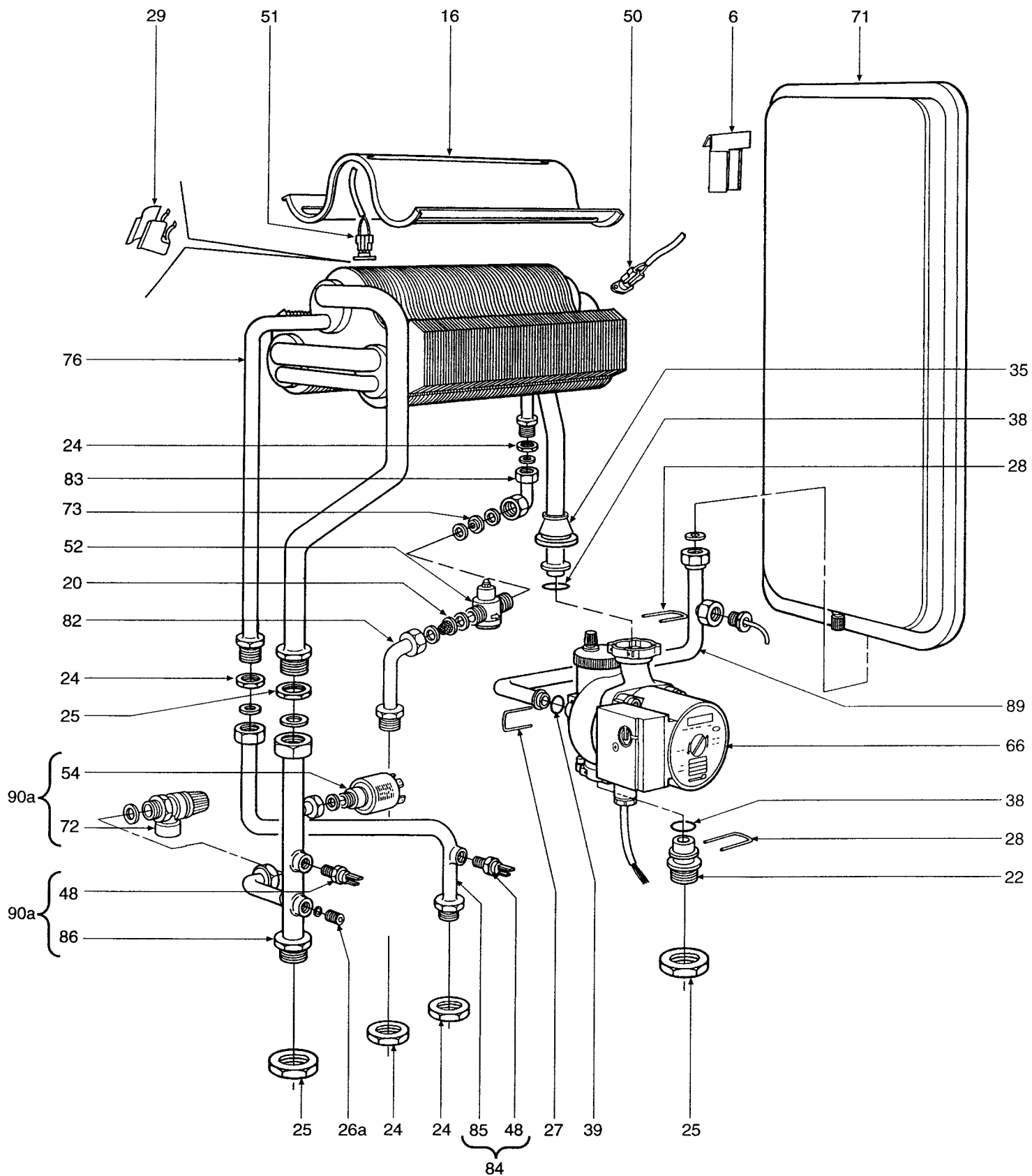


Appr. nr. B98.01 A - CE 0063 AT 4967

| CODICE | EDIZIONE | MERCATO | VISTO |
|-----------|----------|---------|-------|
| 30R0264/0 | 09-98 | GB | |







| | | |
|----------------|--------------------|--------------------|
| FERROLI | MODENA 80 E | DATE;1.4.99 |
|----------------|--------------------|--------------------|

| KEY | G.C.No; | Description | ITALIAN Code No; | ENGLISH Code No; |
|-----|---------|---------------------------------------|---------------------|---------------------|
| 1 | E05-920 | Casing "White" | 3114205/0 | 800880 |
| 2 | E23-878 | Front wall Frame | 3121000/0 | 806000 |
| 3 | E05-926 | Boiler Bottom Frame | 3121001/1 | 806001 |
| 4 | E05-927 | Control Box Support Bracket | 3121002/0 | 806002 |
| 7 | - | Combustion Chamber | 3200224/0 | - |
| 8 | - | Flue Gas Fixing Pipe | 3211703/0 | - |
| 9 | - | Fan Holder Plate | 3211733/0 | - |
| 10 | - | Union Between Fan And Cover | 3211709/0 | - |
| 11 | E05-930 | Panel - Room sealed Cover,Complete | 3211710/0 | 806771 |
| 12 | E23-879 | Room Sealed Compartment | 3211711/0 | 806711 |
| 13 | E23-884 | Burner Assembly , Complete (12 Head) | 3220276/0 | 806732 |
| 13a | E23-876 | Window Glass | 3220275/0 | 802750 |
| 14 | E05-916 | Air Intake Plug 100mm,Aluminium | 3270044/0 | 817440 |
| 15 | E23-885 | Diaphragm,Flue Restrictor 45'dia | 3270060/0 | 807600 |
| 15 | E23-886 | Diaphragm,Flue Restrictor 47'Dia | 3270061/0 | 807610 |
| 15 | E23-888 | Diaphragm,Flue Restrictor 50'Dia | 3270062/0 | 807620 |
| 16 | E05-932 | Flue Gases Baffle | 3291302/0 | 806302 |
| 19 | - | Pin For Slot-Type Coupling,M5 | 3400088/0 | - |
| 20 | 372-147 | Flanged Cone Filter For 1/2" Fitting | 3400808/0 | 800240 |
| 21 | E11-756 | Injector 0.77 (LPG) (12 Head) | 3400965/1 | 809650 |
| 21 | E05-952 | Injector 1.30 (NG) (12 Head) | 3400974/1 | 806731 |
| 22 | E05-955 | Pump Coupling | 3401141/0 | 806808 |
| 23 | E23-826 | Gas Valve Flange | 3401146/0 | 806146 |
| 24 | 372-192 | Ring Nut 1/2" | 3401151/0 | 817880 |
| 25 | 372-193 | Ring Nut 3/4" | 3401152/0 | 817480 |
| 26 | - | Pressure Test Point "Venturi" | 3510132/0 | See 67 |
| 27 | E23-827 | Plug For Ext.diam. Pipe | 3430037/0 | 800361 |
| 28 | E23-828 | Plug For Ext.Diam.Pipe | 3430038/0 | 800362 |
| 29 | E23-829 | Spring - Thrmostat Fixing Spring | 3430039/2 | 806039 |
| 29a | - | Spring | 3430042/0 | See77 |
| 29b | E23-972 | Plug-Test Point,12mm Silicone | 3500615/0 | 800400 |
| 30 | E23-830 | Potentiometer Knob | 3500721/0 | 806721 |
| 31 | E23-831 | Selector switch Knob | 3500722/0 | 806722 |
| 32 | E23-832 | Plug , ABS | 3500723/0 | 806723 |
| 33 | E23-833 | Drop - Down Panel | 3500729/0 | 800729 |
| 33a | - | Plug for LED's | 3500740/0 | See32 |
| 33b | E06-478 | Blanking Disc - Clock Blanking Disc | 3500742/0 | 800444 |
| 34 | E06-482 | Gasket With Guide , 27,5 | 3510059/0 | 806059 |
| 35 | E23-834 | Conical Cone Insert Gasket | 3510097/0 | 806197 |
| 36 | - | Gasket for 80mm Dia Tube | 3510098/0 | - |
| 37 | - | Gasket for 80mm Dia Tube (Air Intake) | 3510100/0 | - |
| 38 | E23-835 | O-ring 17x4.5 | 3510112/0 | 802111 |
| 39 | E23-836 | O-ring 13x3 | 3510113/0 | 802114 |
| 41 | 372-378 | Pressure Test Point "Air" | 3510115/0 | 810240 |

| | | |
|----------------|--------------------|--------------------|
| FERROLI | MODENA 80 E | DATE;1.4.99 |
|----------------|--------------------|--------------------|

| KEY | G.C.No; | Description | ITALIAN | ENGLISH |
|-----|---------|---|-----------|----------|
| | | | Code No; | Code No; |
| 42 | E23-838 | Gasket Between Gas Header & Room sealed Compart | 3510129/0 | 806129 |
| 42a | - | Pressure Test Point , "Flue Gases" | 3510143/0 | See 79 |
| 43 | - | Gasket For 56mm Dia,Tube | 3510145/0 | - |
| 44 | 297-028 | Glass Piece for Inspection Windows | 3531525/0 | 815250 |
| 45 | - | Combustion Chamber Side Insulation | 3532059/0 | See 77 |
| 46 | - | Combustion Chamber Rear Insulation | 3532060/0 | See 77 |
| 47 | - | Combustion Chamber Panel Insulation | 3532061/0 | See 77 |
| 48 | E23-839 | Sensor - DHW & Central Heating | 3620050/0 | 800320 |
| 49 | E23-840 | Air Pressue Switch | 3640006/0 | 800150 |
| 50 | 386-577 | Thermostat 88 Degree,Central Heating | 3640009/0 | 800160 |
| 51 | 386-815 | Gold Plated Contacts 100 Thermostat Overheat | 3640010/0 | 801240 |
| 52 | E03-340 | Flow Meter | 3640186/0 | 803430 |
| 53 | E03-349 | Pressure Gauge | 3640187/0 | 801870 |
| 54 | E23-841 | Water Pressure switch , 1/4" | 3640193/0 | 803931 |
| 55 | E23-842 | Silicone ,Transparent Tube (210mm x 4mm) | 3650495/0 | 806495 |
| 56 | E23-843 | Silicone ,Red Tube (210 x 4mm) | 3650521/0 | 806521 |
| 57 | - | Conical Grommet For 16mm Hole | 3650538/0 | - |
| 58 | - | Earthing rivet | 3650572/0 | - |
| 59 | E23-844 | Pipe,int.diam.(230mm x 4mm) | 3650622/0 | 806622 |
| 60 | - | Snap in Grommet | 3650631/0 | - |
| 61 | E23-916 | Facia Panel,Domina/Modena | 3650646/0 | 806646 |
| 62 | E23-845 | Cover - PCB Protecting Cover,Domina/Modena | 3650633/0 | 806633 |
| 63 | E23-846 | Cover - Electrical Cover,Domina/Modena | 3650634/0 | 806634 |
| 64 | - | Cable Grip | 3650651/0 | - |
| 65 | E23-848 | PCB-Ignition PCB,Honeywell S4562DM | 3650655/0 | 800655 |
| 66 | 386-814 | Pump , Grunfos 15-50 9K(head replacement Only) | 3660120/0 | 800600 |
| 66 | E23-849 | Pump c/w "Black Plastic" | - | 800114 |
| 67 | E23-851 | Fan Assembly | 3844957/0 | 800480 |
| 68 | E23-853 | Electrode,Spark c/w Rectangular Mounting Plate | - | 806460 |
| 68a | E23-854 | Lead,Spark Lead | - | 806130 |
| 69 | E23-855 | Electrode,Flame Sensing | 3670247/0 | 801438 |
| 69a | E23-856 | Lead,Flame Sensing Lead | - | 801439 |
| 70 | E23-768 | Gas Valve,Honeywell VK 4105 G 1005 | 39804880 | 804880 |
| 71 | E11-770 | Expansion Vessel , 7ltr | 3680264/0 | 800108 |
| 72 | 386-816 | Safety Valve 1/2" 3Bar | 3690066/0 | 800130 |
| 73 | 379-987 | Flow Limiter 7 ltr | 3690127/0 | 801250 |
| 75 | E23-858 | Complete Combustion Chamber | 3740271/0 | 806271 |
| 76 | E23-919 | Heat Exchanger (Short Leg) | 3740272/0 | 802180 |
| 77 | E23-859 | Combustion Chamber Panel,Complete | 3740273/0 | 806273 |
| 78 | - | Complete Room sealed Compartment | 3751512/0 | - |
| 79 | E23-860 | Smoke Box , Complete | 3751514/0 | 806528 |
| 80 | - | Wiring , Complete Set | 3831873/0 | - |
| 81 | E23-861 | PCB-MF02 Main Honeywell,W4115BM 1024 | 3831873/0 | 801873 |
| 82 | E23-894 | Pipe - DHW Inlet Pipe | 3840904/0 | 809040 |

