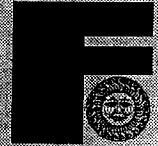




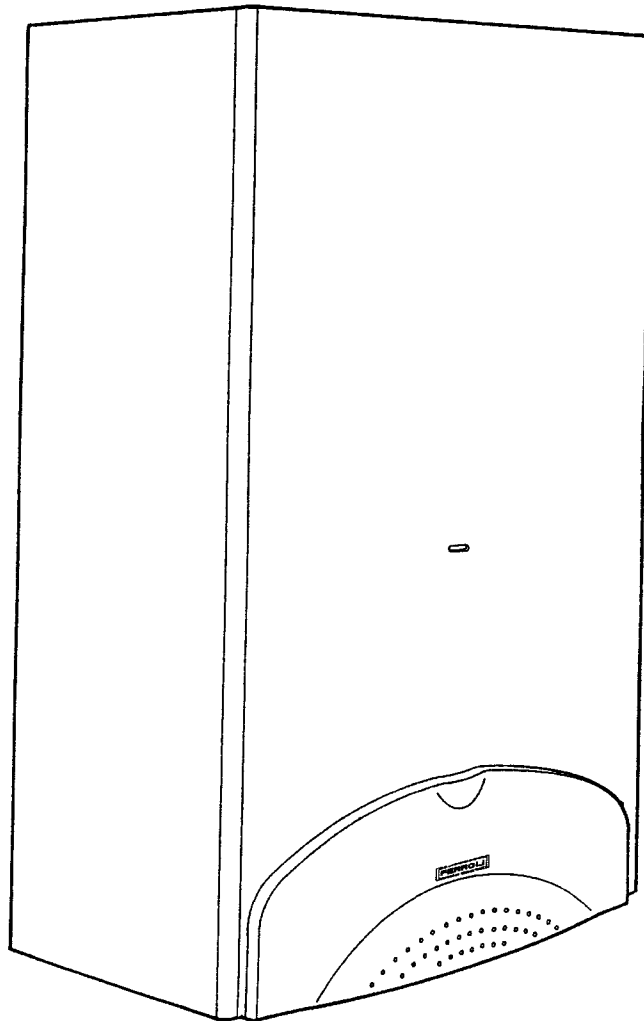
# MODENA 80 E



- LISTA PEZZI DI RICAMBIO
- SPARE PART LIST
- ERSATZSTEILE
- LISTE PIECES DETACHES
- LISTA PIEZAS DE REPUESTO

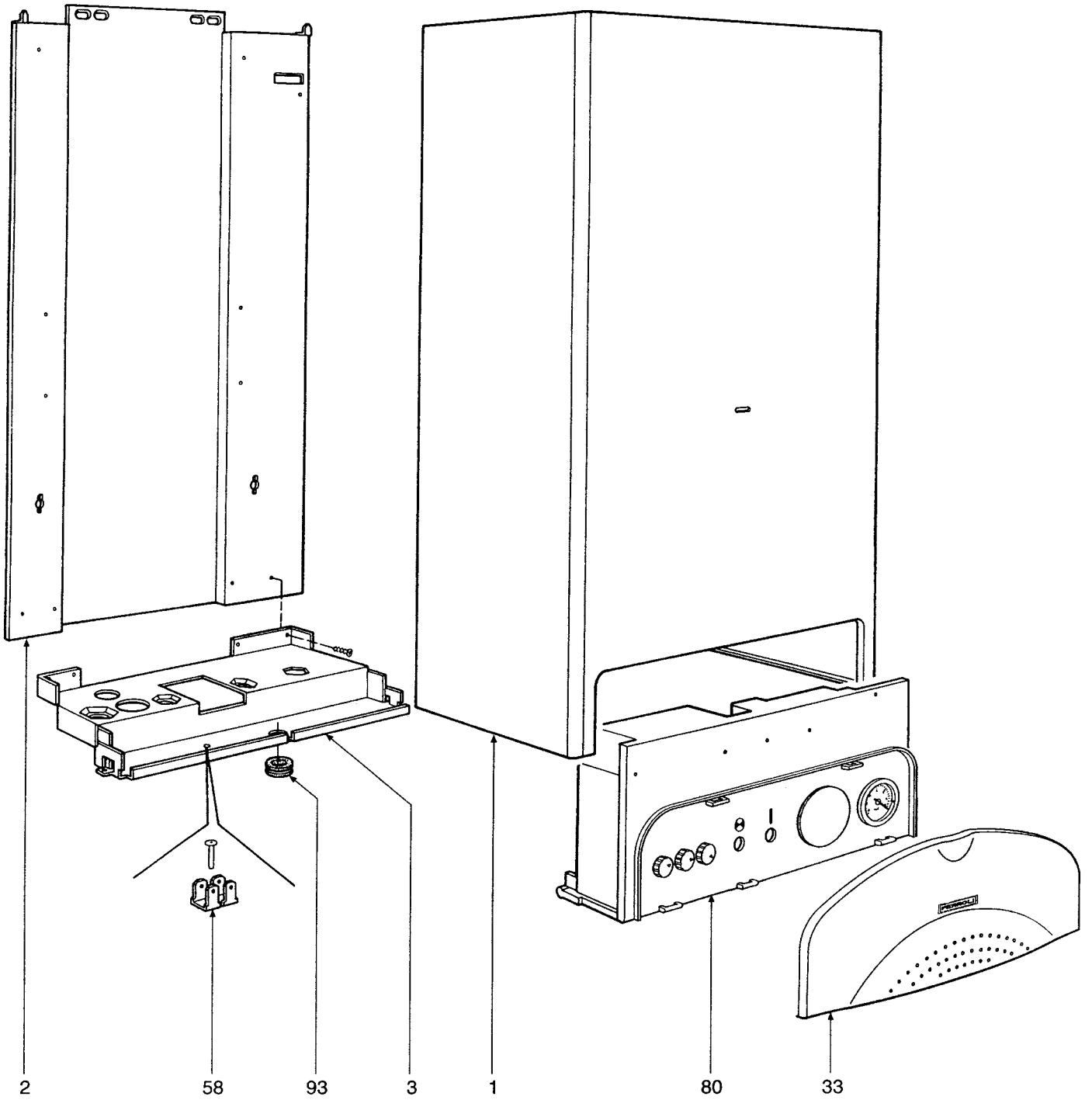


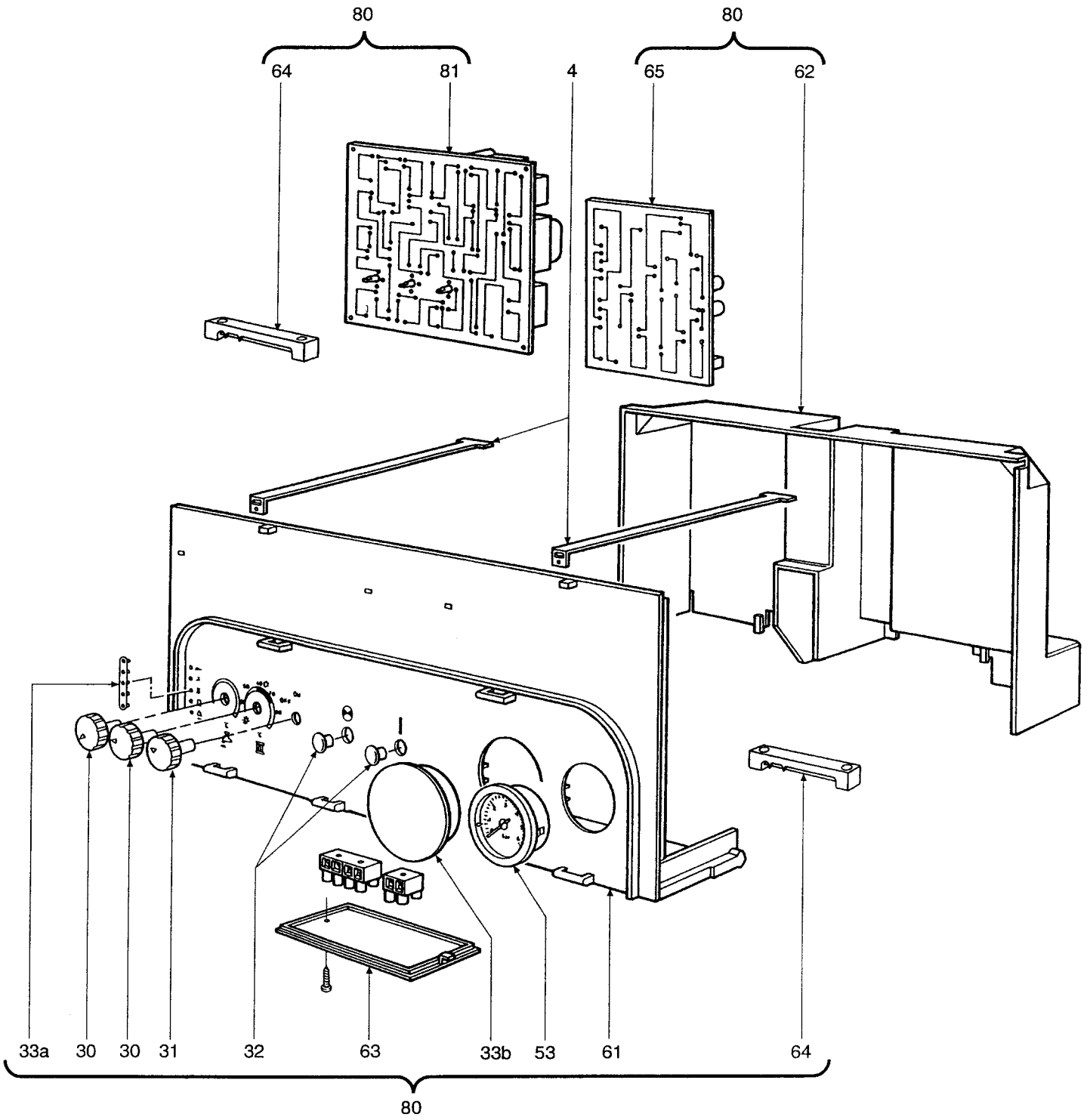
## MF01 MODEL

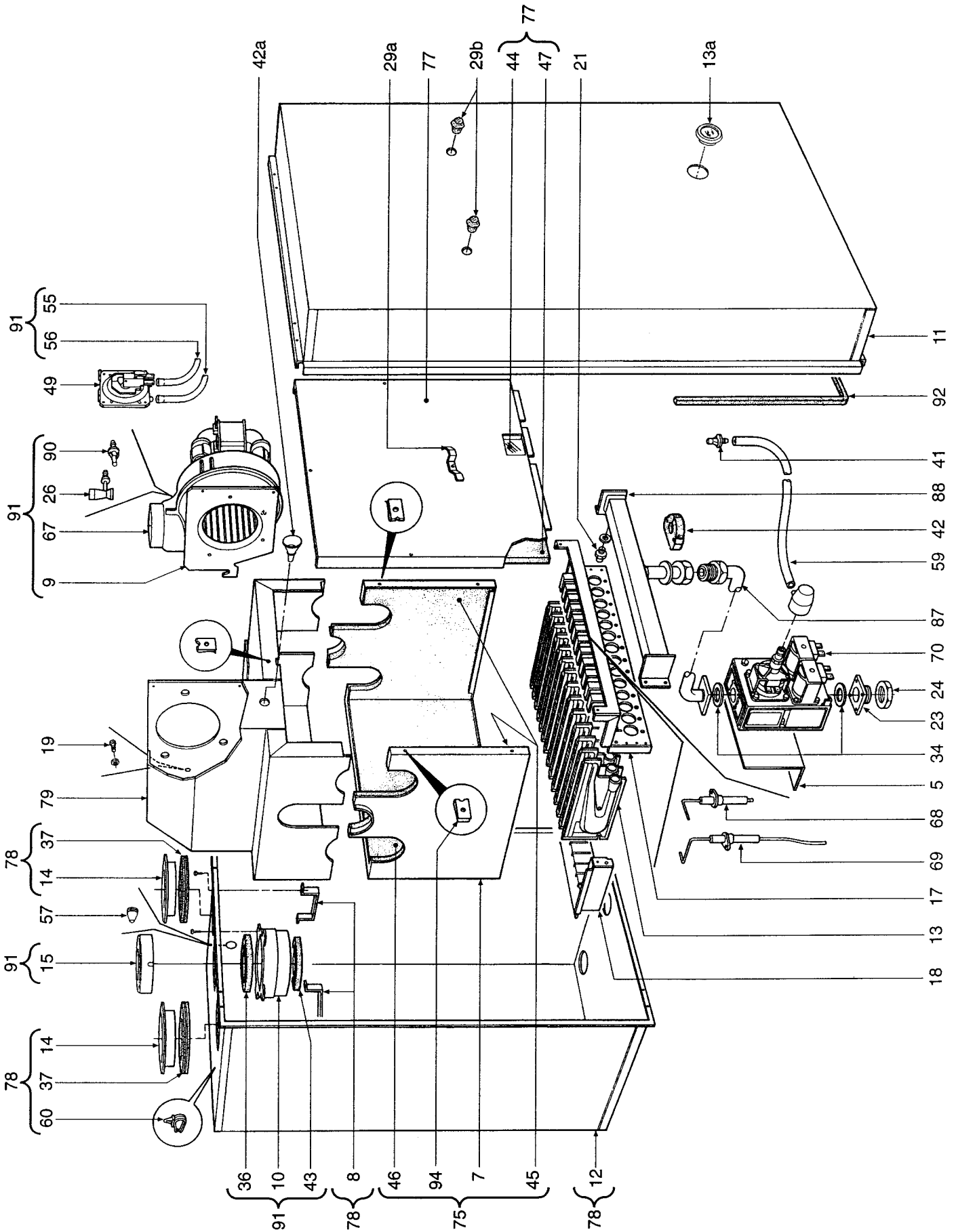


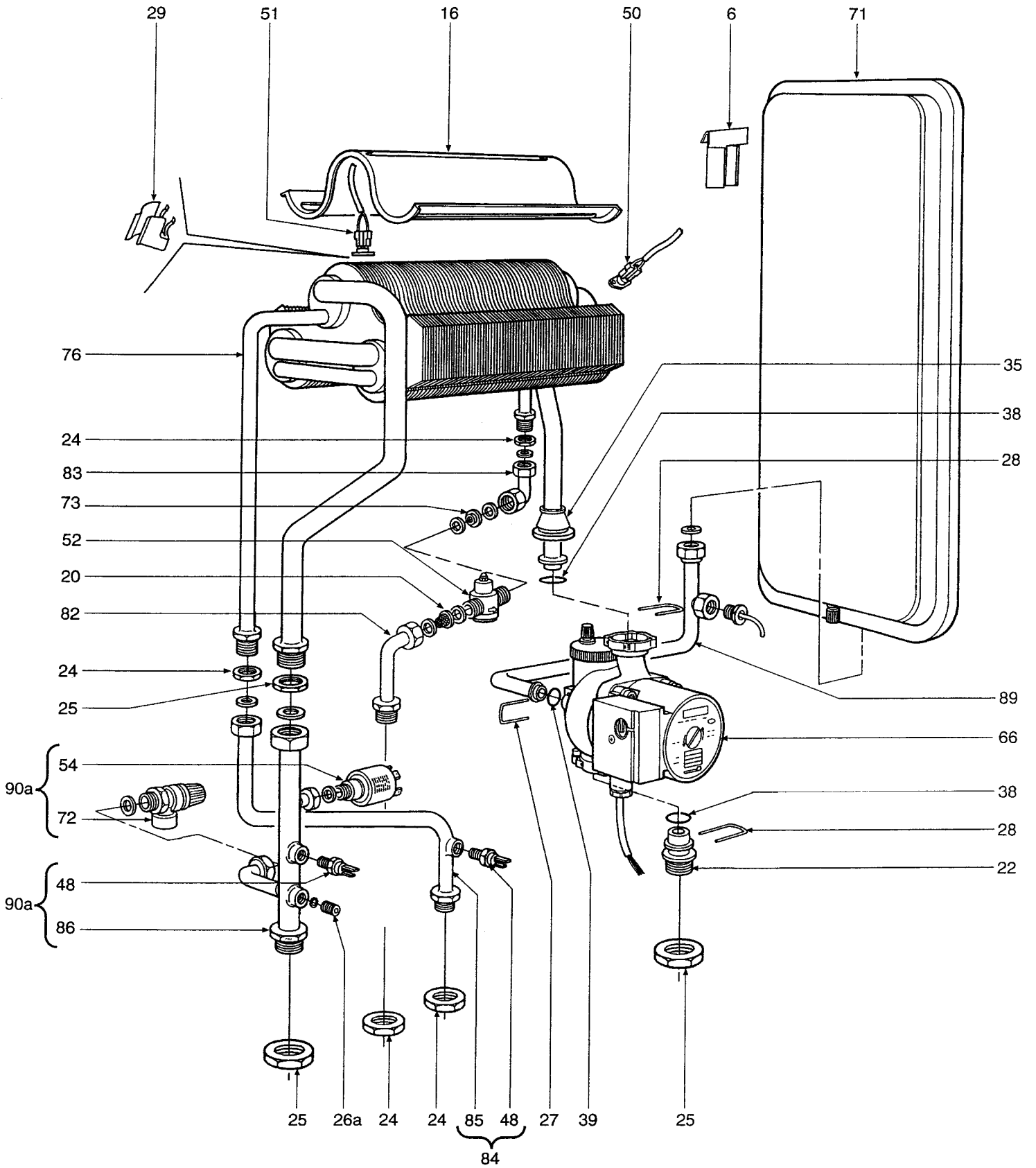
Appr. nr. B98.01 A - CE 0063 AT 4967

CODICE	EDIZIONE	MERCATO	VISTO
30R0264/0	09- 98	GB	









<b>FERROLI</b>	<b>MODENA 80 E</b>	<b>DATE;1.4.99</b>
----------------	--------------------	--------------------

KEY	G.C.No;	Description	ITALIAN Code No;	ENGLISH Code No;
1	E05-920	Casing "White"	3114205/0	800880
2	E23-878	Front wall Frame	3121000/0	806000
3	E05-926	Boiler Bottom Frame	3121001/1	806001
4	E05-927	Control Box Support Bracket	3121002/0	806002
5	-	Gas Valve Support Bracket	3121011/0	-
7	-	Combustion Chamber	3200224/0	-
8	-	Flue Gas Fixing Pipe	3211703/0	-
9	-	Fan Holder Plate	3211733/0	-
10	-	Union Between Fan And Cover Modena/Falcon	3211709/0	-
11	E05-930	Panel - Room sealed Cover,Complete	3211710/0	806771
12	E23-879	Room Sealed Compartment Modena/Falcon	3211711/0	806711
13	E23-884	Burner Assembly , Complete (14 Head)	3220276/0	806733
13a	E23-876	Window Glass	3220275/0	802750
14	E05-916	Air Intake Plug 100mm,Aluminium	3270044/0	817440
15	E23-885	Diaphragm,Flue Restrictor 45'dia	3270060/0	807600
15	E23-886	Diaphragm,Flue Restrictor 47'Dia	3270061/0	807610
15	E23-888	Diaphragm,Flue Restrictor 50'Dia	3270062/0	807620
16	E05-932	Flue Gases Baffle	3291302/0	806302
19	-	Pin For Slot-Type Coupling,M5	3400088/0	-
20	372-147	Flanged Cone Filter For 1/2" Fitting	3400808/0	800240
21	E05-954	Injector 0.70 LPG (14 Head)	3400981/1	809810
21	E05-951	Injector 1.10 (NG) (14 Head)	3400952/1	809800
22	E05-955	Pump Coupling	3401141/0	806808
23	E23-826	Gas Valve Flange	3401146/0	806146
24	372-192	Ring Nut 1/2"	3401151/0	817880
25	372-193	Ring Nut 3/4"	3401152/0	817480
26	-	Pressure test Point , "Venturi"	3510132/0	See 67
27	E23-827	Plug For Ext.diam. Pipe	3430037/0	800361
28	E23-828	Plug For Ext.Diam.Pipe	3430038/0	800362
29	E23-829	Spring - Thermostat Fixing Spring	3430039/2	806039
29a	-	Spring	3430042/0	See77
29b	E23-972	Plug-Test Point,12mm Silicone	3500615/0	800400
30	E23-830	Potentiometer Knob	3500721/0	806721
31	E23-831	Selector switch Knob	3500722/0	806722
32	E23-832	Plug , ABS	3500723/0	806723
33	E23-833	Drop - Down Panel	3500729/0	800729
33a	-	Plug for LED's	3500740/0	See32
33b	E06-478	Blanking Dics - Clock Blanking Disc	3500742/0	800444
34	E06-482	Gasket With Guide , 27.5	3510059/0	806059
35	E23-834	Conical Cone Insert Gasket	3510097/0	806197
36	-	Gasket for 80mm Dia Tube	3510098/0	-
37	-	Gasket for 80mm Dia Tube (Air Intake)	3510100/0	-
38	E23-835	O-ring 17x4.5	3510112/0	802111
39	E23-836	O-ring 13x3	3510113/0	802114
41	372-378	Pressure Test Point "Air"	3510115/0	810240

<b>FERROLI</b>	<b>MODENA 80 E</b>	<b>DATE;1.4.99</b>
----------------	--------------------	--------------------

KEY	G.C.No;	Description	ITALIAN Code No;	ENGLISH Code No;
42	E23-838	Gasket Between Gas Header & Room sealed Compart	3510129/0	806129
42a	-	Pressure Test Point , "Flue Gases"	3510143/0	See 79
43	-	Gasket For 56mm Dia,Tube	3510145/0	-
44	297-028	Glass Piece for Inspection Windows	3531525/0	815250
45	-	Combustion Chamber Side Insulation	3532059/0	See 77
46	-	Combustion Chamber Rear Insulation	3532060/0	See 77
47	-	Combustion Chamber Panel Insulation	3532061/0	See 77
48	E23-839	Sensor - DHW & Central Heating	3620050/0	800320
49	E23-840	Air Pressue Switch	3640006/0	800150
50	386-577	Thermostat 88 Degree,Central Heating	3640009/0	800160
51	386-815	Gold Plated Contacts 100 Thermostat Overheat	3640010/0	801240
52	E03-340	Flow Meter	3640186/0	803430
53	E03-349	Pressure Gauge	3640187/0	801870
54	E23-841	Low Water Pressure Sensor	3640193/0	803931
55	E23-842	Silicone ,Transparent Tube (210mm x 4mm)	3650495/0	806495
56	E23-843	Silicone ,Red Tube (210 x 4mm)	3650521/0	806521
57	-	Conical Grommet For 16mm Hole	3650538/0	-
58	-	Earthing rivet	3650572/0	-
59	E23-844	Pipe ,int.diam.(230mm x 4mm)	3650622/0	806622
60	-	Snap in Grommet	3650631/0	-
61	E23-916	Facia Panel,Domina/Modena	3650646/0	806646
62	E23-845	Cover - PCB Protecting Cover,Domina/Modena	3650633/0	806633
63	E23-846	Cover - Electrical Cover,Domina/Modena	3650634/0	806634
64	-	Cable Grip	3650651/0	-
65	E23-847	PCB - Ignition PCB "Honeywell" S4562C 1069	3650637/0	802580
66	386-814	Pump , Grunfos 15-50 9K(head replacement Only)	3660120/0	800600
66	E23-849	Pump c/w "Black Plastic"	-	800114
67	E23-851	Fan Assembly (44 Watt)	3844957/0	800480
68	E23-852	Electrode,Spark	3670246/0	801520
68a	E23-854	Lead,Spark Lead	-	806130
69	E23-855	Electrode,Flame Sensing	3670247/0	801438
69a	E23-856	Lead,Flame Sensing Lead	-	801439
70	E23-857	Gas Valve ,"TIME",T9300A400	3680261/0	800545
71	E11-770	Expansion Vessel , 7ltr	3680264/0	800108
72	386-816	Saftey Valve 1/2" 3Bar	3690066/0	800130
73	379-987	Flow Limiter 7 ltr	3690127/0	801250
74	-	Cock,3/8"with nonreturn Valve	3690147/0	-
75	E23-858	Complete Combustion Chamber	3740271/0	806271
76	E23-919	Heat Exchanger (Short Leg)	3740272/0	802180
77	E23-859	Combustion Chamber Panel,Complete	3740273/0	806273
78	-	Complete Room sealed Compartment	3751512/0	-
79	E23-860	Smoke Box , Complete	3751514/0	806528
80	-	Wiring , Complete Set	3831873/0	-
81	E23-861	PCB - MF01 "Honeywell" W4115B 1523	3831852/0	803480
82	E23-894	Pipe - Inlet Pipe	3840719/0	806719
83	E23-895	Pipe - Out of Cold Water Flow Switch	3840720/0	806720

