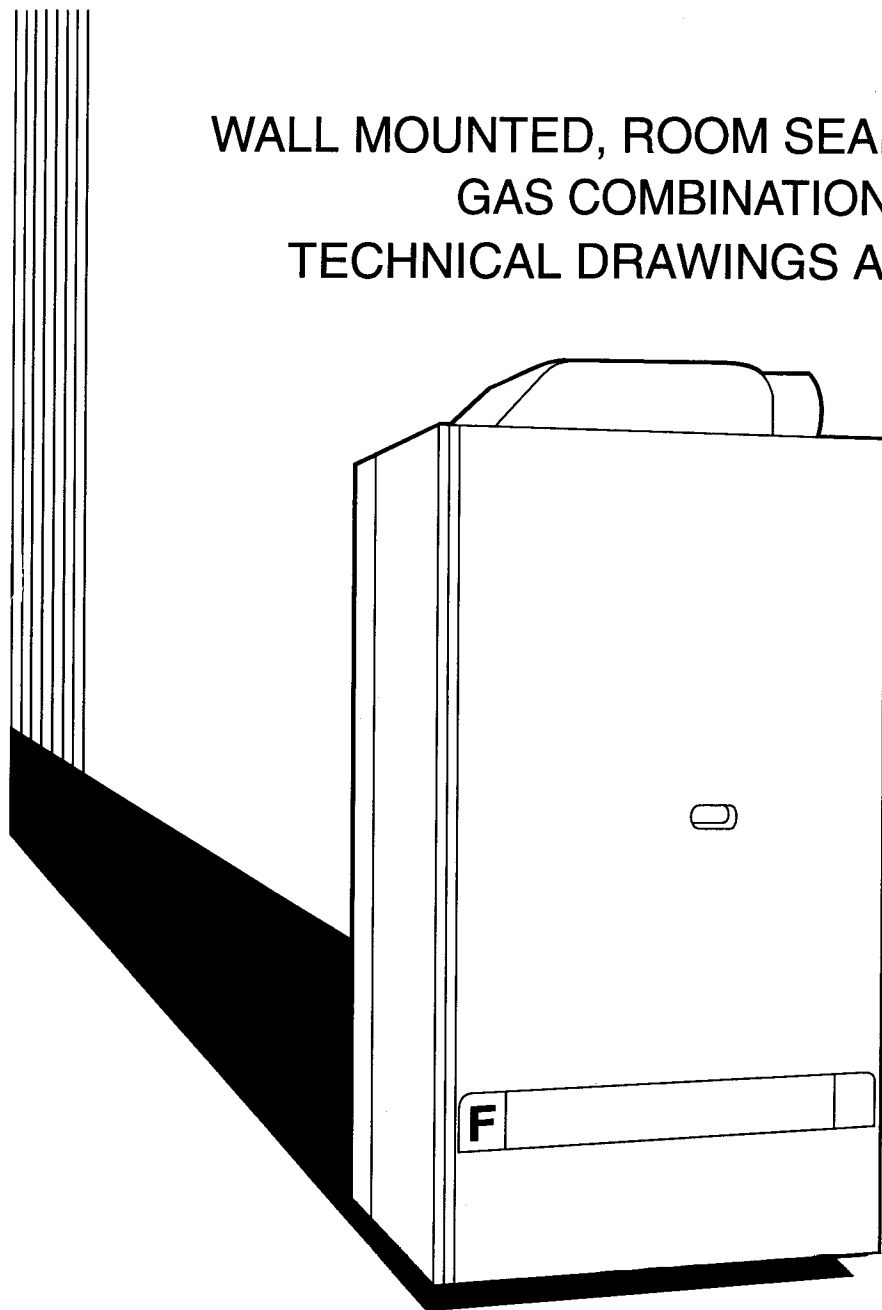




# FERROLI COMBI 77 FF

WALL MOUNTED, ROOM SEALED, FAN ASSISTED  
GAS COMBINATION BOILER  
TECHNICAL DRAWINGS AND PARTS LIST

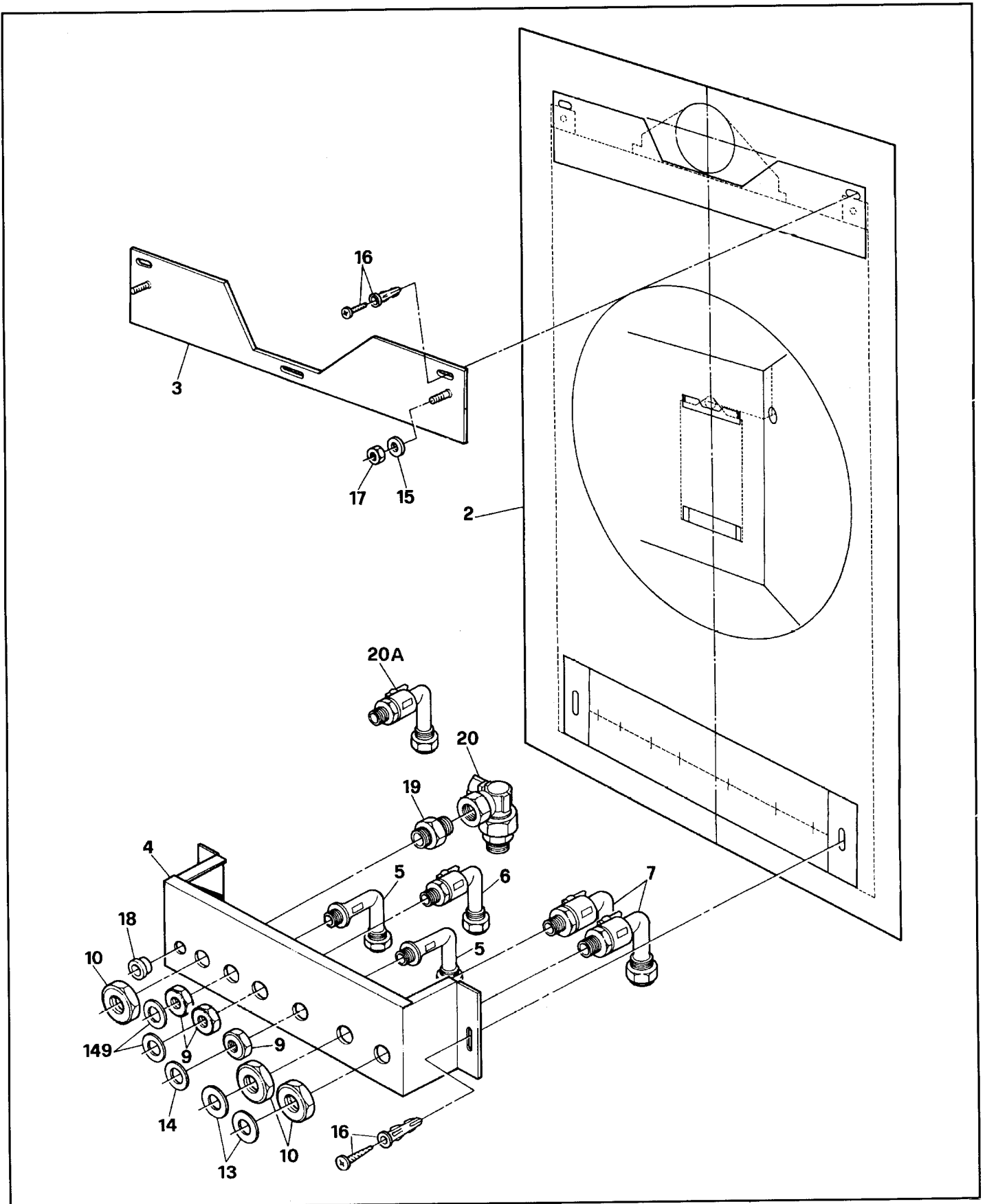


This appliance has been Tested  
and Certified by British Gas plc  
G.C. Appliance No 47-267-04  
WRC. No. 8902029



ALL SPECIFICATIONS SUBJECT TO CHANGE

# JIG BRACKET AND COCKS

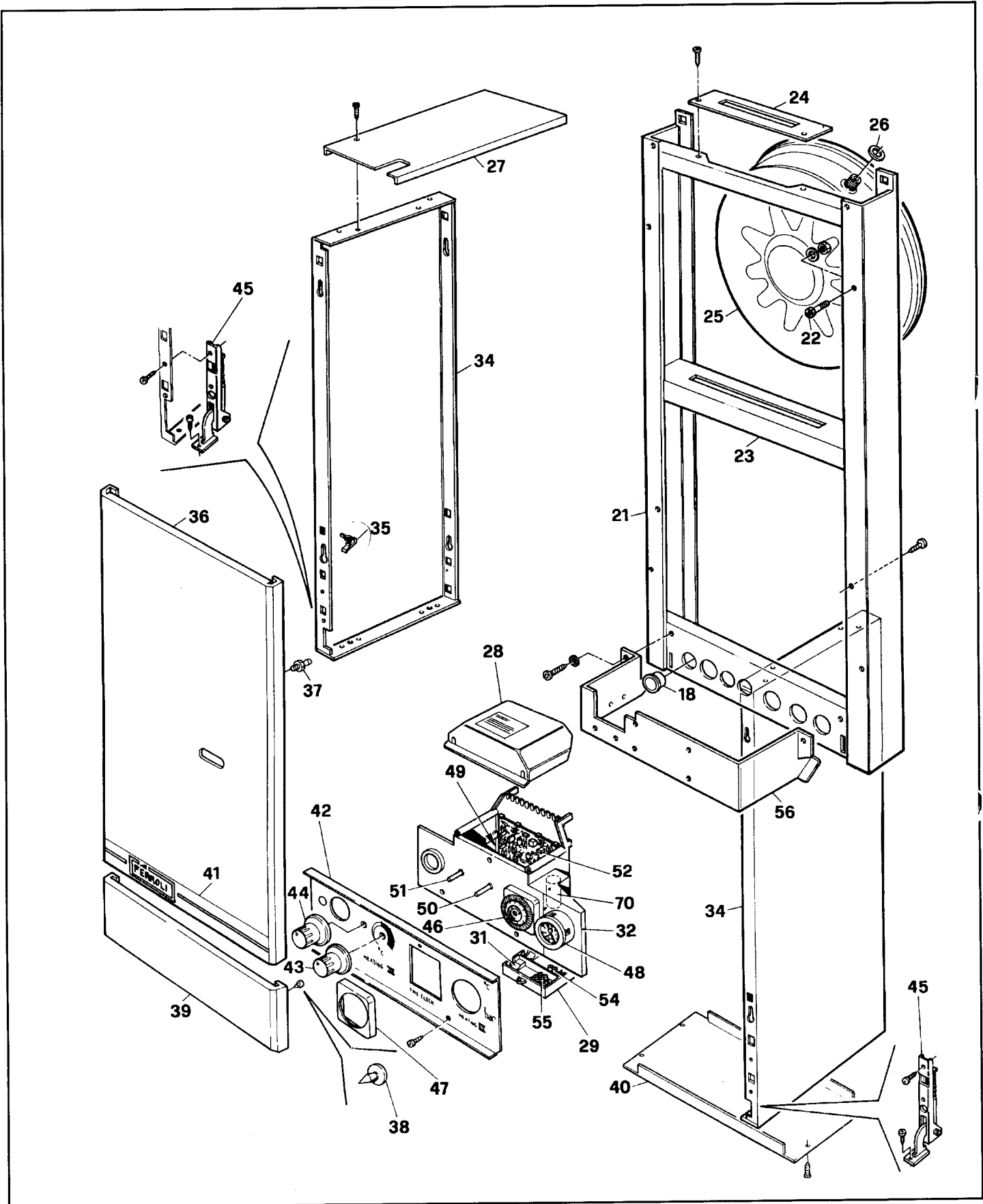


## JIG BRACKET AND COCKS

### Key G.C. No. Description

2	373 295	Template	817 600
3	372 185	Support plate (top jig bracket)	813 530
4	372 187	Pipe fitting support (bottom jig support)	816 430
5	372 296	Elbow - ½" (on bottom jig bracket)	811 310
6	372 297	Cock - Comisa FE - 15mm	811 290
7	372 298	Cock - Comisa - 22mm	811 300
9	372 192	Nut - ½" (on bottom jig bracket)	817 880
10	372 193	Nut - ¾" (on bottom jig bracket)	817 430
13	372 196	Gasket - 24mm diameter	810 710
14	372 149	Connection gasket - ½"	810 850
15	372 197	Plain washer - 24mm diameter	814 720
16	372 198	Wall screw kit	816 980
17	372 199	Nut - M8 (for fixing boiler to top jig)	812 000
18	408 780	Short insulation bushing - black nylon - Heyco 2850 - UL/CSA description B-875-750 - inside diameter 19mm - mounting hole diameter 22.2mm	814 860
19	372 328	Reducing nipple - ¾" to ½"	810 020
20	397 814	Gas cock - Siral 1256 - ½" *	812 230
149	372 325	Gasket - 18.5mm diameter	810 850
*		<b>On later models this was replaced with 22mm valve</b>	
20A	372 373	Gas cock Comisa 22mm and item 19 discontinued	811 295

# CASING ASSEMBLY AND CONTROL BOX

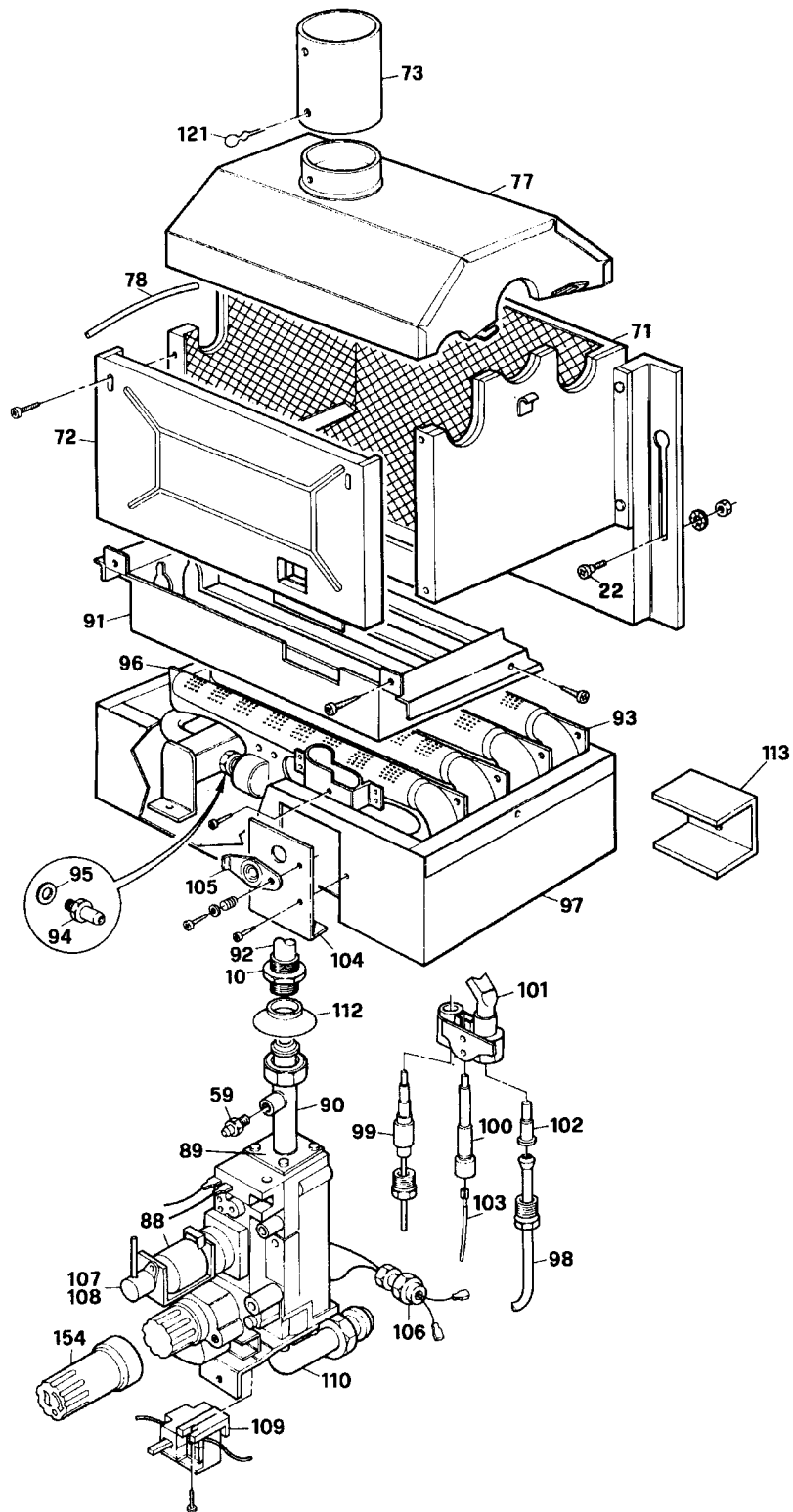


## CASING ASSEMBLY AND CONTROL BOX

### Key G.C. No. Description

18	408 780	Short insulation bushing - black nylon Heyco 2850 - UL/CSA description B-875-750 - inside diameter 19mm - mounting hole diameter 22.2mm	814 860
21	372 202	Boiler frame	813 460
22	372 203	Support pin	818 470
23	372 204	Expansion vessel bracket	811 620
24	372 205	Expansion vessel bracket	816 460
25	386 821	Expansion vessel - Zilmet type 387 - 7 litres	811 770
26	372 142	Expansion vessel gasket	810 690
27	372 300	Protecting cover	818 850
28	372 301	Electric box cover	818 840
29	372 302	Connector blocks plate	817 530
31	372 329	Wire clamping - Carpaneto 3079	814 850
32	372 304	Electric box	812 820
33	372 211	Bush - around gas ignition/off knob	811 830
34	372 212	Jacket side - right - left	800 350
35	372 169	Fastening spring - for case fixings	810 210
36	372 213	Front panel - upper	800 860
37	372 168	Front panel pin	810 640
38	372 214	Flap door pin	818 620
39	372 215	Flap door - bottom	800 410
40	372 305	Bottom panel	812 910
41	372 217	Boiler front logo	811 960
42	372 218	Instrument panel	813 150
43	372 219	Thermostat knob - central heating	811 940
44	372 220	Selector knob - central heating	811 800
45	372 221	Hinge - for control panel and flap	810 440
46	397 811	Timer clock - Deihl 8822-009/03702 7 day *	800 510
47	372 222	Box for time clock	814 520
48	386 580	Thermohidrometer - Gruter 943 Temperature / Pressure Gauge	800 300
49	372 309	Transformer - cast 697252/78 ignition	801 150
50	372 224	Thermostat - Piher T21 x A 10KA central heating	801 260
51	372 225	Selector switch - Gottak 46 RCTK	801 230
52	372 306	Main printed circuit board - Ferroli VMF 6 **	802 540
54	372 228	Connector block - Elettrogibi - 160 ST	814 460
55	372 160	Connector block - Korner OK.432/3	813 870
56	372 307	Electric box support	817 500
70	386 823	Condensor - Comar RS 470 K - Mk 1.5 MF 450v	800 250
*		Time clock 24hr model	812 800
**		<b>This replaces previous VMF4 and VMF5 additional instructions are available by contacting Ferroli Helpline</b>	

# GAS TRAIN AND COMBUSTION CHAMBER

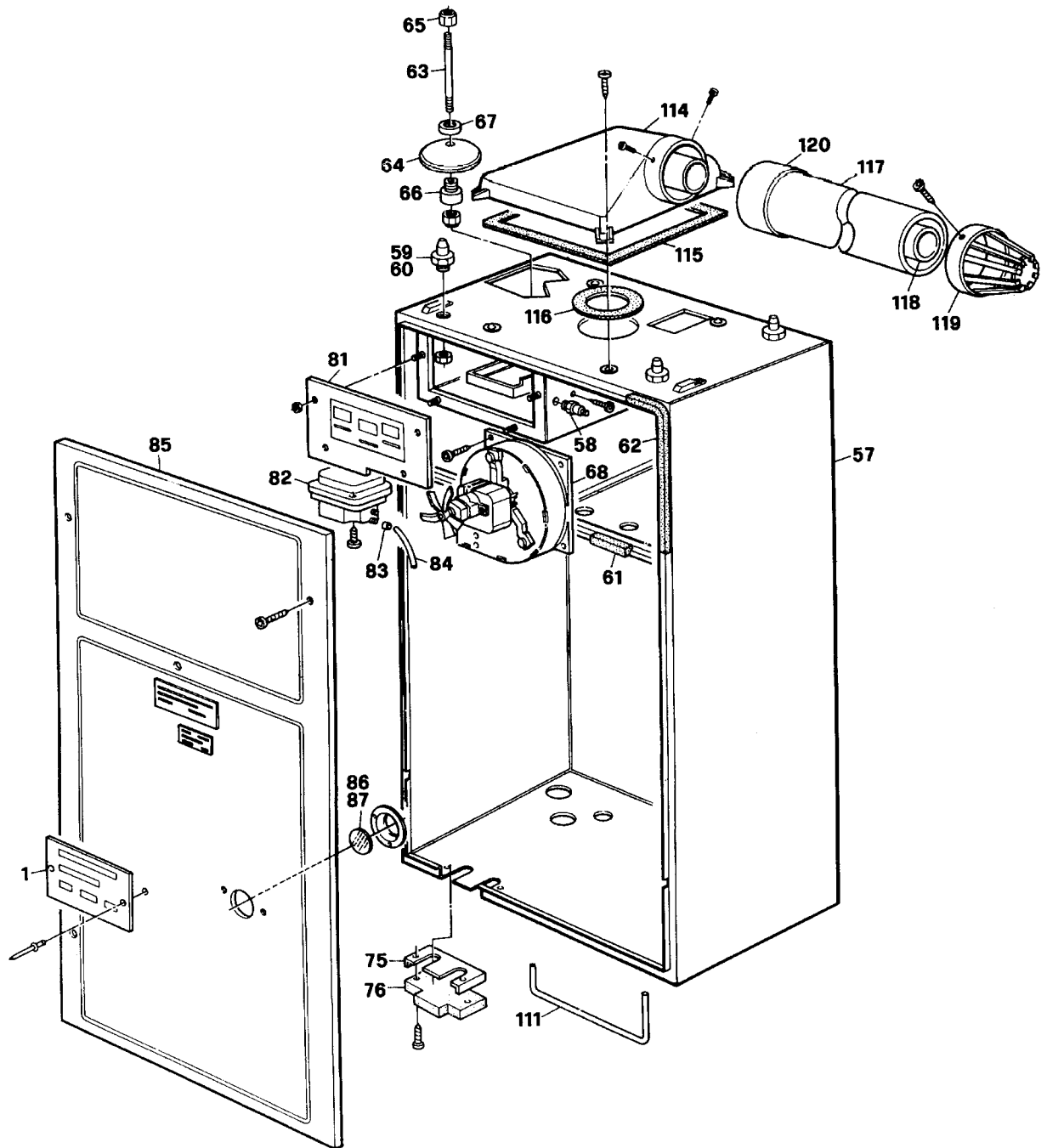


## GAS TRAIN AND COMBUSTION CHAMBER

### Key G.C. No. Description

10	372 193	Nut - ¾" on bottom jig bracket	817 430
59	372 232	Test points on boiler	810 280
71	372 311	Combustion chamber complete - upper	811 870
71A	372 124	Insulation - side	815 280
71B	372 125	Insulation - back	814 030
72	372 134	Combustion chamber cover	810 910
72A	372 135	Insulation - combustion chamber cover	815 300
73	372 244	Collar - flue pipe to exchanger hood	812 860
77	372 248	Smoke chamber hood	811 530
78	372 170	Smoke chamber fastening spring	813 030
88	372 544	Gas valve ½" - Honeywell V8600N 2031 *	800 540
89	372 174	Gas valve gasket	810 340
90	372 313	Pipe - Gas valve to burner	810 090
91	372 258	Burner frame	818 050
92	372 314	Gas manifold complete	810 930
93	372 171	Burner	817 090
94	372 176	Injector - 2.10	815 850
95	372 259	Gasket - injector - 15mm diameter	810 480
96	372 172	Burner - complete with pilot support	817 900
97	372 129	Combustion chamber - bottom	810 880
98	372 315	Pilot burner pipe - 6 x 1 diameter	813 230
99	390 210	Thermocouple - Honeywell Q309A 3273	801 170
100	386 575	Electrode - Honeywell 45900-413-004	800 280
101	386 586	Pilot burner - Honeywell Q385A-1004B	800 270
102	386 573	Pilot burner - Injector - Honeywell 45003-3508-004	810 570
103	372 175	Electrode wire	801 190
104	372 131	Flap - cover plate for pilot	813 690
105	372 132	Spy hole flap for pilot	811 710
106	372 262	Complete Eco split wire	801 140
107	372 263	Modulating balance tube	816 920
108	372 264	Gasket - 'O' ring 112	810 520
109	372 320	Microswitch complete	801 370
110	372 316	Inlet gas pipe to gas valve	810 960
112	372 318	Cap gasket - plastic shroud	810 650
113	372 319	Combustion chamber support	817 480
121	372 322	Spring	810 290
154	372 290	Extension knob - gas valve	811 840
*		<b>Also available -</b>	
		Solenoid Honeywell V804A	818 220
		Modureg Honeywell V7335A	818 290

# ROOM SEALED COMPARTMENT



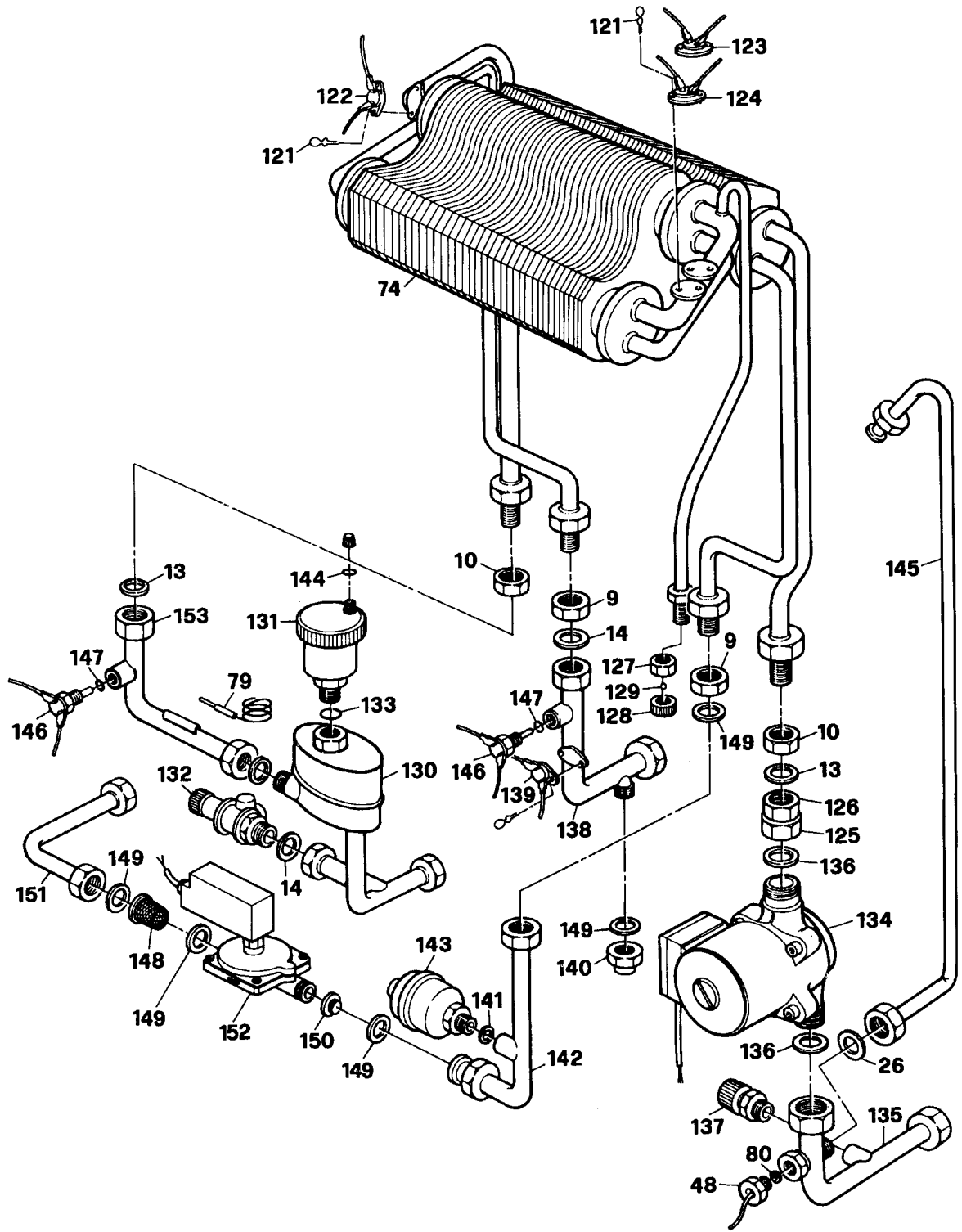


## ROOM SEALED COMPARTMENT

### Key G.C. No. Description

1	372 294	Data badge	814 590
57	372 308	Room sealed compartment	811 450
58	372 231	Connecting piece for pressure switch	818 540
59	372 232	Test points on boiler	810 280
60	372 233	Nut - for test point	818 430
61	372 234	Packing - Maxgomma - type POR 303	800 530
62	372 235	Packing - Maxgomma - type POR 303	800 530
63	372 238	Damper Assembly	<b>814360</b>
64	-	Damper - for air by-pass damper	<b>SEE 63</b>
65	-	Nut - M4 - autolocking	<b>SEE 63</b>
66	-	Bush - for damper	<b>SEE 63</b>
67	-	Nut - for damper	<b>SEE 63</b>
68	372 241	Fan assembly complete with support plate *	800 440
75	372 246	Plate - for pilot gas tube and thermocouple	817 270
76	372 247	Packing for pilot gas tube and thermocouple	811 750
81	372 251	Support plate	816 420
82	378 167	Pressure switch - huba 602.99.146	812 620
83	372 252	Pressure switch injector - 0.65 diameter	818 770
84	372 253	Silicone pipe - 4mm inside diameter x 7mm external diameter	813 390
85	372 254	Room sealed cover - complete	810 900
86	372 255	Spy glass - for pilot view	815 240
87	372 256	Flange - spy glass	810 430
111	372 317	Cleaning rod	818 780
114	372 269	Flue - air intake hood	811 210
115	372 270	Gasket - for flue-air hood	810 550
116	372 271	Gasket - for flue-air hood	810 560
117A	372 272	Outer air intake duct - 100 x 960mm long 700mm	810 013
117B	372 273	Outer air intake duct - 100 x 2000mm long 1950mm	810 014
117C	372 274	Outer air intake duct - 100 x 3000mm long 2950mm	810 015
118A	372 275	Inner flue duct - 60 x 1000mm long 750mm	810 010
118B	372 276	Inner flue duct - 60 x 2000mm long	810 011
118C	372 277	Inner flue duct - 60 x 3000mm long	810 012
119	372 278	Flue terminal - outside	800 570
120	372 321	Sealing sleeve air duct to flue hood	810 620
*	372 241	Earlier models <b>included</b> condenser on fan assembly	800 440
*	372 310	Later models <b>do not include</b> condenser or condenser support bracket	802 180

# HEAT EXCHANGER FOR CH AND DHW AND PIPES

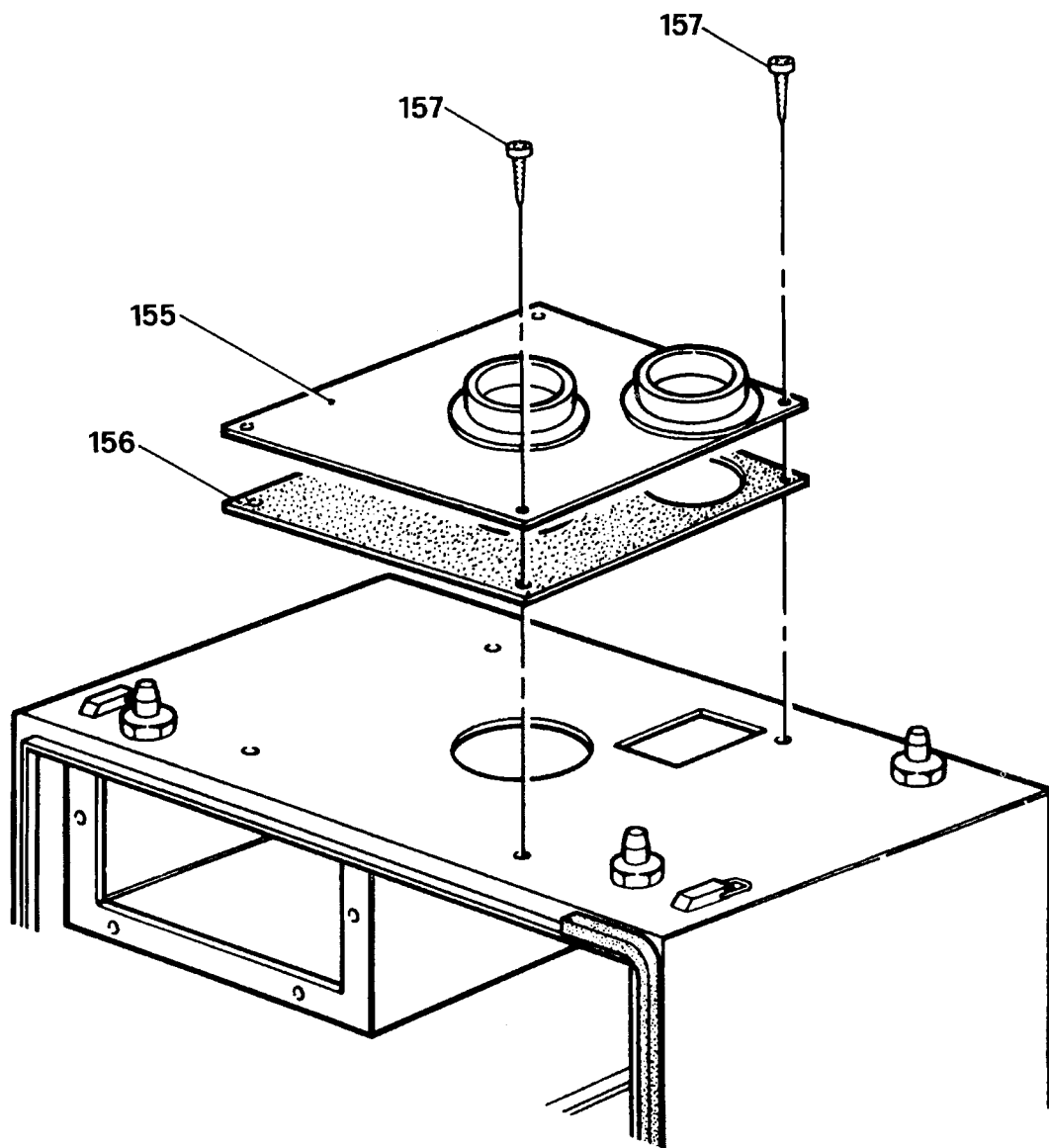


## HEAT EXCHANGER FOR CH AND DHW AND PIPES

### Key G.C. No. Description

9	372 192	Nut - ½" - on bottom jig bracket	817 880
10	372 193	Nut - ¾" - on bottom jig bracket	817 430
13	372 196	Gasket - 24mm diameter	810 710
14	372 149	Connection gasket - ½"	810 850
26	372 142	Expansion vessel gasket	810 690
48	386 580	Thermohidrometer - Gruter 943	800 300
74	372 245	Heat exchanger	802 170
79	372 249	Spring strip - to hold phial in pocket	811 350
80	372 250	Gasket - 11mm diameter	810 380
121	372 322	Spring - for thermostat fixing	810 290
122	386 815	Overheat cut-off thermostat - Elmwood 2455RT 147B 203S - 100°C	801 240
123	386 828	Frost thermostat - Elmwood L14C98/703-398	800 180
124	386 577	Limit thermostat 85° - Elmwood 2455T-147B-2035-85R central heating	800 160
125	372 281	Pump connection nut - 1½"	818 800
126	372 282	Pump connection	818 530
127	372 283	Nut - M6 - for heat exchanger vent pipe	811 070
128	372 151	Cap - for heat exchanger vent pipe	818 550
129	372 150	Vent pipe sphere	818 560
130	372 291	Air vent separator	816 610
131	394 246	Automatic air vent - Caleffi 502N/A - 3/8" with 'O' ring	801 160
132	386 816	Safety valve - Caleffi 514 central heating	800 130
133	372 180	Gasket - 'O' ring	810 500
134	386 814	Pump - Grundfos UPS 15-50 x 18 9K	800 600
135	372 140	Return pipe central heating	819 060
136	372 153	Pump gasket - 45mm diameter	810 160
137	386 817	Drain pump - Caleffi 505 TG *	812 210
138	372 323	Outlet pipe - domestic hot water	811 000
139	386 576	Limit thermostat 70°C - Elmwood 2455RT 147B 2035 domestic hot water	801 000
140	372 146	Screw cap - ½" - female	817 320
141	372 324	Expansion vessel gasket - DHW	810 870
142	372 285	Pipe - out of cold flow switch valve	819 140
143	386 714	Expansion vessel - Zilmet type Z160 - ½" domestic hot water	800 580
144	372 177	Gasket 'O' ring - 2037 - on autovent cap	810 530
145	372 286	Expansion vessel pipe	816 863
146	386 818	Temperature sensor - Philips KTY 81-110	800 310
147	372 177	Gasket 'O' ring 2037 temperature sensor	810 530
148	372 147	Inlet filter	800 240
149	372 325	Gasket - 18.5mm diameter	810 850
150	386 829	Flow limiter - Manesshan NR05/10 GS - 10 LT/min **	801 220
151	372 288	Inlet pipe - domestic hot water	819 050
152	372 181	Flow switch ***	800 490
153	372 289	Pipe heating flow to air separator	816 550
*		<b>Later models do not incorporate drain fitting</b>	
**		<b>Also available 7 litre limiter</b>	801 250
***	379 035	<b>Later models use Caleffi ½ paddle switch</b>	800 120

# SPECIAL TWO PIPE FLUE/AIR ADAPTOR



## SPECIAL TWO PIPE FLUE/AIR ADAPTOR

### **Key G.C. No. Description**

	G.C. No.	Description	
155	372 365	Alternative two pipe flue-air adaptor	825 080
156	372 366	Gasket for flue-air adaptor	819 997
157	372 367	Screw M4 x 16	819 996