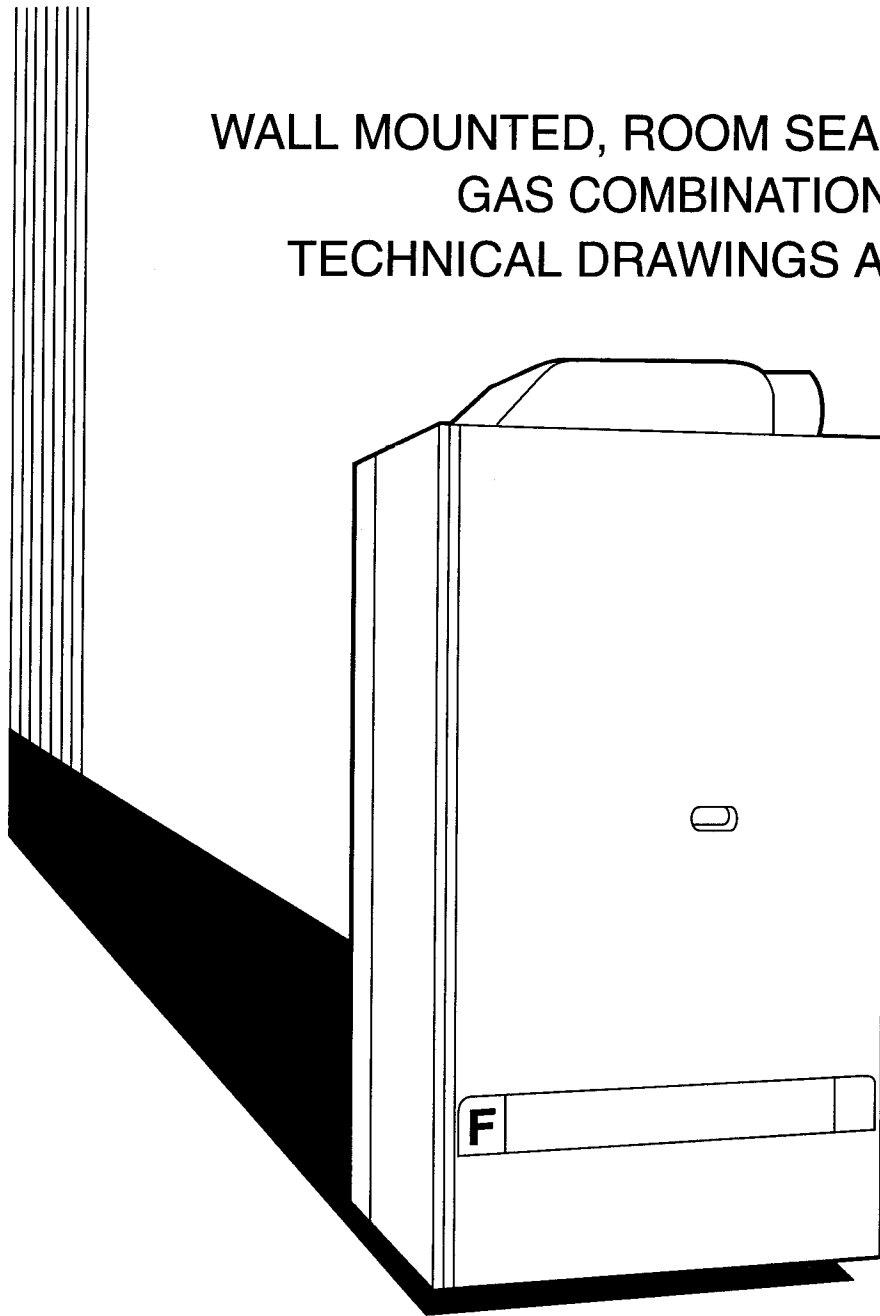




FERROLI COMBI 100 FF

WALL MOUNTED, ROOM SEALED, FAN ASSISTED
GAS COMBINATION BOILER
TECHNICAL DRAWINGS AND PARTS LIST

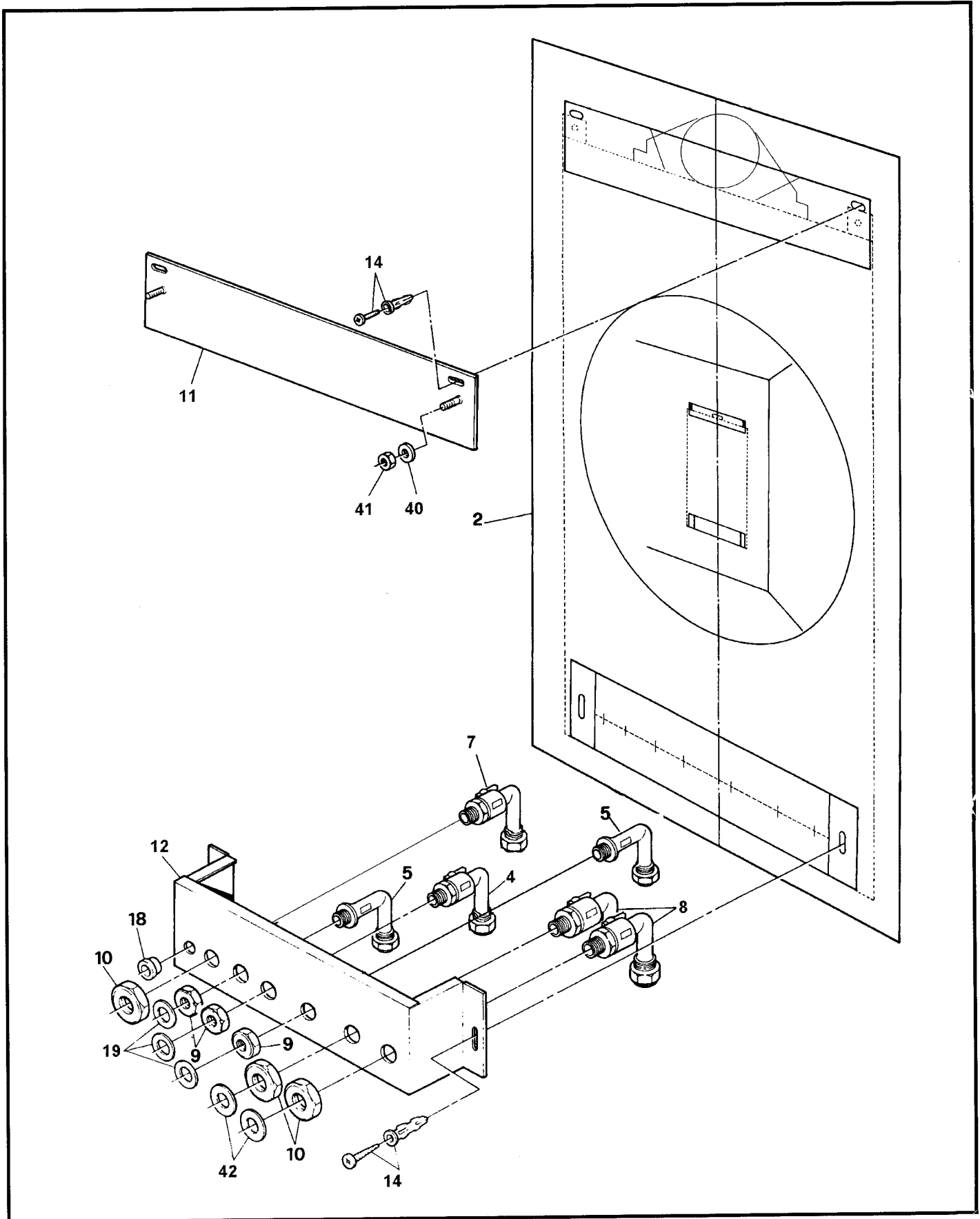


WRC. No. 9207025



ALL SPECIFICATIONS SUBJECT TO CHANGE

JIG BRACKET AND COCKS

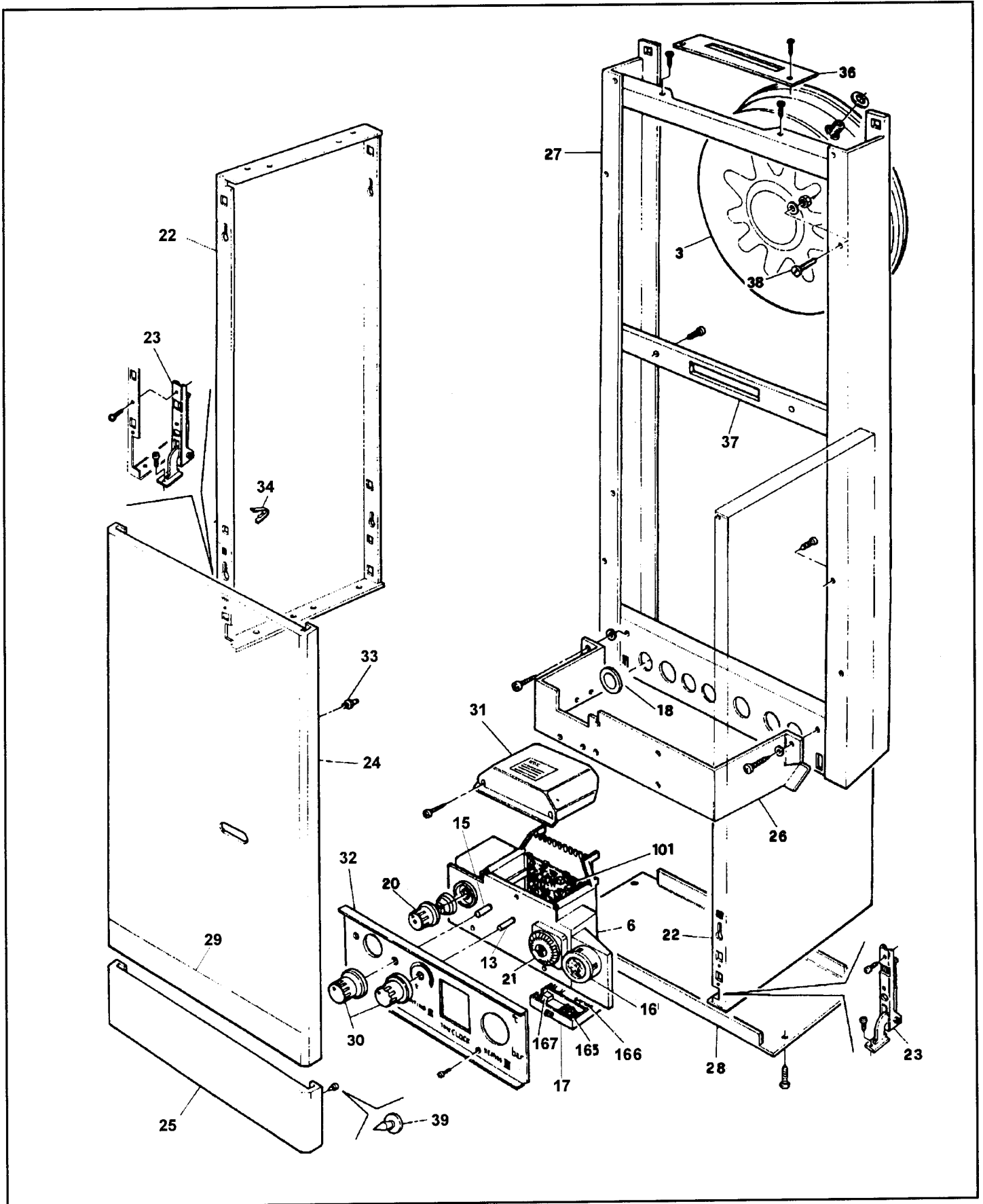


JIG BRACKET AND COCKS

Key G.C. No. Description

2	373 295	Template	817 600
4	372 296	Elbow - 15mm	811 310
5	372 297	Cock 15mm Comisa	811 290
7	372 373	Cock 22mm Comisa (gas)	811 295
8	372 298	Cock 22mm Comisa F & R	811 300
9	372 192	Nut ½"	817 880
10	372 193	Nut ¾"	817 430
11	372 185	Bracket mounting (top jig bracket)	813 530
12	372 187	Bracket - pipe fitting	816 430
14	372 198	Kit wall fixing	816 980
18	408 780	Bush	814 860
19	372 325	Gasket 18.5mm	810 850
40	372 197	Washer 24mm	814 720
41	372 199	Nut M8	812 000
42	372 196	Gasket 24mm	810 710

CASING ASSEMBLY AND CONTROL BOX

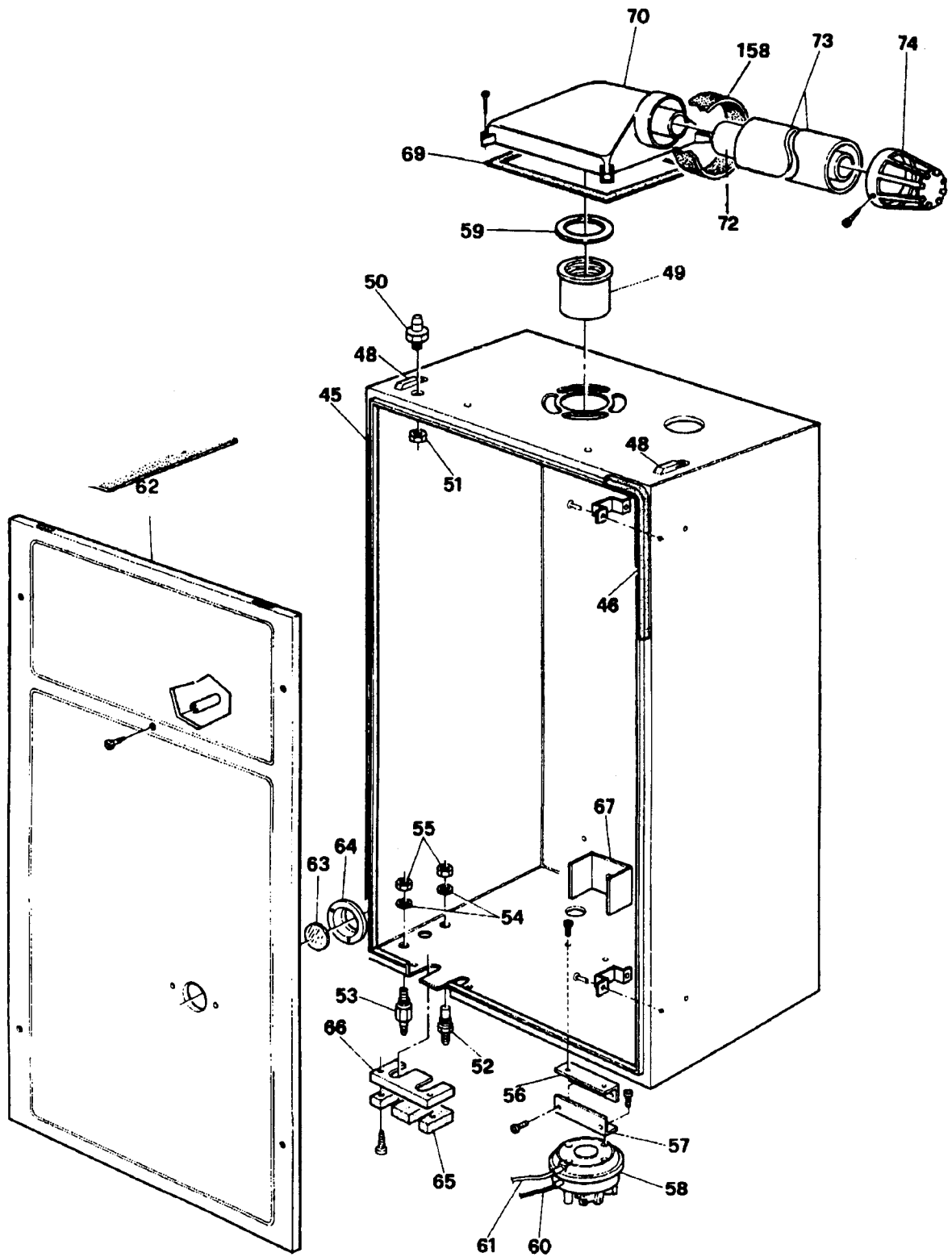


CASING ASSEMBLY AND CONTROL BOX

Key G.C. No. Description

1		Data plate	
3	386 821	Expansion vessel CH	811 770
6		Control box	
13	372 224	Thermostat - boiler	801 260
15		Selector switch 4 position	801 550
16	386 580	Gauge - Temperature/pressure	800 300
17	372 302	Plate - connector blocks	817 530
18	408 780	Bush	814 860
20		Knob - reset	
21	397 811	Clock	800 510
22	372 212	Casing - side L/R	800 350
23	372 221	Hinge	810 440
24	372 213	Panel - front upper	800 860
25	372 215	Panel - front lower	800 410
26	372 307	Support - electric box	817 500
27	372 202	Frame - boiler	813 460
28	372305	Panel - bottom	812 910
29	372 217	Boiler front logo	811 960
30	372 219	Knob - boiler thermostat/selector switch	811 940
31	372 301	Cover - electric box	818 840
32		Panel - instrument	813 760
33	372 168	Pin - front panel	810 640
34	372 169	Spring - case fixings	810 210
35		PCB - ignition	802 560
36	372 205	Bracket - upper CH expansion vessel	816 460
37	372 204	Bracket - lower	811 620
38	372 203	Pin - support	818 470
39	372 214	Pin - flap door	818 620
101	372 306	PCB - VMF 6.1	802 540
165	372 160	Connector block - Korner OK 432/3	813 870
166	372 228	Connector block - Electrogibi - 160ST	814 460
167	372 239	Wire clamping - Carpaneto 3079	814 850

ROOM SEALED COMPARTMENT

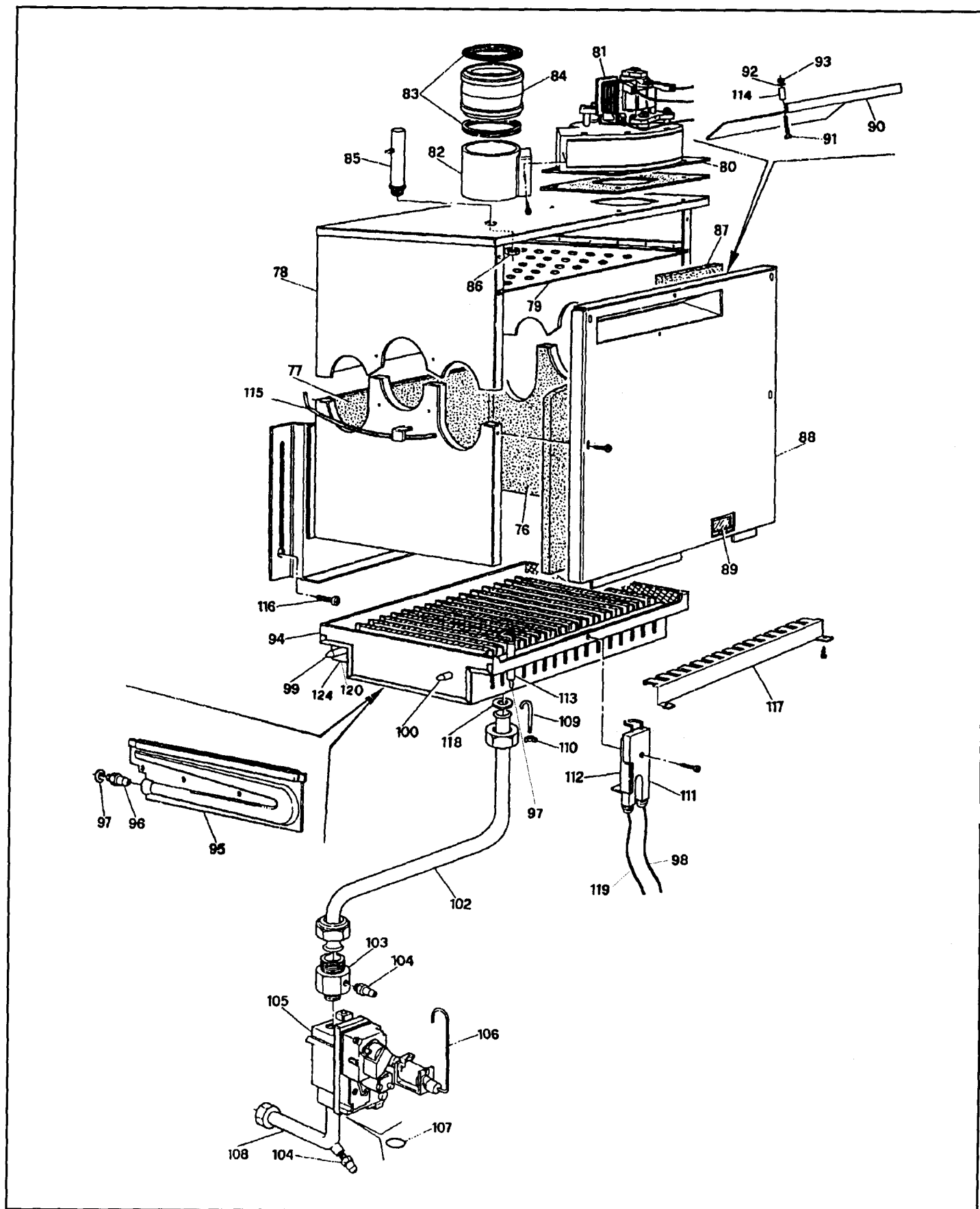


ROOM SEALED COMPARTMENT

Key G.C. No. Description

45		Room sealed compartment	
46	372 234	Seal - room sealed compartment	800 530
48		Clip - buckle	
49		Collar	
50	372 232	Test point	810 280
51	372 233	Nut - for test point	818 430
52	372 378	Test point (air pressure)	810 240
53	372 379	Test point (flue pressure)	810 250
54		Washer - pressure test point	
55		Nut - pressure test point	
56		Support - upper - pressure switch	
57		Support - lower - pressure switch	
58	379 351	Air pressure switch - HUBA 602.99.146	800 140
59	372 270	Gasket (flue/air hood)	810 550
60		Pipe silicon (red)	
61		Pipe silicon (white)	
62	372 254	Cover - room sealed compartment	810 900
63	372 255	Glass - spy	815 240
64	372 256	Flange - spy glass	810 430
65	372 247	Packing	811 750
66	372 246	Plate	817 270
67		Support - burner	
69	372 271	Seal	810 560
70	372 269	Hood (flue / air intake)	811210
72A	372 275	Inner duct exhaust	810 010
72B	372 276	Inner duct exhaust	810 011
72C	372 277	Inner duct exhaust	810 012
73A	372 272	Air intake duct	810 013
73B	372 273	Air intake duct	810 014
73C	372 274	Air intake duct	810 015
74	372 278	Terminal	800 570
158	372 321	Sealing sleeve (flue hood to flue)	810 620

GAS TRAIN AND COMBUSTION CHAMBER

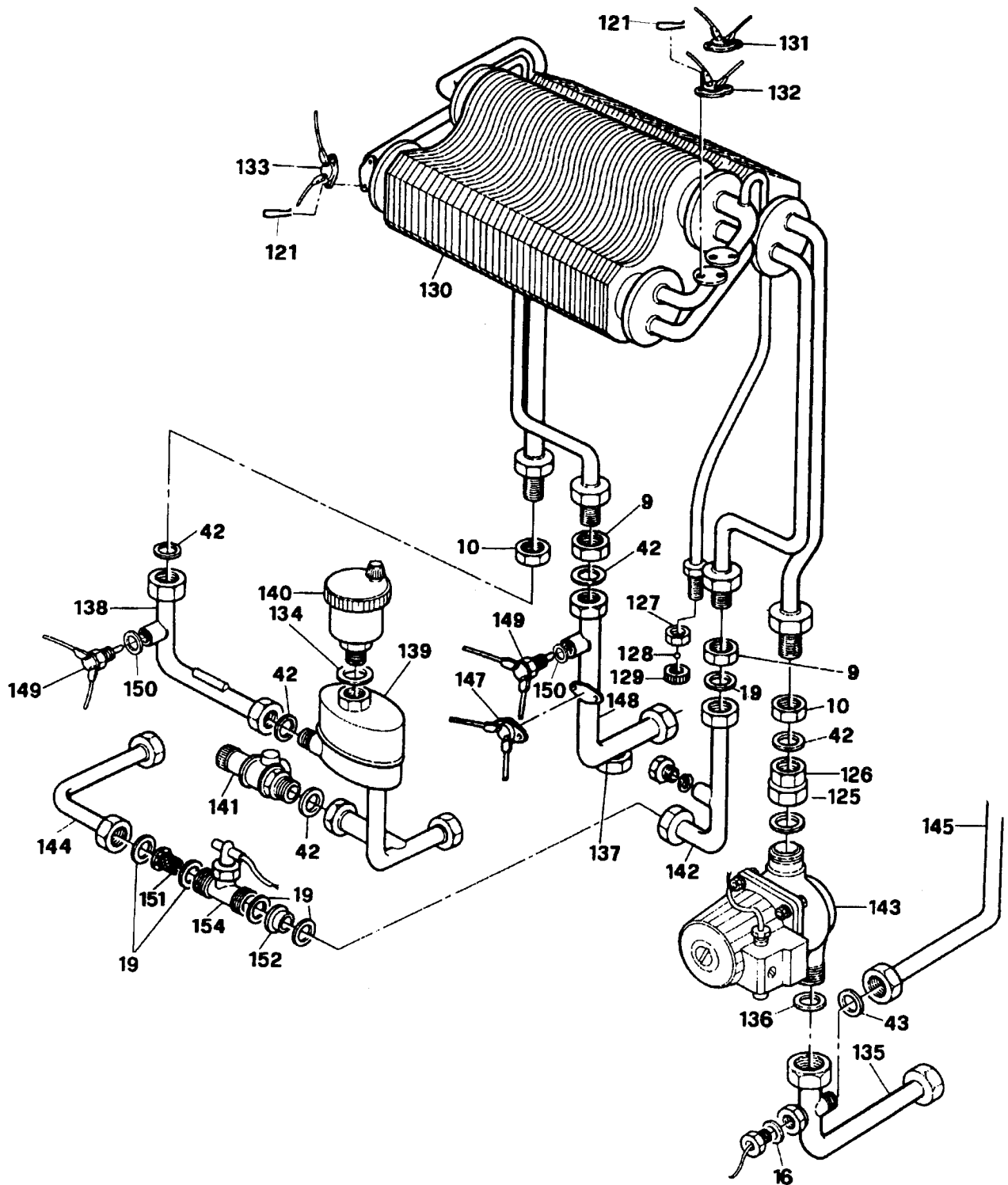


GAS TRAIN AND COMBUSTION CHAMBER

Key G.C. No. Description

75		Combustion chamber	
76		Insulation - side - combustion chamber	
77		Insulation - rear - combustion chamber	
78		Flue collector box	
79		Flue outlet deflector	
80		Fan mounting plate	
81		Fan assembly	802 430
82		Fan/flue spigot	
83		Gasket 80mm	
84		Flue turret connector	
85	297 021	Venturi	812 200
86	372 192	Nut - Venturi - ½"	817 880
87		Insulation - front - combustion chamber	
88		Cover - combustion chamber C/W damper	802 440
89		Glass - spy - combustion chamber cover	
90		Damper	
91		Screw - M2 x 12 - for damper	
92		Washer - for damper	
93		Nut - M2 - for damper	
94		Burner assembly	
95		Burner bar - Furigas	
96		Injector - Main NG	
96A		Injector - Main LPG 0.72	801 850
97		Cable - flame sensing	801 830
98		Cable - ignition electrode	801 840
99		Support - burner - rear	
100		Support - burner - front	
102		Pipe - gas valve to burner	
103		Connector - C/W test point	
104		Test point - gas	
105		Gas valve H/W VR4615N	802 500
106	372 263	Tube - modulating balance	816 920
107		Gasket	
108		pipe - inlet gas	
109		Hook - burner fixing	
110		Nut - wing for 109	
111		Electrode - ignition	801 650
112		Support - electrode	
113		Electrode - flame sensing	801 430
114		Bush - for damper	
115	386 170	Spring - hood fixing	813 030
116	372 203	Support pin	818 470
117		Frame - burner front	
118		Gasket - ½"	
119		Ignition earth lead	
120		Manifold C/W NG injectors	
120A		Manifold C/W LPG injectors 0.72	
124		Manifold - no injectors	

HEAT EXCHANGER FOR CH AND DHW AND PIPES



HEAT EXCHANGER FOR CH AND DHW AND PIPES

Key G.C. No. Description

9	372 192	Nut - ½"	817 880
10	372 193	Nut - ¾"	817 430
16	386 580	Gauge - Temperature/pressure	800 300
19	372 325	Gasket 18.5mm	810 850
42	372 196	Gasket 24mm	810 710
43	372 142	Gasket CH Expansion vessel	810 690
121	372 322	Spring - thermostat fixing	810 290
125	372 281	Nut - pump 1½"	818 800
126	372 282	Pump connection	818 530
127	372 283	Nut M6 - heat exchanger vent	811 070
128	372 150	Sphere - heat exchanger vent	818 560
129	372 151	Cap - heat exchanger vent	818 550
130	372 245	Heat exchanger	802 170
131	386 828	Thermostat - frost	800 180
132	386 577	Thermostat - CH limit	800 160
133	386815	Thermostat - overheat 100°C	801 240
134	372 180	Gasket 'O' ring 3087	810 500
135	372 140	Pipe - CH return	819 060
136	372 153	Gasket - pump 45mm	810 160
137	372 323	Outlet pipe DHW	811 000
138	372 289	Pipe - CH flow to air separator	816 550
139	372 291	Separator - auto air vent	816 611
140	394 246	Auto air vent	801 160
141	386 816	Safety valve	800 130
142	372 285	Pipe - flow switch to heat exchanger	810 140
143	386 814	Pump - Grundfos 15.50	800 600
144	372 288	Pipe - inlet to flow switch	819 050
145	372 286	pipe - expansion vessel - CH	816 863
147	386 576	Thermostat - D. HW limit 70°C	801 000
149	386 818	Sensor CH and D. HW	800 310
150	372 177	Gasket 'O' ring 2037	810 530
151	372 147	Filter	800 240
152	386 829	Limiter	801 220
154	379 035	Flow switch - Caleffi	800 120