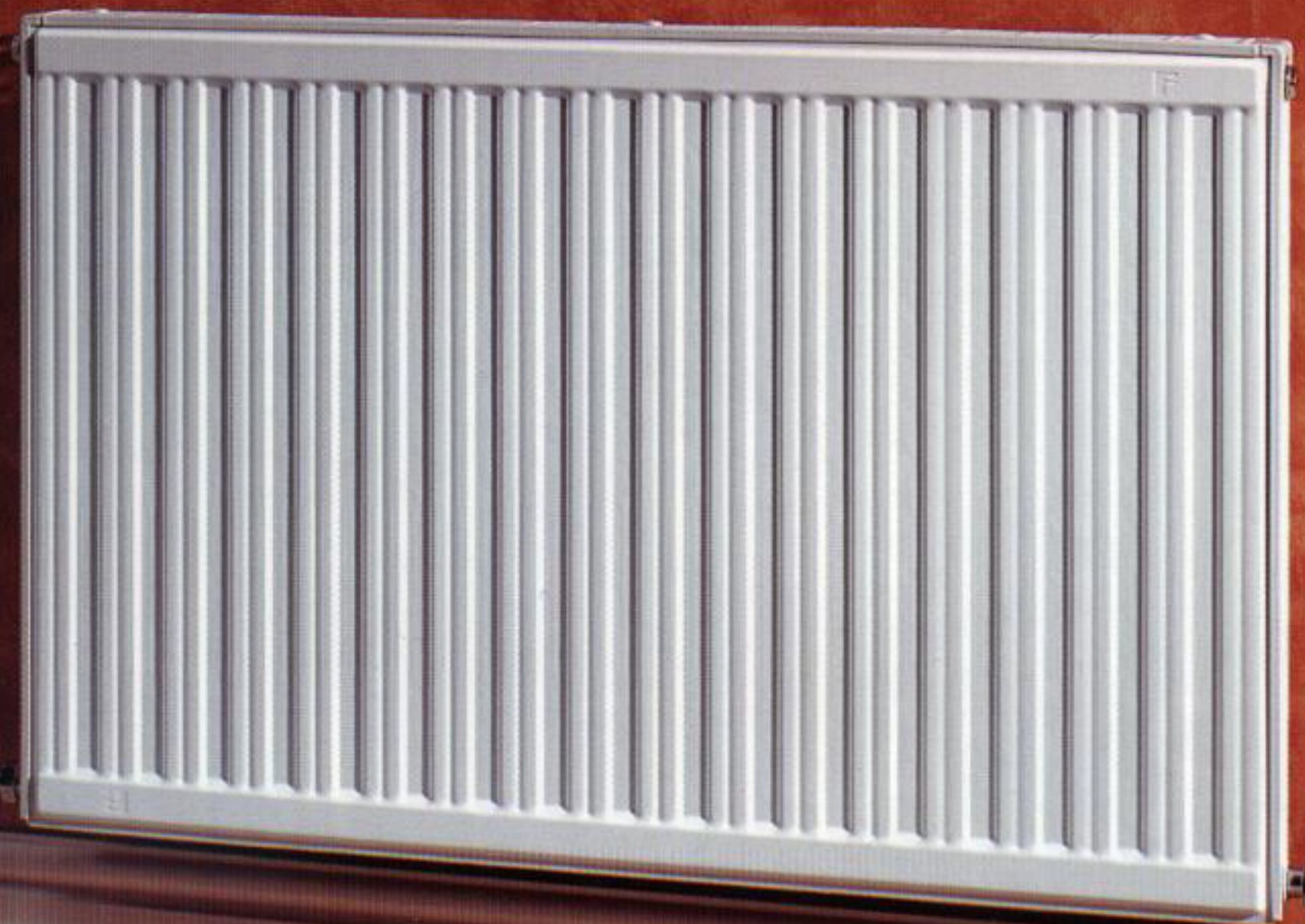


FÉRROLI RADIATORS

STYLE · QUALITY · RANGE



ADVANCED
HEATING
FOR THE
MILLENNIUM

2000

FÉRROLI



FÉRROLI

RADIATORS

IN A CLASS OF
THEIR OWN

FOR SHEER ELEGANCE, QUALITY AND CHOICE,
FÉRROLI'S COMPREHENSIVE RANGE OF
RADIATORS IS UNSURPASSED. WITH A WIDE
SELECTION OF STEEL SUPER COMPACT, CAST
IRON AND ALUMINIUM RADIATORS TO SELECT
FROM IN AN IMPRESSIVE RANGE OF SIZES AND
STYLES, FÉRROLI OFFERS THE SPECIFIER,
INSTALLER AND CONSUMER THE ULTIMATE
IN ADVANCED RADIATOR TECHNOLOGY.



SUPER COMPACT

RADIATORS

FOR ALL

ROUND

COMFORT

STYLISHLY DESIGNED TO BLEND INTO ANY HOME ENVIRONMENT, WHETHER TRADITIONAL OR MODERN, THE FÉRROLI RANGE OF SUPER COMPACT STEEL RADIATORS GIVES BOTH RADIATED AND CONVECTED HEAT FOR ALL ROUND COMFORT AND ECONOMY.

HIGHER OUTPUT

CLEVERLY DESIGNED, THESE INNOVATIVE RADIATORS FEATURE CONVECTOR FINS WELDED DIRECTLY TO EACH DOUBLE WATERWAY. THIS FEATURE BRINGS A MAJOR BENEFIT - THE HIGHEST POSSIBLE OUTPUT FROM THE SMALLEST AREA OF RADIATOR. YOU'LL FIND THAT A FÉRROLI STEEL RADIATOR WILL GIVE UP TO 10% HIGHER OUTPUT THAN OTHER RADIATORS OF A SIMILAR SIZE!

NARROW WATERWAYS AND LOW WATER CONTENT DELIVER A RAPID RESPONSE TO DEMAND FOR HEAT AND ALSO ALLOW THE MOST FLEXIBLE CONTROL OF THE HEATING SYSTEM, WHILE SIDE PANELS AND TOP GRILLES ENSURE EFFICIENT ALL ROUND HEAT EMISSION AND GOOD LOOKS.



WIDE CHOICE OF SIZES

NO OTHER MANUFACTURER GIVES YOU MORE CHOICE.

FÉRROLI STEEL RADIATORS ARE AVAILABLE IN BOTH SINGLE AND DOUBLE CONVECTORS IN HEIGHTS AND LENGTHS TO SUIT ALMOST ANY ROOM OR LIVING AREA. LENGTHS VARY FROM 450MM TO 3,000MM, AND STANDARD HEIGHT OPTIONS INCLUDE 300, 400, 500, 600, 700 AND 900MM.

A PERFECT FINISH

ALL FÉRROLI STEEL RADIATORS ARE FINISHED IN A HARD WEARING, IMPACT AND SCRATCH RESISTANT EPOXY POWDER PAINT IN NEUTRAL WHITE.

QUALITY AND RELIABILITY ASSURED

MANUFACTURED FROM THE FINEST 1.25MM THICK STEEL TO THE HIGHEST QUALITY STANDARDS, INCLUDING ISO 9001, ALL FÉRROLI STEEL RADIATORS ARE TESTED TO 8 BAR (116 PSI) AND GUARANTEED FOR 5 YEARS. THEIR SMOOTH DESIGN ELIMINATES SHARP EDGES, FOR ABSOLUTE SAFETY IN THE HOME.

EASY ASSEMBLY

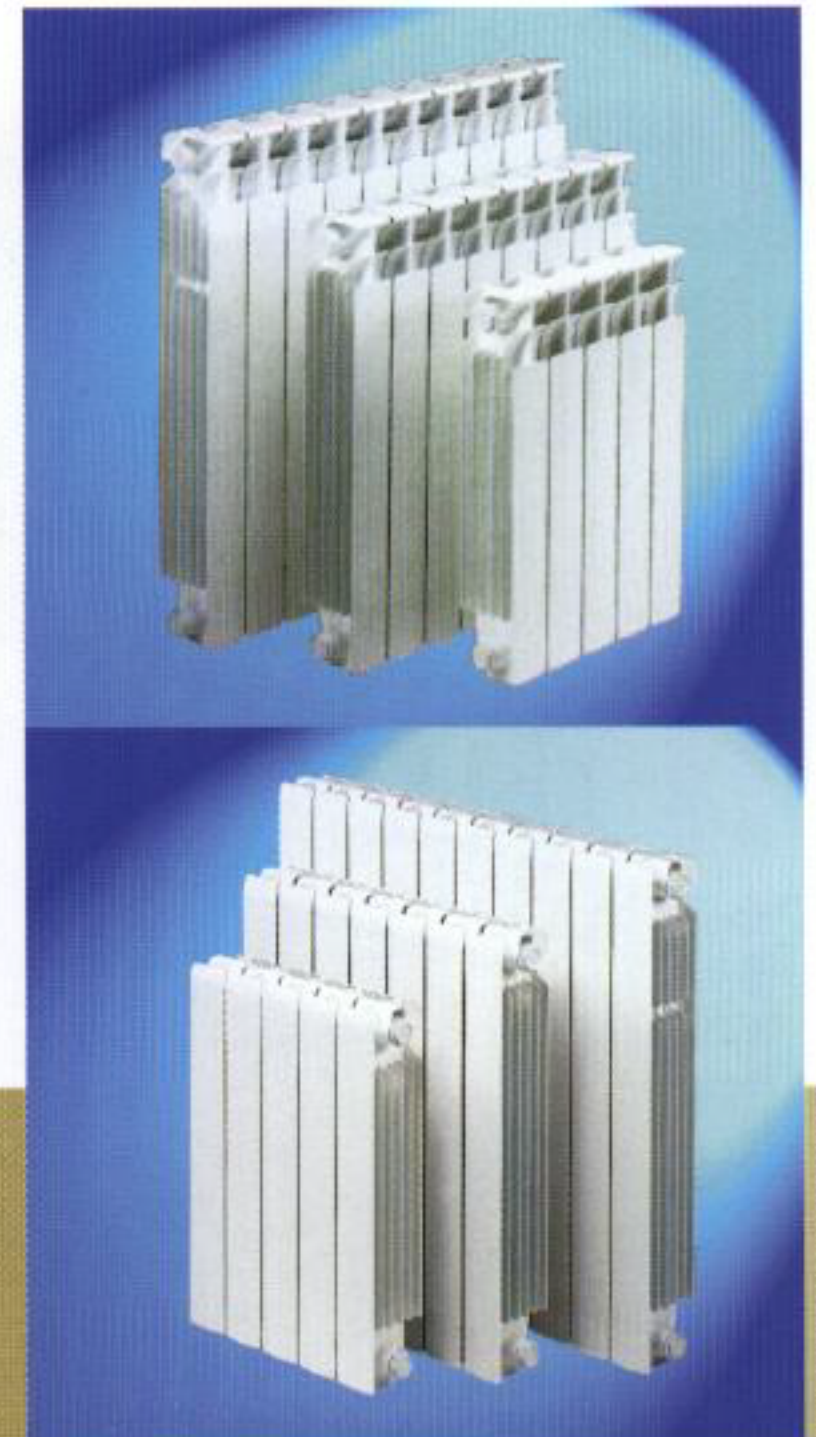
SUPPLIED WITH ALL PLUGS, VENTS AND EASY-TO-USE CONCEALED FIXING BRACKETS, THESE QUALITY RADIATORS ARE SIMPLE TO FIT WITH MINIMAL DISRUPTION DURING INSTALLATION.

CLAN AND CLUB

STYLISH

ALUMINIUM

RADIATORS



FÉRROLI'S CLAN AND CLUB RANGE OF ALUMINIUM RADIATORS COMBINE A HOST OF IMPORTANT FEATURES, INCLUDING HIGH RADIANT POWER, LIGHT WEIGHT AND CORROSION RESISTANCE.

PRODUCED BY AN ADVANCED HIGH PRESSURE DIE CASTING PROCESS, CLAN AND CLUB RADIATORS WILL LAST LITERALLY FOR EVER. THEIR LIGHT WEIGHT MAKES THEM EXTREMELY SIMPLE TO HANDLE AND FIT, AND THEY ARE HIGHLY RESPONSIVE TO DEMAND FOR HEAT. CLUB'S AESTHETICALLY PLEASING DESIGN INCORPORATES EASY TO CLEAN, FLAT FRONT SURFACES. CLAN FEATURES SPECIALLY ENLARGED CONVECTOR FINS FOR IMPROVED CONVECTION HEAT EMISSION. IN TRUE FÉRROLI TRADITION, THEY ARE ELEGANTLY DESIGNED TO SUIT EVERY DECOR.

WIDE CHOICE

THERE IS A CONSIDERABLE CHOICE OF SIZES. CLAN AND CLUB ARE AVAILABLE IN FIVE HEIGHTS, 431MM, 581MM, 681MM, 781MM AND 881MM, AND THEIR SECTIONAL CONSTRUCTION ENABLES ALMOST ANY LENGTH TO BE SUPPLIED IN MULTIPLES OF 80MM. DEPTH IS A STANDARD 98MM.

FINISHED IN A HIGH QUALITY IMPACT AND SCRATCH RESISTANT EPOXY PAINT FINISH, EVERY CLAN AND CLUB RADIATOR IS FULLY TESTED TO 9 BAR.

TAHITI

BEAUTIFUL CAST IRON RADIATORS

TAHITI CAST IRON RADIATORS COMBINE ALL THE BENEFITS OF TRADITIONAL COLUMN STYLE RADIATORS WITH THE DESIGN QUALITIES OF A STEEL OR ALUMINIUM RADIATOR. SLEEK AND MODERN IN APPEARANCE, THEY WILL COMPLEMENT ANY INTERIOR DESIGN. EACH SEGMENT IS RIGOROUSLY TESTED TO 8 BAR AND RE-TESTED AS A COMPLETE RADIATOR. WHICH MEANS ABSOLUTE QUALITY AND A LONG AND TROUBLE-FREE WORKING LIFE - FÉRROLI GUARANTEE IT!

HIGHLY EFFICIENT

SUPER EFFICIENT AND DESIGNED TO GIVE BOTH RADIATED AND CONVECTED HEAT, TAHITI RADIATORS REFLECT FÉRROLI'S UNIQUE FIFTY YEAR EXPERIENCE OF MANUFACTURING INNOVATIVE HEATING APPLIANCES FROM CAST IRON.

AS WITH ALL FÉRROLI RADIATORS, THERE IS THE WIDEST POSSIBLE CHOICE OF SIZES, INCLUDING THREE HEIGHTS; 562MM, 685MM AND 875MM AND FOUR DEPTH ALTERNATIVES; 67MM, 96.5MM, 130.5MM AND 181MM. EACH TAHITI RADIATOR IS MADE UP OF 60MM MODULES AND CAN BE SUPPLIED IN ALMOST ANY LENGTH.

ALL TAHITI RADIATORS ARE DELIVERED IN SETS OF TEN SEGMENTS, FULLY ASSEMBLED, WITH A HIGH QUALITY UNDERCOAT READY FOR PAINTING IN THE COLOUR OF YOUR CHOICE.



TONGA

ELEGANT

TOWEL

WARMERS

FÉRROLI'S DISTINCTIVELY DESIGNED TONGA TOWEL WARMERS ARE LIGHT IN WEIGHT AND MANUFACTURED TO THE HIGHEST QUALITY STANDARDS.

VERSATILE DESIGN

AVAILABLE IN A RANGE OF TWELVE SIZES, TONGA TOWEL RAILS CAN BE CONNECTED TO THE CENTRAL HEATING SYSTEM OR FITTED WITH AN ELECTRICAL ELEMENT FOR COMBINED WATER/ELECTRICAL HEATING SYSTEMS. TONGA'S CLEVERLY DESIGNED SEMI-OVAL SHOULDERS AND OVAL RADIATOR ELEMENTS ARE BOTH AESTHETICALLY PLEASING AND EXTREMELY PRACTICAL.

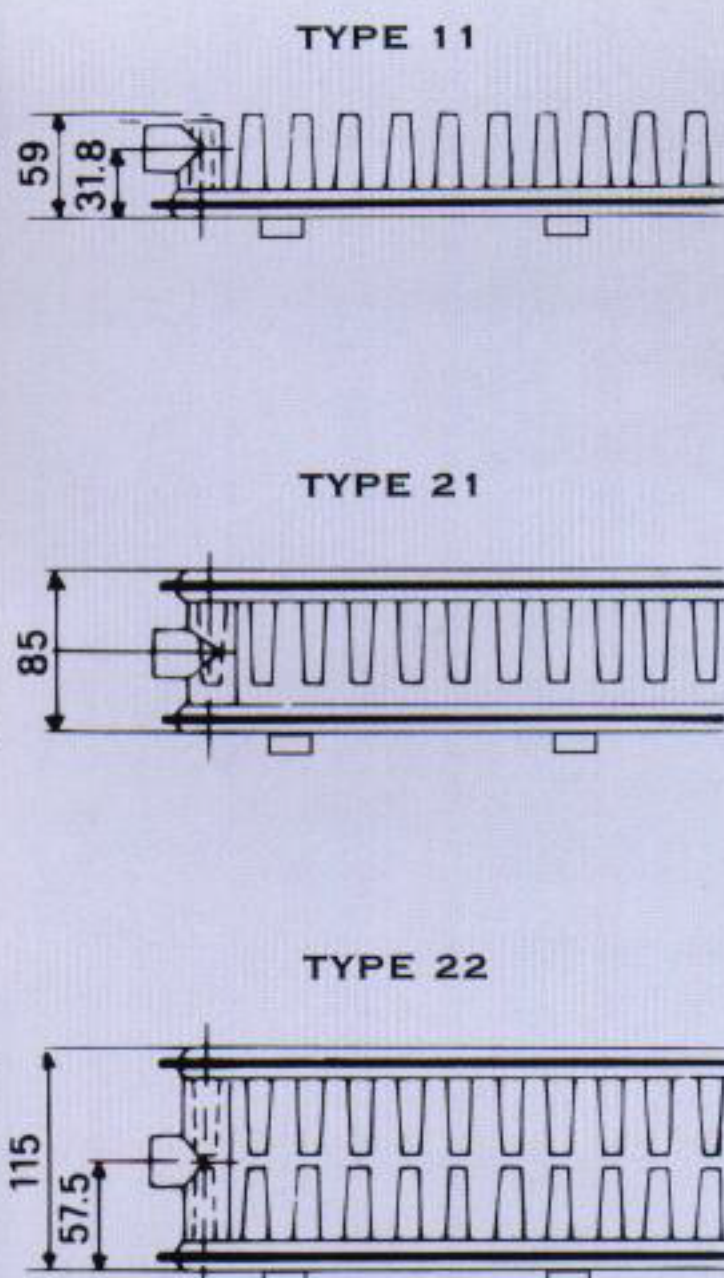


TESTED TO A MAXIMUM WORKING PRESSURE OF 9 BAR, TONGA TOWEL WARMERS WILL BRING A TOUCH OF CLASS TO ANY BATHROOM.



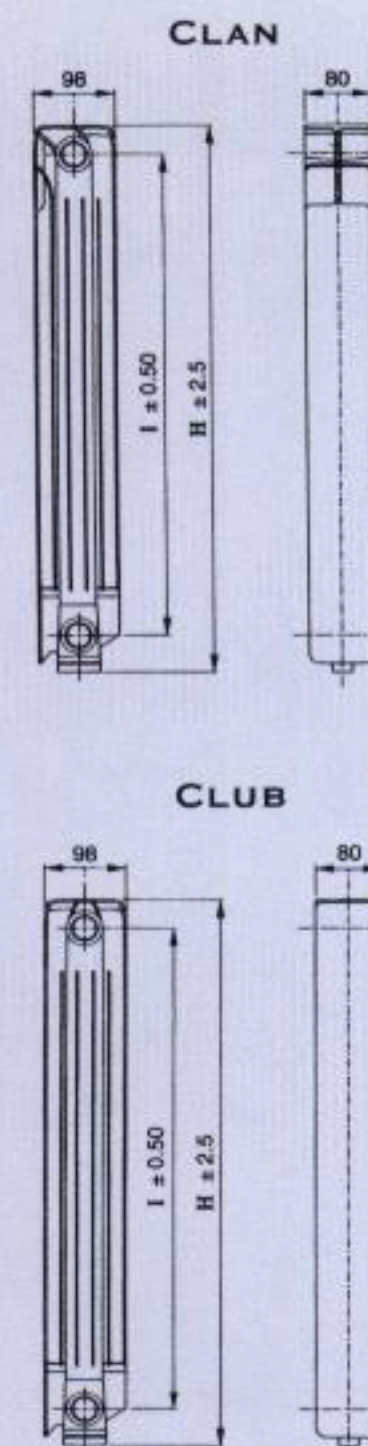
SUPER COMPACT STEEL

HEIGHTS FROM 300MM TO 900MM
LENGTHS FROM 450MM TO 3000MM
FACTORY TESTED TO 8 BAR (116 PSI)
GUARANTEED FOR 5 YEARS



CLAN & CLUB ALUMINIUM

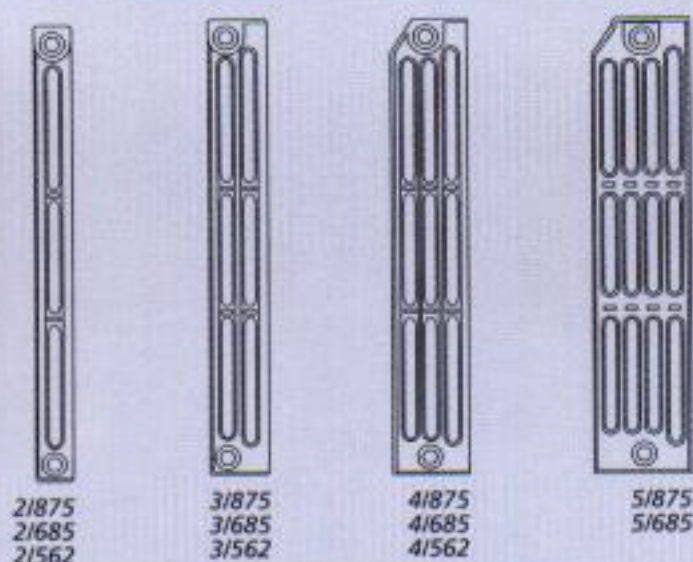
HEIGHTS - 431.5MM, 581.5MM,
681.5MM, 781.5MM, 881.5MM
LENGTHS - ANY LENGTH MADE UP
OF MODULES OF 80MM
DEPTH - 98MM
FACTORY TESTED TO 9 BAR (130 PSI)



MODEL	HEIGHT(MM)	OUTPUT(W)
CLAN 350	431.5	130
CLAN 500	581.5	171
CLAN 600	681.5	198
CLAN 700	781.5	225
CLAN 800	881.5	252
CLUB 350	431.5	126
CLUB 500	581.5	167
CLUB 600	681.5	194
CLUB 700	781.5	220
CLUB 800	881.5	247

TAHITI CAST IRON

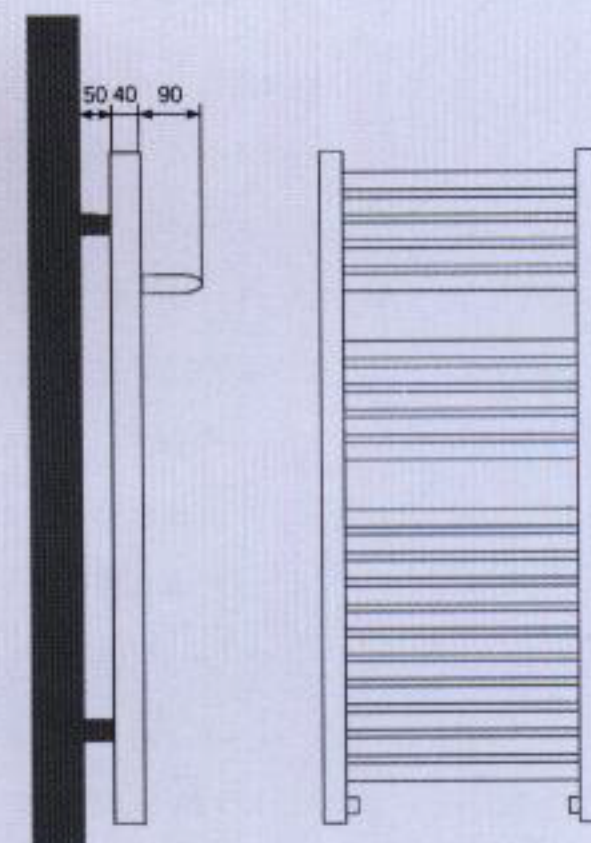
HEIGHTS - 562MM, 685MM, 875MM
LENGTHS - ANY LENGTH MADE
UP OF MODULES OF 60MM
DEPTH - 67MM, 96.5MM,
130.5MM, 181MM
EACH MODULE FACTORY TESTED
TO 8 BAR (116 PSI)



MODEL	HEIGHT(MM)	OUTPUT(W)
2/562	562	77.3
2/685	685	91.4
2/875	875	113.8
3/562	562	102.3
3/685	685	122.1
3/875	875	150.6
4/562	562	129.5
4/685	685	152.5
4/875	875	191.8
5/685	685	195.6
5/875	875	243.3

TONGA TOWEL RAILS

HEIGHTS - 750MM, 1200MM,
1800MM
WIDTHS - 450MM, 500MM,
600MM, 700MM
WET SYSTEM
COMBINED WET/ELECTRICAL SYSTEM
FACTORY TESTED TO 9 BAR (130 PSI)



CERTIFICATION STANDARD

Heat output figures for Férroli super compact steel radiators conform to European BS EN 442.

APPLICATION

We recommend that Férroli radiators are only used in heating systems complying with the BS Code of Practice for central heating of domestic premises, BS 5449, Part 1:1977. The radiator should only be used in indirect or closed circuits.

NOTES

Outputs quoted are at 60°C - outputs at 50°C are available on request from Férroli.

For full output and price details see Férroli price list.

Club and Clan aluminium radiators and Tahiti cast iron radiators are only available on special factory order.

ISO 9001

CERTIFIED PRODUCT

Manufactured and developed under
ISO 9001 quality system

All Férroli products conform to the current European Standards of Approval. Férroli pursues a policy of continuous product improvement and reserves the right to alter specifications and design without prior notice.

FÉRROLI - ONE OF THE WORLD'S LARGEST HEATING MANUFACTURERS

Férroli is one of the world's premier manufacturers of heating appliances. As well as radiators, its eight European plants produce over 350,000 domestic boilers every year and many thousands of commercial boilers with outputs up to 42 million Btu/h. It also manufactures air conditioning, hydro-massage baths and showers.



Stockton Close, Minworth Industrial Park, Minworth,
Sutton Coldfield, West Midlands B76 1DH.
Tel: 0121 352 3500 Fax: 0121 352 3505



0063
CERTIFIED PRODUCT