



SIGMA

**WALL MOUNTED CAST IRON,
GAS FIRED BOILER FOR CENTRAL HEATING
FAN ASSISTED, ROOM SEALED COMPARTMENT,
ELECTRONIC FLAME IGNITION AND CONTROL**

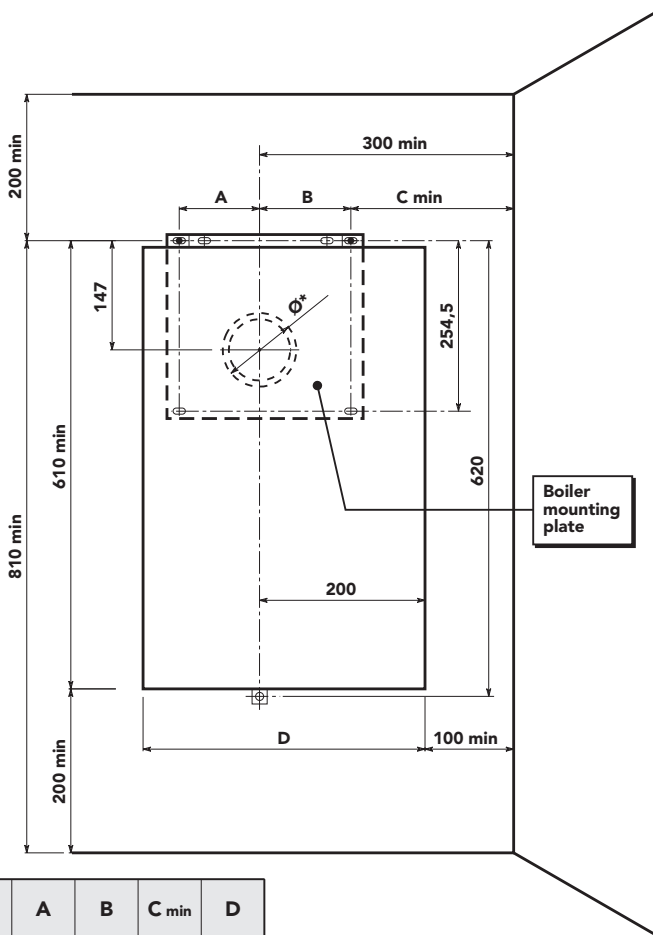


**BOILER MOUNTING
PLATE INSTRUCTIONS**

0.1 • Drilling Template (Standard Rear Flue Application)

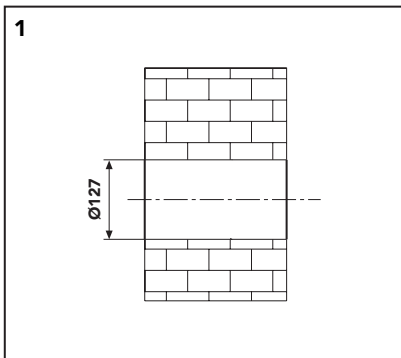
Select suitable mounting position for boiler, using the template or mounting plate mark flue outlet and boiler mounting points. Drill two 10mm holes 70mm deep to accept the wall plug. Using a core drill cut a 118 or 127 mm diameter hole for the flue.

***Note:** Drill cut a 118 mm diameter hole if it is possible insert the flue-pipe from outside of the room; drill cut a 127 mm diameter hole if to insert the flue-pipe from inside of the room.

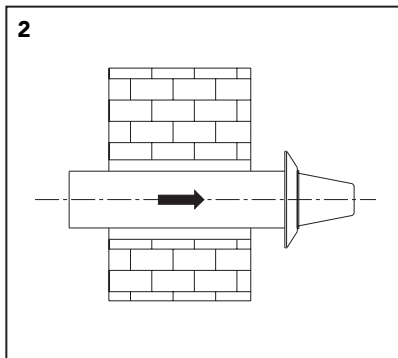


Model	A	B	C min	D
Sigma 30-40	100	100	200	320
Sigma 50-60	170	110	190	400

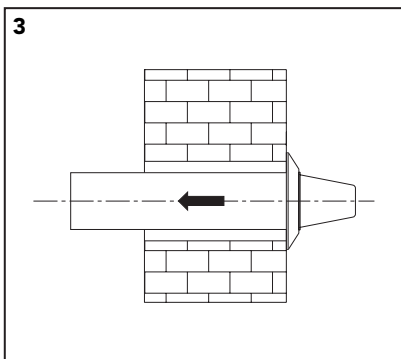
0.2 • Back flue outlet (Diagram 1-9) (Flue-pipe insert from outside of the room)



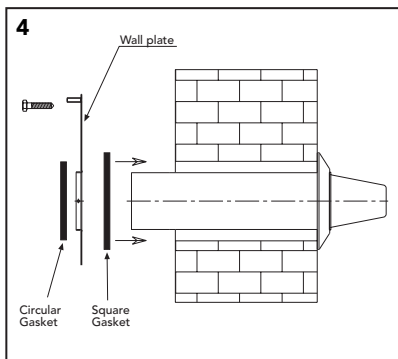
1. Core drill 127mm hole (5").



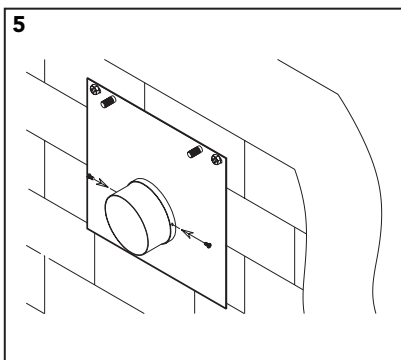
2. Push through the outer flue.



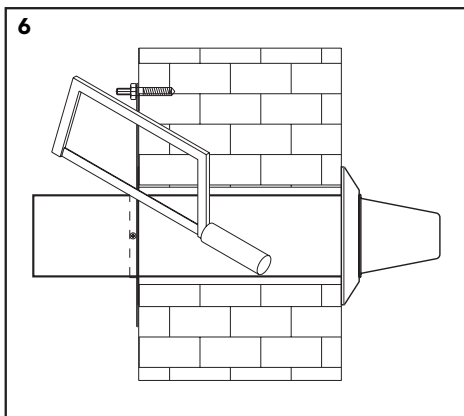
3. Gently pull back until wall seal is flush with the wall.



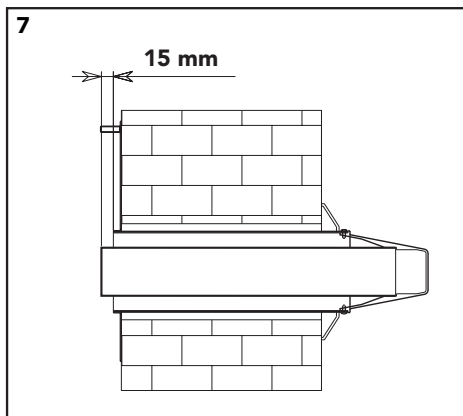
4. Place wall plate on outer flue ensuring it is level. Mark and drill two holes for expanding bolts. Fix plate to wall with the square gasket between the wall and the plate use the large diameter washers for the bolts and screws.



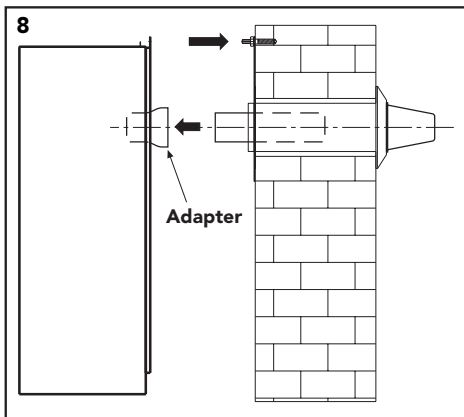
5. Through plate into air tube, drill two holes and fix in place using two self tapping screws No 6 x 6mm long.



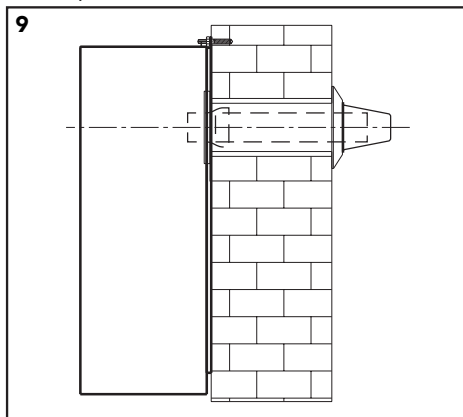
6. Cut the outer flue flush with the flange on the hanging plate.



7. Insert the aluminium flue pipe into white plastic outer flue, making sure the aluminium pipe sits fully and centrally into the flue terminal. Mark the aluminium flue pipe at the point it is flush with the mounting plate. Add 15 mm to this mark and cut the aluminium inner flue pipe at this point.



8. Insert adapter into the boiler flue outlet. Install the inner metal flue into the adapter. Lift boiler with flue pipe in place, engage inner and outer flue, slide into position



9. Make sure the inner flue is fully engaged in the flue terminal, secure boiler with two nuts and washers.