

NON CODED FUNCTIONS

EXTEND: Press EXT key and the time period will be extended by the time set in 'EXTEND'.

SYSTEM OFF: Press and hold (6 secs), the EXT key to switch off the system. Repeat to restore.

CLOCK DETAILS

ON/OFF TIME PERIODS

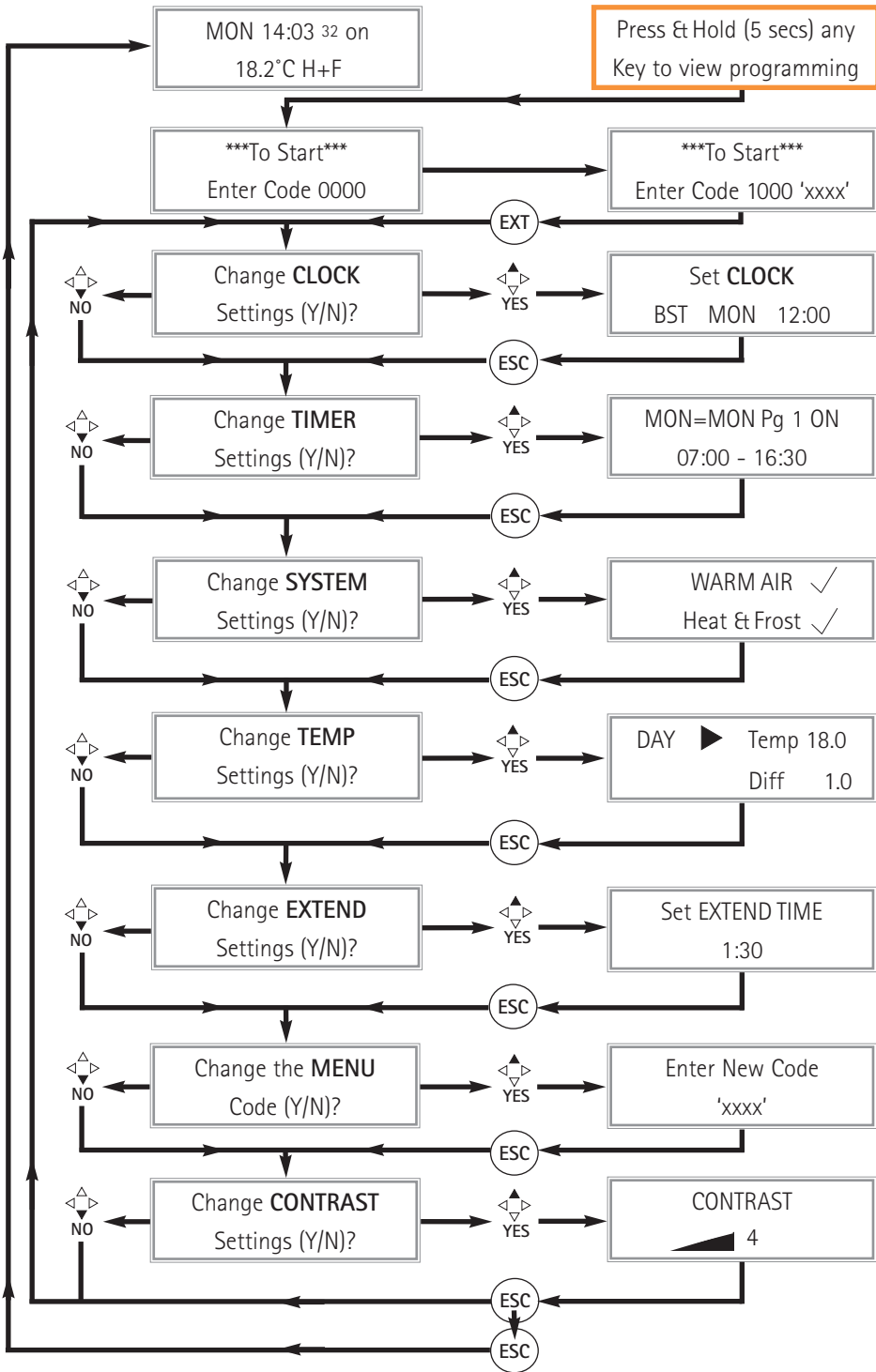
MODE TYPES

DAY/NIGHT TEMP SETTINGS

CLOCK OVERRIDE

PASSWORD CHANGE

SCREEN CONTRAST



DEFINITION & GUIDANCE

Main screen appearance - Day, Time, Building temperature and Control mode.

Key in unique password.
Note Factory set code is 1000

Set Day, Time & GMT or BST.
 Select ◀▶ to toggle between functions. Select ◀▶ to alter setting.

Programme Time Period (3 pairs per day).
 Select ◀▶ to toggle between functions. Select ◀▶ to alter setting.
Note To copy same times, change second day to day to copy, change first day to day to be duplicated and select EXT.

Set Heating Function and Type.
 Select ◀▶ to toggle between function and type. Select ◀▶ to alter setting. Select EXT to confirm.

Set Day and Night Space Temperatures.
 Select ◀▶ to toggle between Period. Select ◀▶ to move between settings. Select ◀▶ to alter temperature settings. Set Day and Night Diff to 1.0° for warm air.

Set Extend or Run-On Period.
 Select ◀▶ to move between hrs and mins. Select ◀▶ to alter time setting. To operate, select EXT and the time period will be extended by the time set.

Set New Unique Password Code.
 Use up to 4 digits. Select ◀▶ to move between digits. Select ◀▶ to alter number. *Note Factory set code 1000.*

Set Screen Contrast.
 Select ◀▶ to increase or decrease contrast whilst powered via mains supply.