

# Installation Instructions

## Alpha Solar Valve Kit

(Part No. 3.017409)

Only for use with an Alpha Combination Boiler

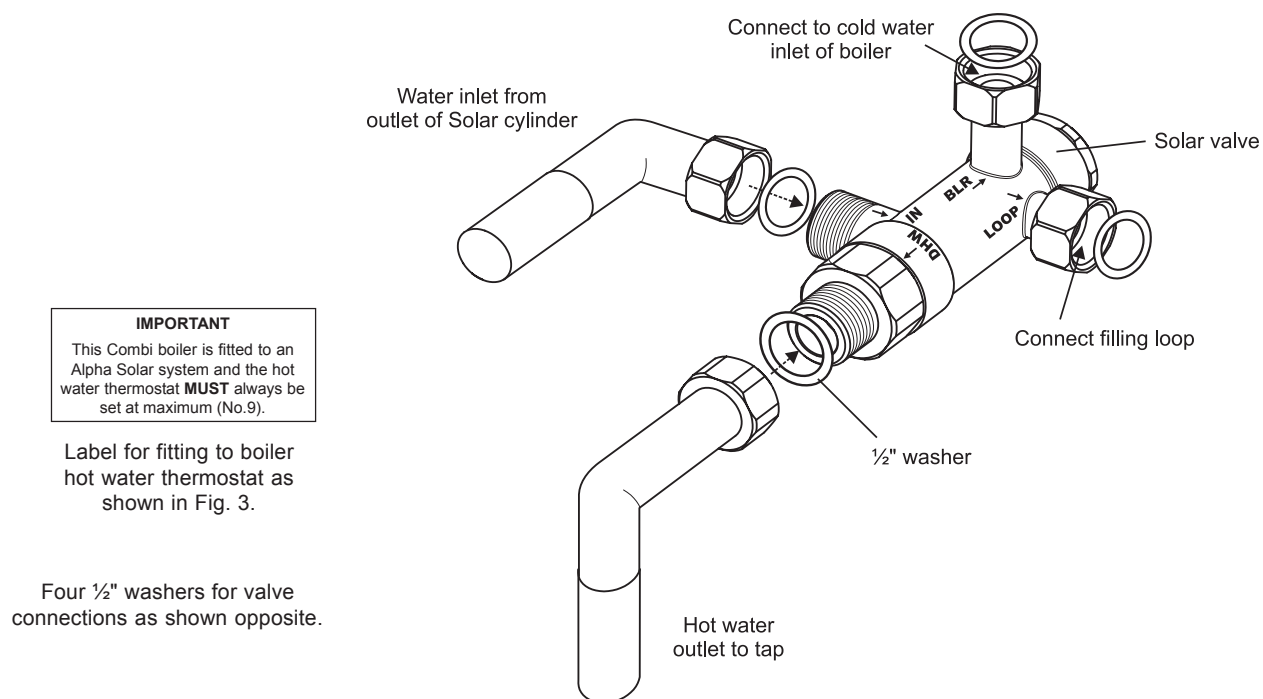


Fig. 1 Kit Contents

### 1. INTRODUCTION

The Alpha Solar Valve must always be fitted to an Alpha combination boiler on the cold water inlet connection. It is supplied with the Alpha Solar Smart System and must always be fitted to the combi boiler when used with the system. The hot water thermostat on the boiler **must** always be turned fully clockwise to the maximum setting, i.e. No. 9.

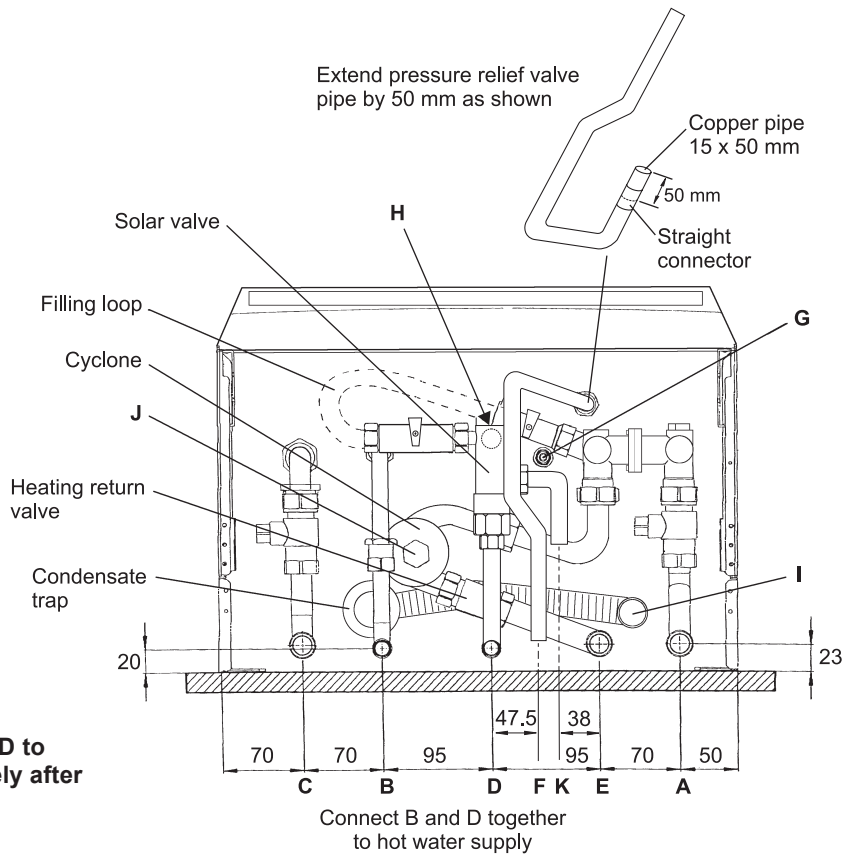
### 2. FIT THE SOLAR VALVE TO THE BOILER

- Connect the Solar Valve directly to the boiler cold water inlet. Then connect the pipework to the Solar Valve as shown in Fig. 1 and 2.  
**Notes:**
  - If the valve is being fitted to an existing boiler installation, the mains water inlet must be re-routed to the inlet of the Solar cylinder's unvented kit.
  - Ensure the hot water outlets 'B' and 'D' (see Fig. 2) are connected together after the boiler.
  - It is recommended that a thermostatic mixing valve is fitted on the hot water outlet before the taps.
- The pressure relief valve discharge pipe 'F' (see Fig. 2) will need to be modified as shown, i.e. extend the length of the pipe leaving the safety valve outlet by 50 mm using a straight connector and a piece of 15 x 50 mm copper pipe.
- A self adhesive label is supplied in the Solar Valve Kit. This label **must** be located as shown in Fig. 3, over the boiler hot water thermostat knob after it has been set to its maximum position, i.e. fully clockwise to position No. 9. This will ensure that the hot water temperature from the boiler will be approximately 60°C and will prevent the knob from being adjusted to a lower temperature.

**Note:** The User must be informed of the purpose of this label, which **must not** be removed.

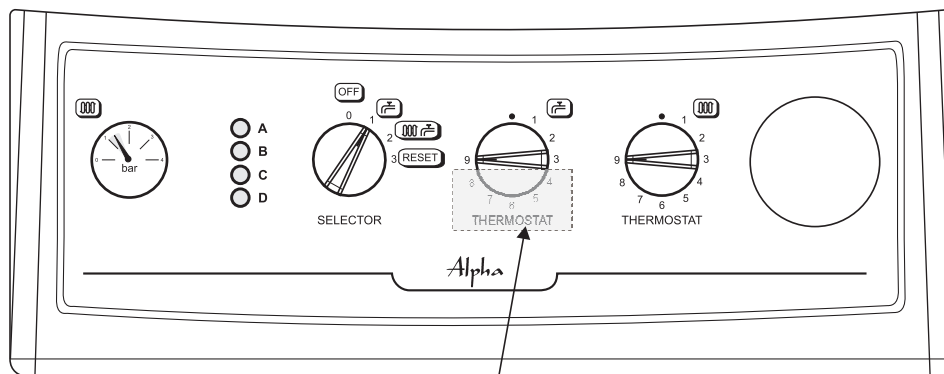
**Note:** Disconnect the filling loop after filling the central heating system.

- A - Heating flow (22 mm)
- B - Hot water outlet (15 mm)
- C - Gas inlet (22 mm)
- D - Hot water outlet from Solar valve (15 mm)
- E - Heating return (22 mm)
- F - Pressure relief valve outlet (15 mm)
- G - Heating drain point
- H - Cold water inlet filter
- I - Condensate discharge pipe
- J - Cyclone drain point
- K - Water inlet from Solar cylinder (15 mm)



**Note:** Join together hot water outlets B and D to provide a single hot water supply immediately after boiler installation.

**Fig. 2**



**IMPORTANT**  
 This Combi boiler is fitted to an Alpha Solar system and the hot water thermostat **MUST** always be set at maximum (No.9).

**Fig. 3**

**Alpha**  
 BOILERS

Alpha Therm Limited.  
 Nepicar House, London Road, Wrotham Heath,  
 Sevenoaks, Kent TN15 7RS  
 Tel: 0870 3001964

email: [info@alphatherm.co.uk](mailto:info@alphatherm.co.uk)  
 website: [www.alpha-boilers.com](http://www.alpha-boilers.com)

*These instructions have been carefully prepared but we reserve the right to alter the specification at any time in the interest of product improvement.*  
 © Alpha Therm Limited 2006.