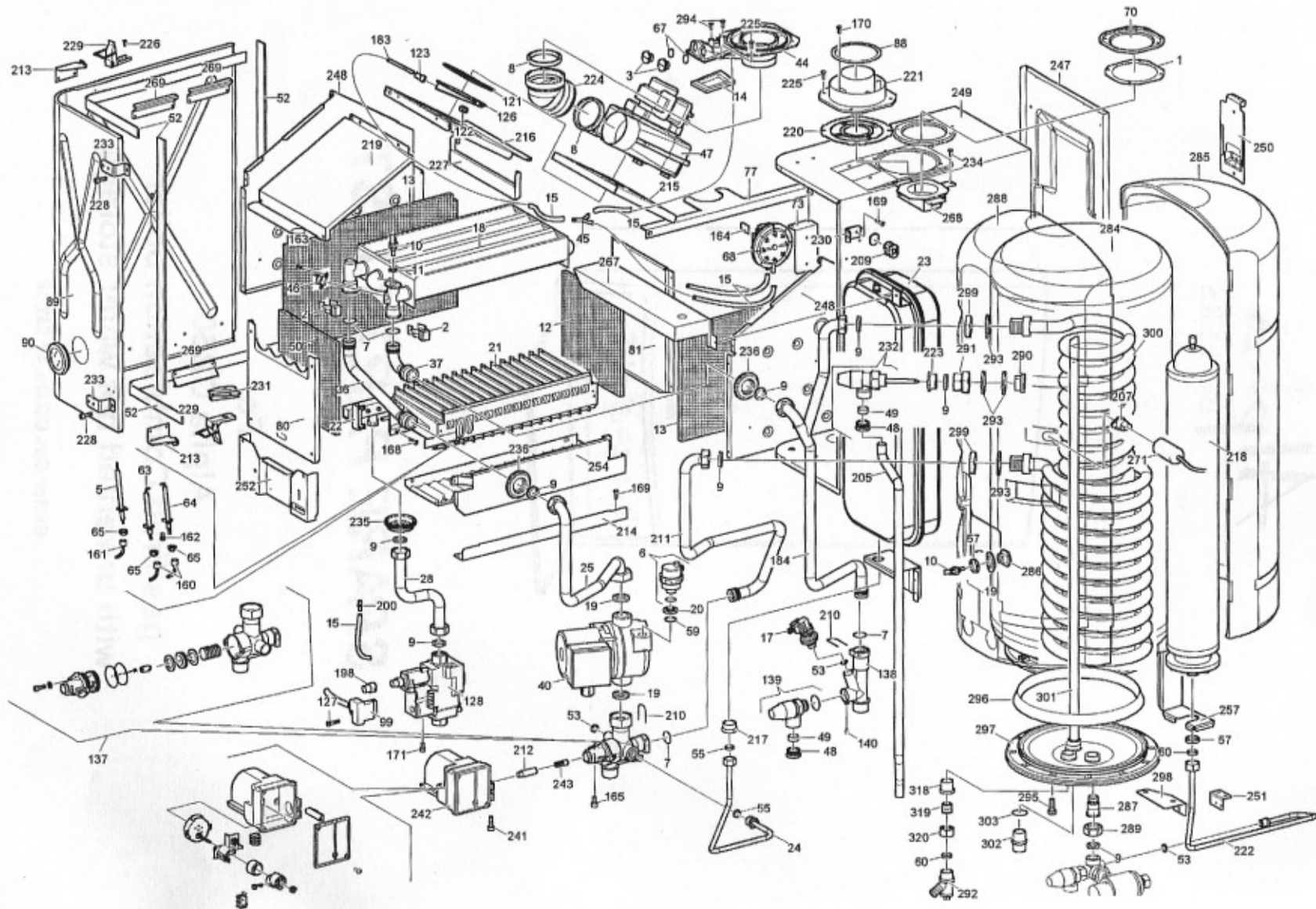


SPARE PARTS LIST

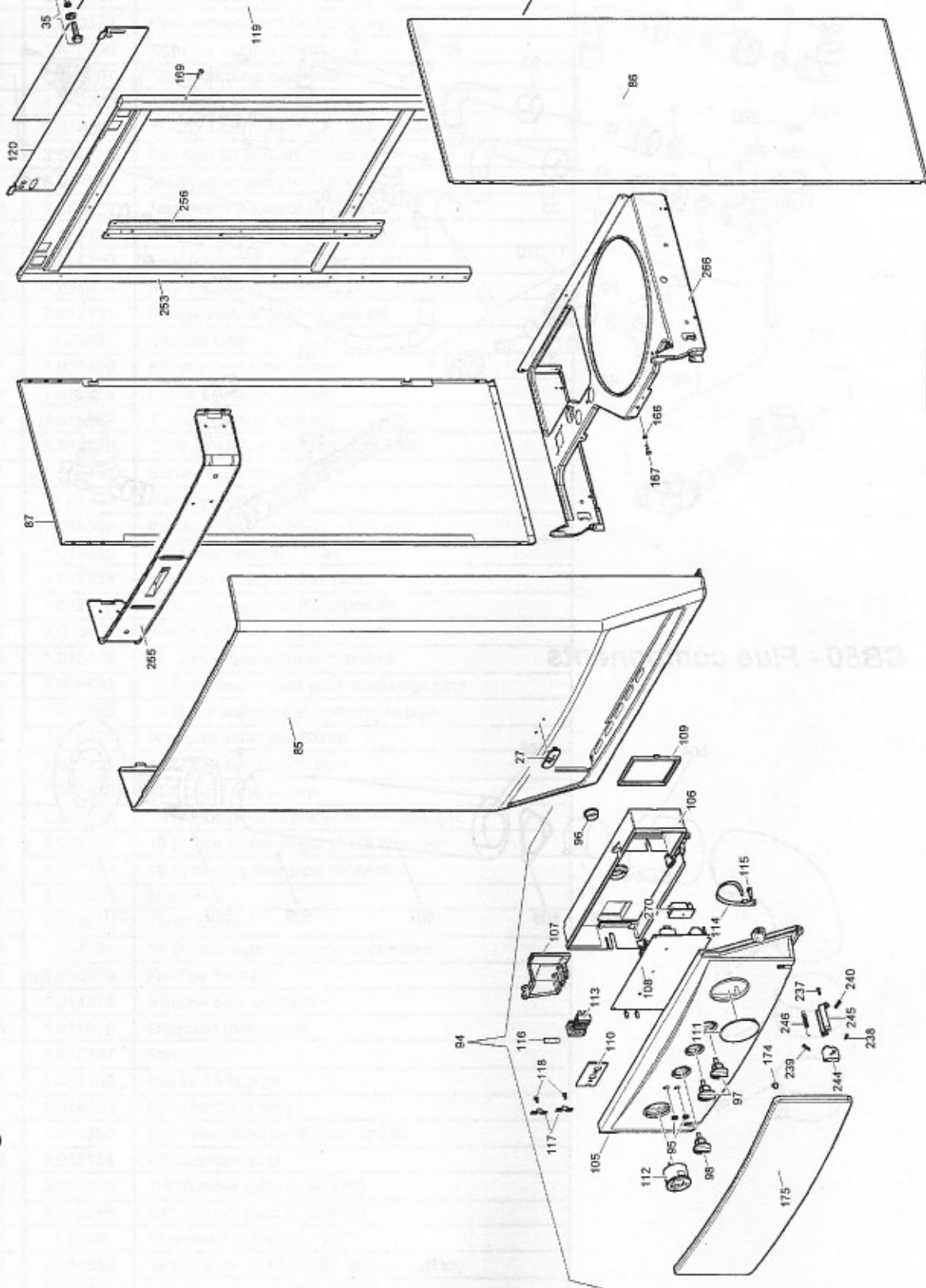
For
Alpha CB50
gas fired Combination boiler
with unvented hot water storage

British Gas GC No. 47 532 18

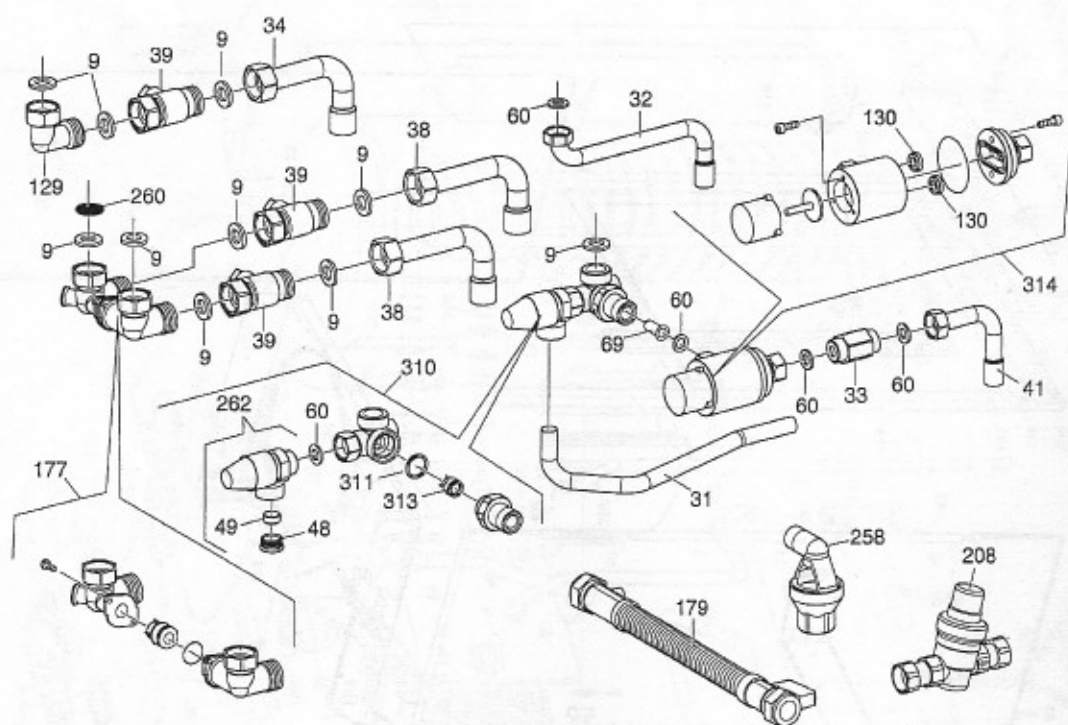
CB50 - Boiler exploded view



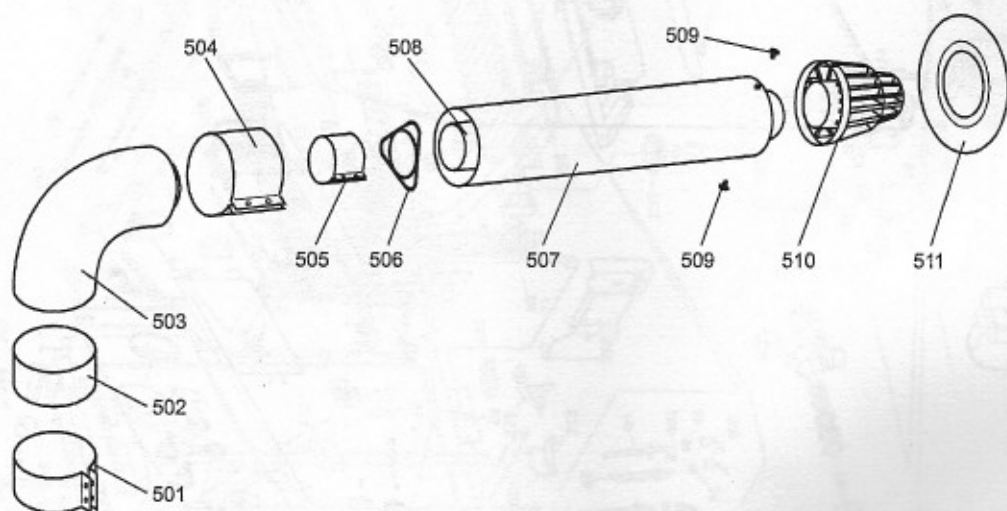
CB50 - Casing



CB50 - Connection pipework



CB50 - Flue components



Ref No.	Alpha CB50	Description
1	3.014731	Gasket 80 D. (part of seal kit)
2	1.010371	Heat exchanger tube fixing clip
3	1.010430	Caps for sample points
5	1.010707	Flame sensing electrode
6	1.010771	Automatic air vent
7	3.014689	'O' ring seal 17.86 x 2.62 (part of seal kit)
8	3.014731	Fan seal 60 D. (part of seal kit)
9	3.014685	3/4" Washer (part of seal kit)
10	1.015970	Temperature sensor (NTC)
11	3.014732	Washer (NTC) (part of seal kit)
12	3.014390	Rear insulation panel (part of set)
13	3.014390	Side insulation panel (part of set)
14	3.014731	Flange washer (part of seal kit)
15	1.2363	Silicone tube
17	1.017496	Primary pressure switch
18	1.015755	Primary heat exchanger
19	3.014689	1" seals (part of seal kit)
20	3.014689	'O' ring (AAV) 25 D. (part of seal kit)
21	1.018491	Burner assembly
22	1.4270	Main injector 1.3 mm
22	1.018500	Injector manifold (NG)
23	1.014655	Expansion vessel 8 litres
24	1.017758	8 D. pipe for expansion vessel
25	1.012716	18 D. pipe pump to RS chamber
27	1.015407	Plastic plate with 'Alpha' brand
28	1.016415	18 D. pipe gas valve to manifold
31	1.018682	15 D. pressure relief valve discharge pipe
32	1.017756	14 D. hot water outlet connection pipe
33	1.015421	½ in cold water inlet valve
34	1.017755	18 D. gas connection pipe
35	1.015423	Wall plugs and screws
36	1.018510	18 D. return RS chamber to H/exchanger
37	1.012720	18 D. flow H/exchanger to RS chamber
38	1.017753	18 D. heating flow pipe connection
39	1.015491	¾ in valve
40	1.015610	15-60 pump
41	1.017754	14 D. cold water inlet pipe connection
44	1.010339	Fan/flue manifold
45	1.014373	Silicone pipe connector
46	1.016870	Overheat thermostat
47	1.012307	Fan
48	1.016152	Nut for 15 D. pipe
49	1.016153	Olive for 15 D. pipe
50	3.014390	Front insulation panel (part of set)
52	1.013154	RS chamber seal
53	3.014685	1/4" Washer (part of seal kit)
55	3.019685	3/8" Washer (part of seal kit)
57	1.1269	Shortened brass nut - 1/2"
59	3.014689	'O' ring seal 17.86 x 2.62 (part of seal kit)
60	3.014687	1/2" Washer (part of seal kit)
63	1.2405	Ignition electrode - Left

Ref No.	Alpha CB50	Description
64	1.2408	Ignition electrode - Right
65	1.5780	Grommet - Electrode lead
67	3.014731	'O' ring seal 10.77 x 2.62 (part of seal kit)
68	1.012849	Air pressure switch
69	1.8403	Filter
70	2.010055	80 D. cover plate
73	2.010338	Air pressure switch support bracket
77	2.010398	Air distribution top panel
80	2.010380	Combustion chamber front panel
81	2.010471	Combustion chamber rear panel
85	2.011933	Case front panel
86	2.011931	Case r/h side panel
87	2.011932	Case l/h side panel
88	2.011907	Air inlet restrictor
89	3.012783	RS chamber cover assembly
90	3.012705	Glass with grommet
94	3.013992	Control panel assembly
95	1.010365	Glass for LED
96	1.011968	Cap for PCB access hole
97	1.013340	DHW/CH control knob
98	1.014054	Selector switch knob
99	1.014144	Gas valve plug
105	1.017671	Control panel housing
106	1.017673	Control panel rear cover
107	1.015404	Main terminal block cover
108	1.017658	PCB
109	1.015406	Clock connection rear cover
110	1.015621	Terminal block ID card
111	1.015753	Clock blank
112	1.016151	Pressure gauge
113	1.4005	Main terminal block with fuse holder
114	1.4072	Cable retainer
115	1.4139	Screw 3.9 x 13 self tapping
116	1.6098	Fuse - 5 x 20 2.5A 250V
117	1.7908	Cable clamp
118	1.7967	Screw 3.5 x 19 self tapping
119	1.017766	Wall template
120	2.011833	Wall mounting bracket
121	1.012247	Draught diverter to fan seal
122	1.011749	M8 x 0.5 nut for pressure tube
123	1.011111	Fitting for pressure tube
126	3.012842	Draught diverter diaphragm assembly
127	1.010265	Screw M3 x 25 - gas valve plug
128	1.015803	Gas valve - VK4105
130	1.011128	Flow regulator - 10 litres
137	3.014018	Diverter valve assembly
138	3.017759	Inlet manifold assembly
139	1.011126	3 bar pressure relief valve with seal
140	1.016169	Pressure relief valve retaining screw
160	3.014618	Ignition electrode lead
161	3.014389	Flame sensing electrode lead

Ref No.	Alpha CB50	Description
162	1.0152	Screw 3.9 x 9.5 self tapping
163	1.015498	Screw M3.5 x 4
164	1.016150	Cap
165	1.1176	Screw M5 x 8
166	1.4246	Lock washer M4
167	1.7030	Screw M4 x 10
168	1.4359	Screw M4 x 6
169	1.4557	Screw 4.2 x 9.5 self tapping
170	1.5459	Screw M3 x 6
171	1.016246	Screw M4 x 8 self forming
174	1.012641	Silicone cap - control panel cover
175	1.012784	Control panel hinged cover
177	3.013081	By-pass assembly
179	3.013129	Filling loop assembly
183	1.010343	Pressure tube connector
184	1.018063	18 D. pipe - RS chamber to CH flow
198	1.016497	Gas valve cap
200	1.017228	RS chamber silicone tube fitting
205	1.017757	15 D. Pressure/temp safety valve outlet pipe
207	1.016715	Automatic flow regulator thermostat
208	1.017936	Pressure reducing valve 2.5 bar
209	1.010883	Cable clamp
210	1.010362	18 D. pipe clip
211	1.012721	18 D. 3-way valve to cylinder pipe
212	1.013059	Diverter valve plunger
213	2.4271	R/H draw pull catch claw plate
213	2.4272	L/H draw pull catch claw plate
214	2.010472	Burner bottom deflector plate
215	2.010101	Fan mounting plate
216	2.010369	Flue hood rear cover
217	1.014894	G 3/8" lock nut
218	1.018837	DHW expansion vessel 4 litres
219	2.010368	Flue hood front cover
220	3.014731	Flue connection flange seal (part of seal kit)
221	1.016740	Flue connection flange
222	1.017760	8 D. DHW expansion vessel pipe
223	1.016364	G 3/4" - 1/2" reducer
224	1.011213	Fan outlet elbow
225	1.6985	Screw M4 x 16
226	1.011114	Screw 3.9 x 9.5 self tapping
227	2.010323	Flue hood rear bracket
228	1.0017	Screw M6 x 12
229	1.2446	Draw pull catch
230	2.010314	Threaded bracket for sealed chamber
231	2.4261	Bracket - room sealed chamber cover
232	1.8244	Pressure/temperature safety valve
233	2.010317	Bracket - room sealed chamber cover
234	1.013219	Screw 4.2 x 6.5 self tapping
235	1.6572	Grommet 14.5 D.
236	1.6407	Grommet 21 D.
237	1.013013	Screw 2.9 x 9.5 self tapping

Ref No.	Alpha CB50	Description
238	1.013014	Screw 2.2 x 6.5 self tapping
239	1.013015	Screw M3 x 20 self tapping
240	1.013016	Cylindrical pin 3 x 16
241	1.6269	Screw M3 x 35
242	3.011991	Diverter valve motor unit
243	3.013303	Coupling alignment pin
244	1.012640	Door spring catch pin
245	1.012639	Door hinge mount
246	1.013967	Door closing spring
247	2.010364	Sealed chamber back panel
248	2.010367	Combustion chamber
249	2.010897	Sealed chamber side panel
250	2.010452	Cylinder bracket
251	2.010453	Cylinder angle bracket
252	2.010540	Burner assembly front panel
253	2.010555	Rear frame
254	2.010566	Burner bottom heat shield
255	2.010759	Cross member - left & right side panels
256	2.011032	Central frame upright
257	2.011443	DHW expansion vessel support bracket
258	1.018148	Tundish
260	1.012489	Return pipe filter
261	3.014687	'O' ring 31.42 x 2.62 (part of seal kit)
262	1.018091	Safety valve 6 bar
263	1.010784	Screw M4 x 12 hex socket
266	2.011880	Valve mounting plate
267	2.011831	DHW expansion vessel support bracket
269	2.4270	Location bracket - room sealed chamber cover
270	1.015689	PCB - diverter valve
271	1.011065	Silicone cap for thermostat
284	3.014017	Complete cylinder
285	1.012610	Cylinder rear insulation
286	1.012668	Cylinder temperature sensor fitting
287	1.013387	Inlet fitting - cylinder base
288	1.017764	Cylinder front insulation
289	1.8407	3/4" nut for 1/2" valve - cylinder base
290	1.017765	3/4" fitting for cylinder safety valve
291	3.014023	Fitting for safety valve assembly
292	1.018062	Cylinder drain valve
293	3.014688	Seal 37 x 26.8 x 2 (part of seal kit)
294	1.011057	Pressure test point screw
295	1.1760	Screw M8 x 22 hex head
296	3.014688	Cylinder seal (part of seal kit)
297	2.4212	Cylinder connections cover
298	2.010611	Cylinder bottom support bracket
299	2.3123	3/4" locknut for coil
300	3.011207	Coil assembly
301	1.018058	Cylinder probe pipe
302	1.2370	Hot water outlet fitting
303	3.014688	'O' ring 18.64 x 3.53 (part of seal kit)
310	3.014189	Cold water inlet assembly

Ref No.	Alpha CB50	Description
311	3.014687	'O' ring 17.86 x 2.62 (part of seal kit)
313	1.8251	Check valve
314	3.014190	Automatic flow regulator assy.
315	3.014416	Cut-off assembly
318	1.017797	Reducer 1/2"M - 3/8" F
319	1.6529	3/8" fitting for drain valve nut
320	1.6530	1/2" nut for drain valve
-	3.014390	Combustion chamber insulation panel set
		FLUE COMPONENTS
501	6.5630140	Flue clamp - 100 mm D. x 40 mm
502	6.5404950	Flue clamp seal - 100 mm D. x 40 mm
503	6.1000330	Flue 90° bend/clamp/seal
504	6.5630130	Flue clamp - 100 mm D.x 70 mm
505	6.5621890	Inner flue clamp - 60 mm D. x 40 mm
506	6.5107710	Flue centralising support - 100/60 mm
507	6.5627630	Air duct outer - 100 mm D. x 750 mm
508	6.5207220	Flue duct inner - 60 mm D. x 790 mm
509	6.8100757	Flue terminal screw
510	3.013165	Flue terminal/collar/screws - 100/60 mm
511	6.1000375	Flue sealing collar (100 mm)
		SEAL KITS
-	3.014685	Water complete
-	3.014686	Gas complete
-	3.014687	All water/gas connections underneath boiler
-	3.014688	DHW cylinder complete
-	3.014689	Pump, primary H/Ex, 3-way valve
-	3.014731	Fan/Flue
-	3.014732	AAV/NTC/prim press switch/exp vessel/press gauge
		ELECTRICAL WIRING ASSEMBLIES
-	3.014694	Cable - Pump
-	3.014695	Cable - NTC, air press switch, gas valve modulator
-	3.014389	Cable - Flame sensor lead to PCB
-	3.014697	Cable - 3-way diverter valve
-	3.014698	Cable - Primary pressure switch
-	3.014699	Cable - Main PCB to diverter PCB
-	3.014700	Cable - Fan, gas valve, overheat stat, flow regulator
		LITERATURE
-	1.017833	Installation and Servicing instructions
-	1.017841	User instructions
-	3.014394	User pack i.e. User instructions, guarantee etc.
-	1.016235	Benchmark log book

Alpha
BOILERS

Alpha Therm Limited.
Goldsel Road, Swanley, Kent BR8 8EX
Tel: (01322) 669443
Fax: (01322) 615017