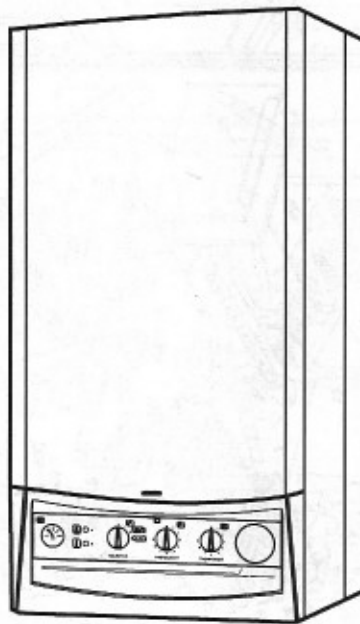
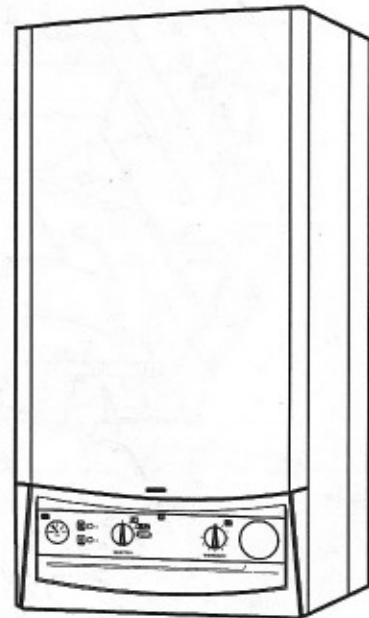


CB24, CB28 models



CB24X, CB28X models



SY24 model

## ***SPARE PARTS LIST***

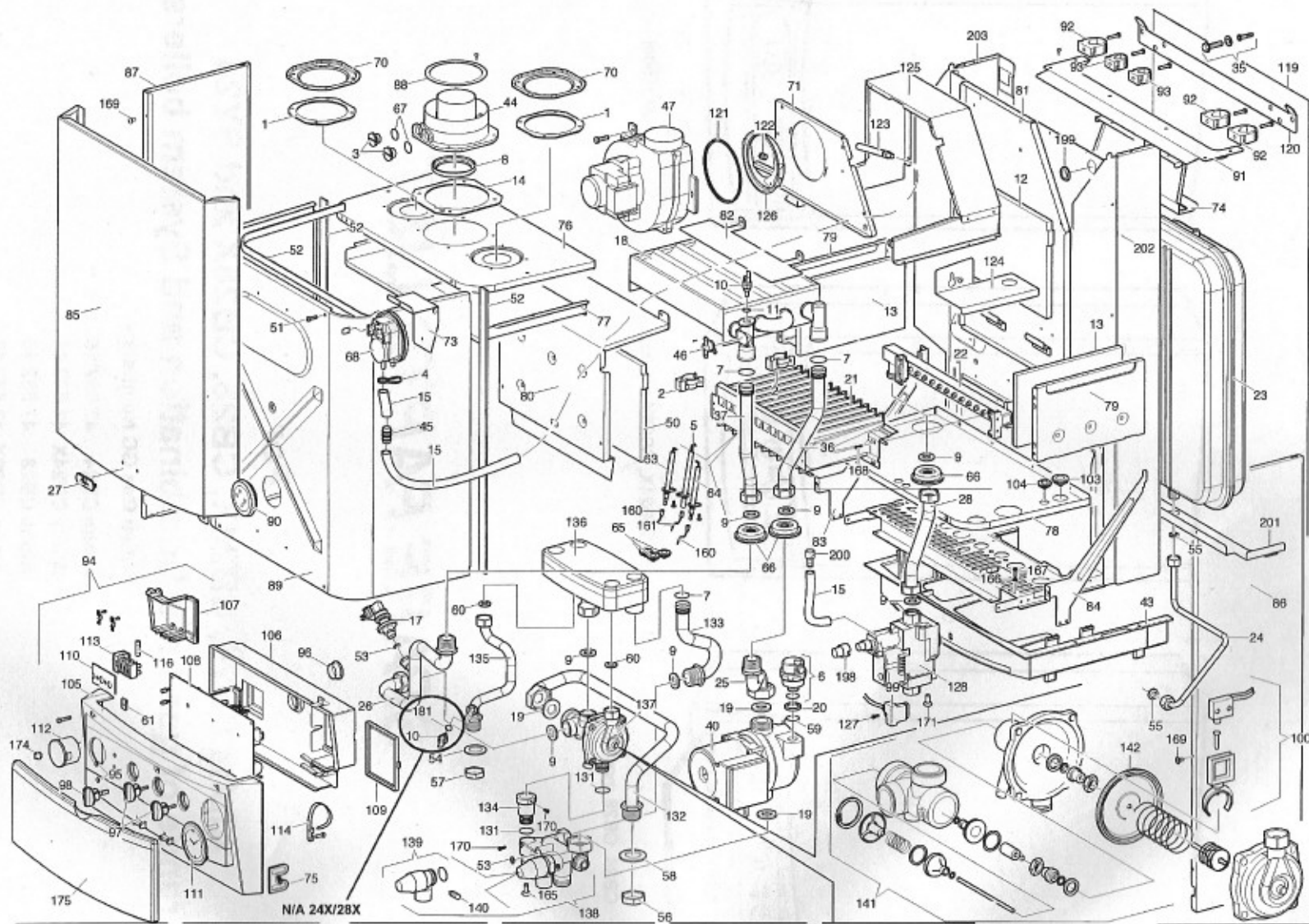
For

**Alpha CB24, CB24X, CB28, CB28X and SY24  
range of gas fired Combination and System boilers**

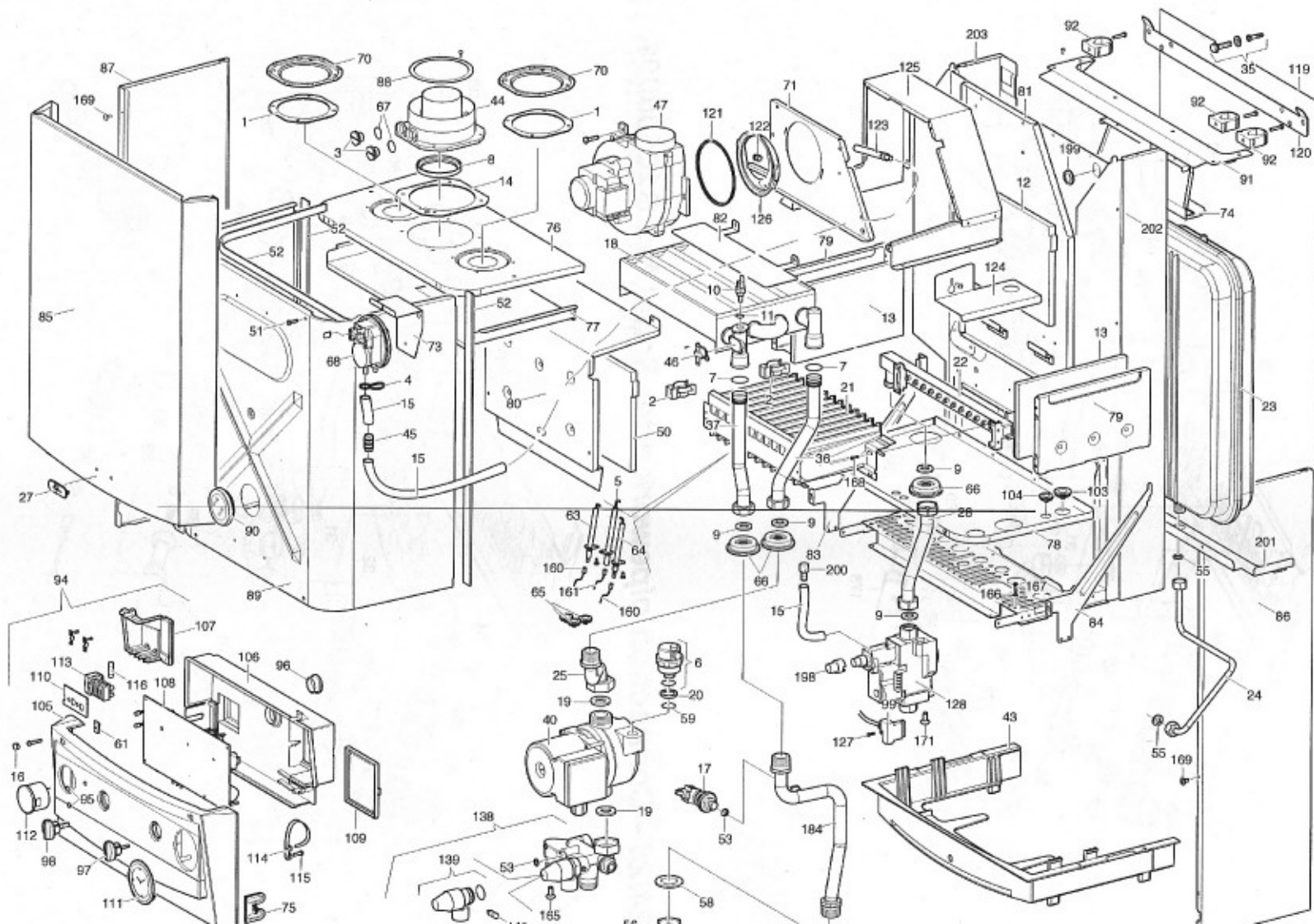
British Gas GC Numbers:-

Alpha CB24	47 532 15
Alpha CB24X	47 532 14
Alpha CB28	47 532 16
Alpha CB28X	47 532 17
Alpha SY24	41 532 01

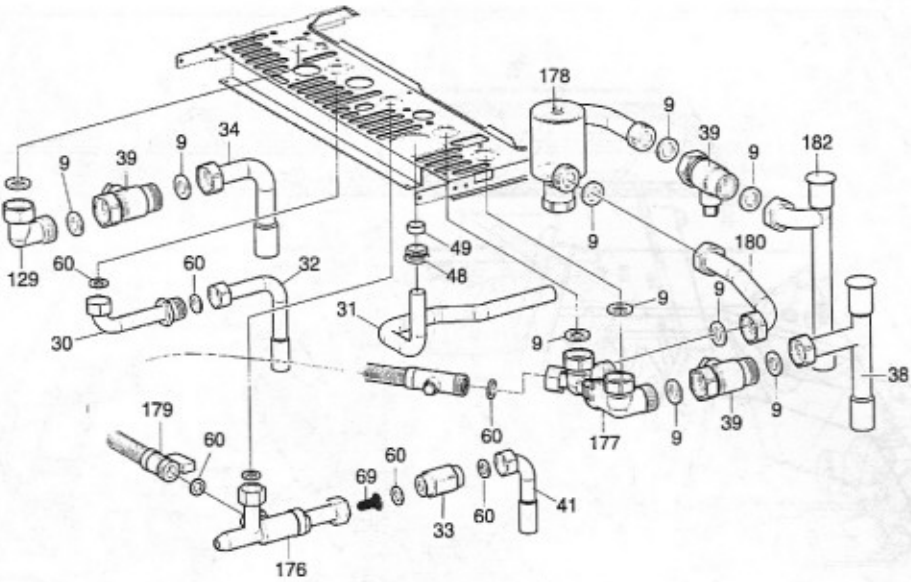
# CB24/28/24X/28X - Boiler exploded view



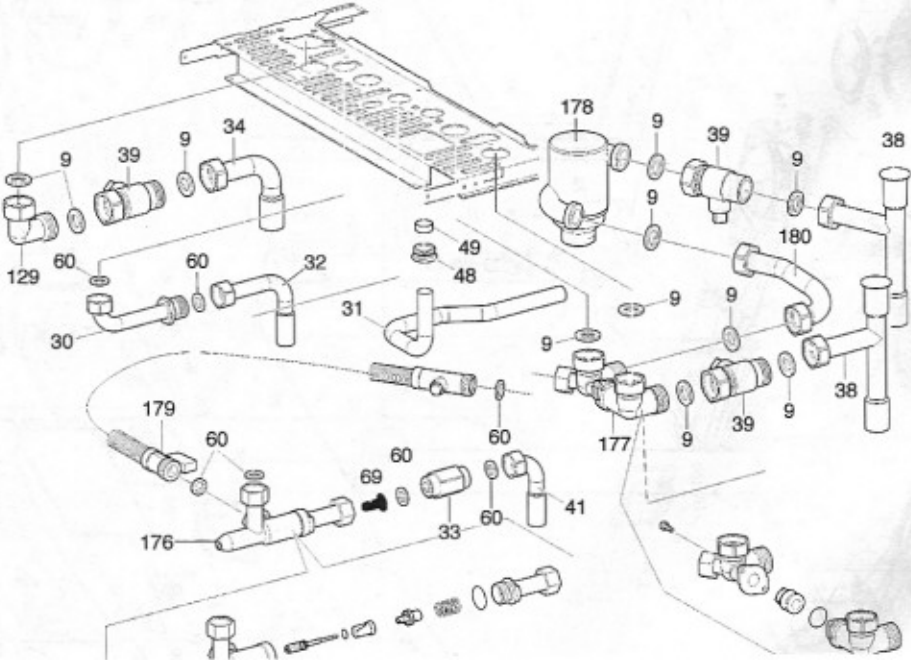
# SY24 - Boiler exploded view



**CB24/28 - Connection pipework upto Serial No. B10500001**

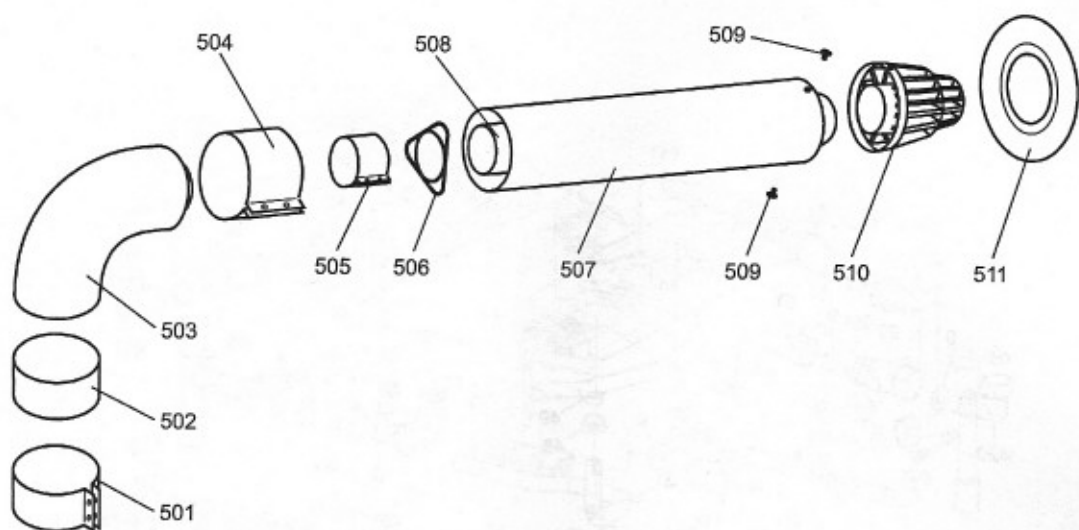


**CB24/28 - Connection pipework after Serial No. B10500001**





# CB24/28, CB24X/28X, SY24 - Flue components





Ref No.	Alpha CB24	Alpha CB24X	Alpha CB28	Alpha CB28X	Alpha SY24	Description
1	3.013390	3.013390	3.013390	3.013390	3.013390	Gasket 80 D. (part of seal kit)
2	1.010371	1.010371	1.010371	1.010371	1.010371	Heat exchanger tube fixing clip
3	1.010430	1.010430	1.010430	1.010430	1.010430	Caps for sample points
4	1.010500	1.010500	1.010500	1.010500	1.010500	Silicone pipe clamp
5	1.010645	1.010645	1.010645	1.010645	1.010645	Flame sensing electrode
6	1.010771	1.010771	1.010771	1.010771	1.010771	Automatic air vent
7	3.013387	3.013387	3.013387	3.013387	3.013387	'O' ring seal 17.86 x 2.62 (part of seal kit)
8	3.013390	3.013390	3.013390	3.013390	3.013390	Fan seal 60 D. (part of seal kit)
9	3.013388	3.013388	3.013388	3.013388	3.013388	Washer 24 x 16 x 2 (part of seal kit)
10	1.015970	1.015970	1.015970	1.015970	1.015970	Temperature sensor (NTC)
11	3.013392	3.013392	3.013392	3.013392	3.013392	Washer (NTC) (part of seal kit)
12	3.013838	3.013838	3.013839	3.013839	3.013838	Rear insulation panel (part of set)
13	3.013838	3.013838	3.013839	3.013839	3.013838	Side insulation panel (part of set)
14	3.013390	3.013390	3.013390	3.013390	3.013390	Flange washer (part of seal kit)
15	1.2363	1.2363	1.2363	1.2363	1.2363	Silicone tube
16	-	1.013751	-	1.013751	1.013751	Cap for control panel screw
17	1.017496	1.017496	1.017496	1.017496	1.017496	Primary pressure switch
18	1.014805	1.014805	1.015389	1.015389	1.014805	Primary heat exchanger
19	3.013387	3.013387	3.013387	3.013387	3.013387	Washer 30 x 22 x 2 (part of seal kit)
20	3.013392	3.013392	3.013392	3.013392	3.013392	'O' ring (AAV) 25 D. (part of seal kit)
21	1.015368	1.015368	1.015370	1.015370	1.015368	Burner assembly
22	1.4270	1.4270	1.4270	1.4270	1.4270	Main injector 1.30 mm (NG)
22	1.015371	1.015371	1.015372	1.015372	1.015371	Injector manifold (NG)
22	1.016384	1.016384	1.016385	1.016385	1.016384	Injector manifold (LPG)
23	1.015394	1.015394	1.015394	1.015394	1.015394	Expansion vessel 8 litres
24	1.015395	1.015395	1.015395	1.015395	1.015395	8 D. pipe for expansion vessel
25	1.015396	1.015396	1.015396	1.015396	1.015396	18 D. pipe pump to RS chamber
26	1.015397	1.015397	1.015397	1.015397	-	18 D. pipe RS chamber to diverter valve
27	1.015407	1.015407	1.015407	1.015407	1.015407	Plastic plate with 'Alpha' brand
28	1.015408	1.015408	1.015408	1.015408	1.015408	18 D. pipe gas valve to manifold
29	-	1.015412	-	1.015412	-	14 D. cold water inlet pipe
30	1.015413	1.015413	1.015413	1.015413	-	14 D. hot water outlet pipe
31	1.015415	1.015415	1.015415	1.015415	1.015415	15 D. pressure relief valve discharge pipe
32	1.016672	1.016672	1.016672	1.016672	-	14 D. hot water outlet connection pipe
33	1.015421	1.015421	1.015421	1.015421	-	½ in cold water inlet valve
34	1.016673	1.016673	1.016673	1.016673	1.016673	18 D. gas connection pipe
35	1.015423	1.015423	1.015423	1.015423	1.015423	Wall plugs and screws
36	1.015444	1.015444	1.015444	1.015444	1.015444	18 D. return RS chamber to H/exchanger
37	1.015445	1.015445	1.015445	1.015445	1.015445	18 D. flow H/exchanger to RS chamber
38	1.016674	1.016674	1.016674	1.016674	1.016674	18 D. heating flow pipe connection
39	1.015491	1.015491	1.015491	1.015491	1.015491	¾ in valve
40	1.015610	1.015610	1.015610	1.015610	1.015610	15-60 pump
41	1.016671	1.016671	1.016671	1.016671	-	14 D. cold water inlet pipe connection
42	-	1.015625	-	1.015625	-	18 D. boiler heating flow/return pipe
43	1.015629	1.015629	1.015629	1.015629	1.015629	Plastic bottom tray
44	1.015630	1.015630	1.016221	1.016221	1.015630	Flue connection flange
45	1.015637	1.015637	1.015637	1.015637	1.015637	Silicone pipe connector
46	1.015673	1.015673	1.015673	1.015673	1.015673	Overheat thermostat
47	1.017264	1.017264	1.017264	1.017264	1.017264	Fan
48	1.016152	1.016152	1.016152	1.016152	1.016152	Nut for 15 D. pipe
49	1.016153	1.016153	1.016153	1.016153	1.016153	Olive for 15 D. pipe

Ref No.	Alpha CB24	Alpha CB24X	Alpha CB28	Alpha CB28X	Alpha SY24	Description
50	3.013838	3.013838	3.013889	3.013889	3.013838	Front insulation panel (part of set)
51	1.5244	1.5244	1.5244	1.5244	1.5244	RS chamber fixing screws
52	1.013154	1.013154	1.013154	1.013154	1.013154	RS chamber seal
53	3.013391	3.013391	3.013391	3.013391	3.013391	Washer 11.4 x 6 x 2 (part of seal kit)
54	3.013387	3.013387	3.013387	3.013387	-	Washer 28 x 21 x 2 (part of seal kit)
55	3.013392	3.013392	3.013392	3.013392	3.013392	Washer 14.8 x 8 x 2 (part of seal kit)
56	1.1260	1.1260	1.1260	1.1260	1.1260	Shortened brass nut - ¾
57	1.1269	1.1269	1.1269	1.1269	-	Shortened brass nut - ½
58	3.013391	3.013391	3.013391	3.013391	3.013391	Washer 34 x 27 x 2 (part of seal kit)
59	3.013392	3.013392	3.013392	3.013392	3.013392	'O' ring seal 17.86 x 2.62 (part of seal kit)
60	3.013387	3.013387	3.013387	3.013387	-	Washer 18 x 10 x 2 (part of seal kit)
61	1.1378	1.1378	1.1378	1.1378	1.1378	Double clip for screw
62	1.2337	1.2337	1.2337	1.2337	1.2337	Control panel fixing screw
63	1.2405	1.2405	1.2405	1.2405	1.2405	Ignition electrode - Left
64	1.2408	1.2408	1.2408	1.2408	1.2408	Ignition electrode - Right
65	1.5780	1.5780	1.5780	1.5780	1.5780	Grommet - Electrode lead
66	1.6600	1.6600	1.6600	1.6600	1.6600	Grommet - Primary pipes
67	3.013390	3.013390	3.013390	3.013390	3.013390	'O' ring seal 10.77 x 2.62 (part of seal kit)
68	1.8396	1.8396	1.8396	1.8396	1.8396	Air pressure switch
69	1.8403	1.8403	1.8403	1.8403	-	Filter
70	2.010055	2.010055	2.010055	2.010055	2.010055	80 D. cover plate
71	2.010662	2.010662	2.011154	2.011154	2.010662	Draught diverter rear panel
73	2.010776	2.010776	2.010776	2.010776	2.010776	Air pressure switch support bracket
74	2.011622	2.011622	2.011622	2.011622	2.011622	Expansion vessel fixing plate
75	2.010989	2.010989	2.010989	2.010989	2.010989	Plate for control panel
76	2.011538	2.011538	2.011538	2.011538	2.011538	RS chamber top panel
77	2.011143	2.011143	2.011143	2.011143	2.011143	Air distribution top panel
78	2.011183	2.011183	2.011183	2.011183	2.011183	RS chamber bottom panel
79	2.011151	2.011151	2.011151	2.011151	2.011151	Combustion chamber side panel
80	2.011165	2.011165	2.011153	2.011153	2.011165	Combustion chamber front panel
81	2.011186	2.011186	2.011152	2.011152	2.011186	Combustion chamber rear panel
82	2.011192	2.011192	2.011155	2.011155	2.011192	Draught diverter internal baffle plate
83	2.011195	2.011195	2.011195	2.011195	2.011195	Left support plate
84	2.011196	2.011196	2.011196	2.011196	2.011196	Right support plate
85	2.011351	2.011351	2.011351	2.011351	2.011351	Case front panel, upto Serial No. B12700001
85	2.011732	2.011732	2.011732	2.011732	2.011732	Case front panel, from Serial No. B12700001
86	2.011352	2.011352	2.011352	2.011352	2.011352	Case r/h side panel, upto Serial No. B12700001
86	2.011733	2.011733	2.011733	2.011733	2.011733	Case r/h side panel, from Serial No. B12700001
87	2.011353	2.011353	2.011353	2.011353	2.011353	Case l/h side panel, upto Serial No. B12700001
87	2.011734	2.011734	2.011734	2.011734	2.011734	Case l/h side panel, from Serial No. B12700001
88	2.011389	2.011389	2.011390	2.011390	2.011389	Air inlet restrictor
89	3.012671	3.012671	3.012671	3.012671	3.012671	RS chamber cover assembly
90	3.012705	3.012705	3.012705	3.012705	3.012705	Glass with grommet
91	2.011621	2.011621	2.011621	2.011621	2.011621	Upper frame support
92	1.016206	1.016206	1.016206	1.016206	1.016206	Plastic clip for fixing 22 D. pipe
93	1.016207	1.016207	1.016207	1.016207	-	Plastic clip for fixing 15 D. pipe
94	3.013777	3.013776	3.013779	3.013633	3.013778	Control panel assembly
95	1.010365	1.010365	1.010365	1.010365	1.010365	Glass for LED
96	1.011968	1.011968	1.011968	1.011968	1.011968	Cap for PCB access hole
97	1.013340	1.013340	1.013340	1.013340	1.013340	DHW/CH control knob
98	1.014054	1.014054	1.014054	1.014054	1.014054	Selector switch knob



Ref No.	Alpha CB24	Alpha CB24X	Alpha CB28	Alpha CB28X	Alpha SY24	Description
99	1.010924	1.010924	1.010924	1.010924	1.010924	Gas valve plug
100	3.013211	3.013211	3.013211	3.013211	-	DHW flow switch
103	1.5759	1.5759	1.5759	1.5759	1.5759	Fan cable grommet
104	1.6406	1.6406	1.6406	1.6406	1.6406	Air pressure switch cable grommet
105	1.015424	1.015402	1.016172	1.016979	1.015431	Control panel housing
106	1.015403	1.015403	1.015403	1.015403	1.015403	Control panel rear cover
107	1.015404	1.015404	1.015404	1.015404	1.015404	Main terminal block cover
108	1.017118	1.017118	1.017118	1.017118	1.017118	PCB
109	1.015406	1.015406	1.015406	1.015406	1.015406	Clock connection rear cover
110	1.015621	1.015621	1.015621	1.015621	1.015621	Terminal block ID card
111	1.015753	1.015753	1.015753	1.015753	1.015753	Clock blank
112	1.016151	1.016151	1.016151	1.016151	1.016151	Pressure gauge
113	1.4005	1.4005	1.4005	1.4005	1.4005	Main terminal block with fuse holder
114	1.4072	1.4072	1.4072	1.4072	1.4072	Clamp
116	1.6098	1.6098	1.6098	1.6098	1.6098	Fuse - 5 x 20 2.5A 250V
119	1.015631	1.015631	1.015631	1.015631	1.015631	Wall template
120	2.011146	2.011146	2.011146	2.011146	2.011146	Wall mounting bracket
121	1.012247	1.012247	1.012247	1.012247	1.012247	Draught diverter to fan seal
122	1.013716	1.013716	1.011749	1.011749	1.013716	M8 x 0.5 nut for pressure tube
123	1.015073	1.015073	1.015446	1.015446	1.015073	Fitting for pressure tube
124	2.011157	2.011157	2.011158	2.011158	2.011157	H/exchanger right baffle plate
125	3.012805	3.012805	3.012786	3.012786	3.012805	Draught diverter housing
126	3.012844	3.012844	3.011828	3.011828	3.011844	Draught diverter diaphragm assembly
127	1.010265	1.010265	1.010265	1.010265	1.010265	Screw M3 x 25 - gas valve plug
128	1.015803	1.015803	1.015803	1.015803	1.015803	Gas valve - VK4105
129	3.013115	3.013115	3.013115	3.013115	3.013115	Pipe - gas valve to ISO valve
130	-	1.011128	-	1.011128	-	Flow regulator - 10 litres
131	3.013389	3.013389	3.013389	3.013389	-	'O' ring seal 15 x 2.62 (part of seal kit)
132	1.015442	1.015442	1.015442	1.015442	-	18 D. pipe - diverter valve heating flow
133	1.015632	1.015632	1.015632	1.015632	-	18 D. pipe DHW H/Ex to diverter valve
134	1.015633	1.015633	1.015633	1.015633	-	Fitting - inlet manifold to diverter valve
135	1.015649	1.015648	1.015649	1.015648	-	14 D. pipe - hot water outlet DHW H/Ex
136	1.015957	1.015957	1.015958	1.015958	-	DHW heat exchanger
137	3.012752	3.012752	3.012752	3.012752	-	Diverter valve assembly
138	3.013768	3.013768	3.013768	3.013768	3.012803	Inlet manifold assembly
139	1.011126	1.011126	1.011126	1.011126	1.011126	3 bar pressure relief valve with seal
140	1.016169	1.016169	1.016169	1.016169	1.016169	Pressure relief valve retaining screw
141	3.013391	3.013391	3.013391	3.013391	-	Diverter/DHW flow valve parts kit (part of seal kit)
142	3.013389	3.013389	3.013389	3.013389	-	DHW flow valve diaphragm
160	3.013212	3.013212	3.013212	3.013212	3.013212	Ignition electrode lead kit
161	3.013213	3.013213	3.013213	3.013213	3.013213	Flame sensing electrode lead kit
165	1.1176	1.1176	1.1176	1.1176	1.1176	Screw M5 x 8
166	1.4246	1.4246	1.4246	1.4246	1.4246	Ring M4
167	1.7030	1.7030	1.7030	1.7030	1.7030	Swageform screw M4 x 10
168	1.4359	1.4359	1.4359	1.4359	1.4359	Swageform screw M4 x 6
169	1.4557	1.4557	1.4557	1.4557	1.4557	Self-threading screw 4.2 x 9.5
171	1.016246	1.016246	1.016246	1.016246	1.016246	Self forming screw M4 x 8
174	1.012641	-	1.012641	-	-	Silicone cap - control panel cover
175	1.016041	-	1.016041	-	-	Control panel hinged cover
176	3.012800	-	3.012800	-	-	Seasonality valve assembly

Ref No.	Alpha CB24	Alpha CB24X	Alpha CB28	Alpha CB28X	Alpha SY24	Description
177	3.012801	-	3.012801	-	3.013081	By-pass assembly
178	3.013114	-	3.013114	-	-	Cyclone assembly, upto Serial No. B10500001
178	3.013371	-	3.013371	-	-	Cyclone assembly, from Serial No. B10500001
179	3.013129	3.013867	3.013129	3.013867	-	Filling loop assembly
180	1.016142	-	1.016142	-	-	Pipe cyclone/boiler, upto Serial No. B10500001
180	1.016675	-	1.016675	-	-	Pipe cyclone/boiler, from Serial No. B10500001
181	3.013392	-	3.013392	-	-	'O' ring seal 9.25 x 1.78 - DHW (NTC) (part of seal kit)
182	1.016288	-	1.016288	-	-	Heating return, upto Serial No. B10500001
182	1.016674	-	1.016674	-	-	Heating return, from Serial No. B10500001
183	-	-	1.010343	1.010343	-	Pressure tube connector
184	-	-	-	-	1.015495	18 D. pipe - RS chamber to CH flow
198	1.016497	1.016497	1.016497	1.016497	1.016497	Gas valve cap
199	1.017221	1.017221	1.017221	1.017221	1.017221	Blanking grommet 18 D. - RS chamber
200	1.017228	1.017228	1.017228	1.017228	1.017228	RS chamber silicone tube fitting
-	3.013838	3.013838	3.013839	3.013839	3.013838	Combustion chamber insulation panel set
-	3.012768	3.012761	3.012768	3.012761	3.012778	Fittings/valves pack
						FLUE COMPONENTS
501	6.5630140	6.5630140	6.5630140	6.5630140	6.5630140	Flue clamp - 100 mm D. x 40 mm
502	6.5404950	6.5404950	6.5404950	6.5404950	6.5404950	Flue clamp seal - 100 mm D. x 40 mm
503	6.1000330	6.1000330	6.1000330	6.1000330	6.1000330	Flue 90° bend/clamp/seal
504	6.5630130	6.5630130	6.5630130	6.5630130	6.5630130	Flue clamp - 100 mm D.x 70 mm
505	6.5621890	6.5621890	6.5621890	6.5621890	6.5621890	Inner flue clamp - 60 mm D. x 40 mm
506	6.5107710	6.5107710	6.5107710	6.5107710	6.5107710	Flue centralising support - 100/60 mm
507	6.5627630	6.5627630	6.5627630	6.5627630	6.5627630	Air duct outer - 100 mm D. x 750 mm
508	6.5207220	6.5207220	6.5207220	6.5207220	6.5207220	Flue duct inner - 60 mm D. x 790 mm
509	6.8100757	6.8100757	6.8100757	6.8100757	6.8100757	Flue terminal screw
510	3.013165	3.013165	3.013165	3.013165	3.013165	Flue terminal/collar/screws - 100/60 mm
511	6.1000375	6.1000375	6.1000375	6.1000375	6.1000375	Flue sealing collar (100 mm)
						SEAL KITS
-	3.013386	3.013386	3.013386	3.013386	3.013386	Water complete
-	3.013387	3.013387	3.013387	3.013387	3.013387	Heat exchangers pump
-	3.013388	3.013388	3.013388	3.013388	3.013388	Valves etc, water/gas
-	3.013390	3.013390	3.013390	3.013390	3.013390	Fan, flue etc
-	3.013391	3.013391	3.013391	3.013391	3.013391	Diverter valve assembly
-	3.013392	3.013392	3.013392	3.013392	3.013392	AAV, temp sensors p/gauge, exp vessel
-	3.013389	3.013389	3.013389	3.013389	3.013389	DHW diaphragm
-						ELECTRICAL WIRING ASSEMBLIES
-	3.013457	3.013457	3.013457	3.013457	3.013457	Cable - Elect terminal block/fuse holder
-	3.013458	3.013458	3.013458	3.013458	3.013458	Cable - Clock to terminal block
-	3.013459	3.013459	3.013459	3.013459	3.013459	Cable - Gas valve/fan/overheat stat
-	3.013460	3.013460	3.013460	3.013460	3.013460	Cable - Primary pressure switch
-	3.013461	3.013461	3.013461	3.013461	3.013461	Cable - Pump
-	3.013462	3.013463	3.013462	3.013463	3.013464	Cable - Temp sensors/air press switch

Ref No.	Alpha CB24	Alpha CB24X	Alpha CB28	Alpha CB28X	Alpha SY24	Description
						LITERATURE
-	1.017292	1.017292	1.017292	1.017292	1.016236	Installation and Servicing instructions
-	1.017291	1.017291	1.017291	1.017291	1.015429	User instructions
-	3.013261	3.013261	3.013261	3.013261	3.013262	User pack i.e. User instructions, guarantee
-	1.016235	1.016235	1.016235	1.016235	1.016235	Benchmark log book
-	1.016737	1.016737	1.016737	1.016737	-	Helpful hints

**Alpha**  
BOILERS

Alpha Therm Limited.  
Goldsel Road, Swanley, Kent BR8 8EX  
Tel: (01322) 669443  
Fax: (01322) 615017