

# COMPACT S

*Installation, operating  
and maintenance instructions*



*excellence in hot water*



<b>INTRODUCTION</b>	<b>1</b>
Who should read these instructions	1
Symbols	1
Applicable standards	1
Important notes	1
<b>DESCRIPTION</b>	<b>2</b>
General description	2
Packing	3
<b>TECHNICAL CHARACTERISTICS</b>	<b>4</b>
Dimensions	4
General characteristics	4
<b>INSTALLATION</b>	<b>5</b>
Boiler room	5
Heating connections	6
Wiring diagram	7
Preparing the boiler and Mounting the casing cover	8
Mounting the burner	8
Commissioning	8
<b>SERVICING</b>	<b>9</b>
Servicing the boiler	9
<b>SERVICE RECORD</b>	<b>10</b>
Details of the installation	10
Service engineer's report	10

**WHO SHOULD READ THESE INSTRUCTIONS**

These instructions should be read by:

- specifying engineers
- installers
- users
- service engineers

**SYMBOLS**

The following symbols are used in these instructions:



**Essential instruction for the correct operation of the equipment.**



**Essential instruction for the safety of persons and the environment.**



**Electric shock hazard.**



**Burning hazard.**

**APPLICABLE STANDARDS**

The products are "CE" approved, according to the standards in force in the various countries (European Directives 92/42/CEE "Efficiency", 90/396/CEE "Gas appliances").



**IMPORTANT NOTES**

These instructions are an integral part of the equipment to which they relate and must be handed to the user.

The product must be installed and serviced by qualified engineers in accordance with current standards in force.

ACV declines all liability for any damage caused as a result of incorrect installation or in the event of the use of appliances or accessories that are not specified by ACV.



**Failure to follow the instructions describing the tests and procedures may cause injury to persons or a risk of environmental pollution.**

*N.B.:*

*ACV reserves the right to change the technical characteristics and specification of its products without prior notice.*

# DESCRIPTIONS

## GENERAL DESCRIPTION

### Boiler body

The boiler is made from ST 37/2 heavy gauge steel sheets according to NBN D 06001 and DIN 4702 Teil 1 with a water-cooled combustion chamber.

Pressurised fire-tube boiler with removable baffles The boiler body is hydraulically tested in the factory (*Max. service pressure = 5 bar*).

### Burner chamber plate

The very solid burner chamber plate opens to the left or right and is insulated by a ceramic fibre stone placed on a bed of rock wool. The chamber plate seal is by means of a ceramic fibre cord and four M12 screw fastening.

### Flue gas case

The flue gas case is removable and made from steel 3mm thick. It is secured with 6 M10 nuts. The flue gas case includes a cleaning window at the bottom, 150mm in diameter.

### Casing

The lining is all steel. It was scoured and phosphated before painting. The casing is stove enamelled at 200°C, providing a guarantee of both long life and a high-quality finish. Epoxy-polyester protection

### Insulation

The COMPACT S boiler is doubly insulated:

- A coating on the boiler body using a rock wool bedding 100mm thick.
- A coating on the casing panels using 25mm thick rock wool bedding with aluminium coating.

### Safety

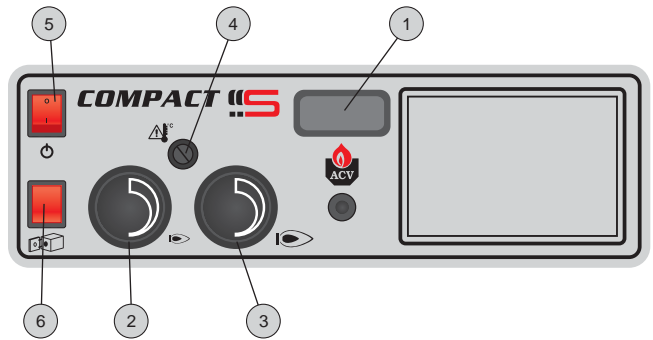
- The COMPACT S boiler includes a safety mode device in the event the chamber plate is not closed.
- A manual reset high-limit thermostat is triggered every time the boiler overheats above a temperature of 103°C.

## Packing

The boiler is supplied on a wooden base with the casing, insulation and control panel unit in a wooden crate.

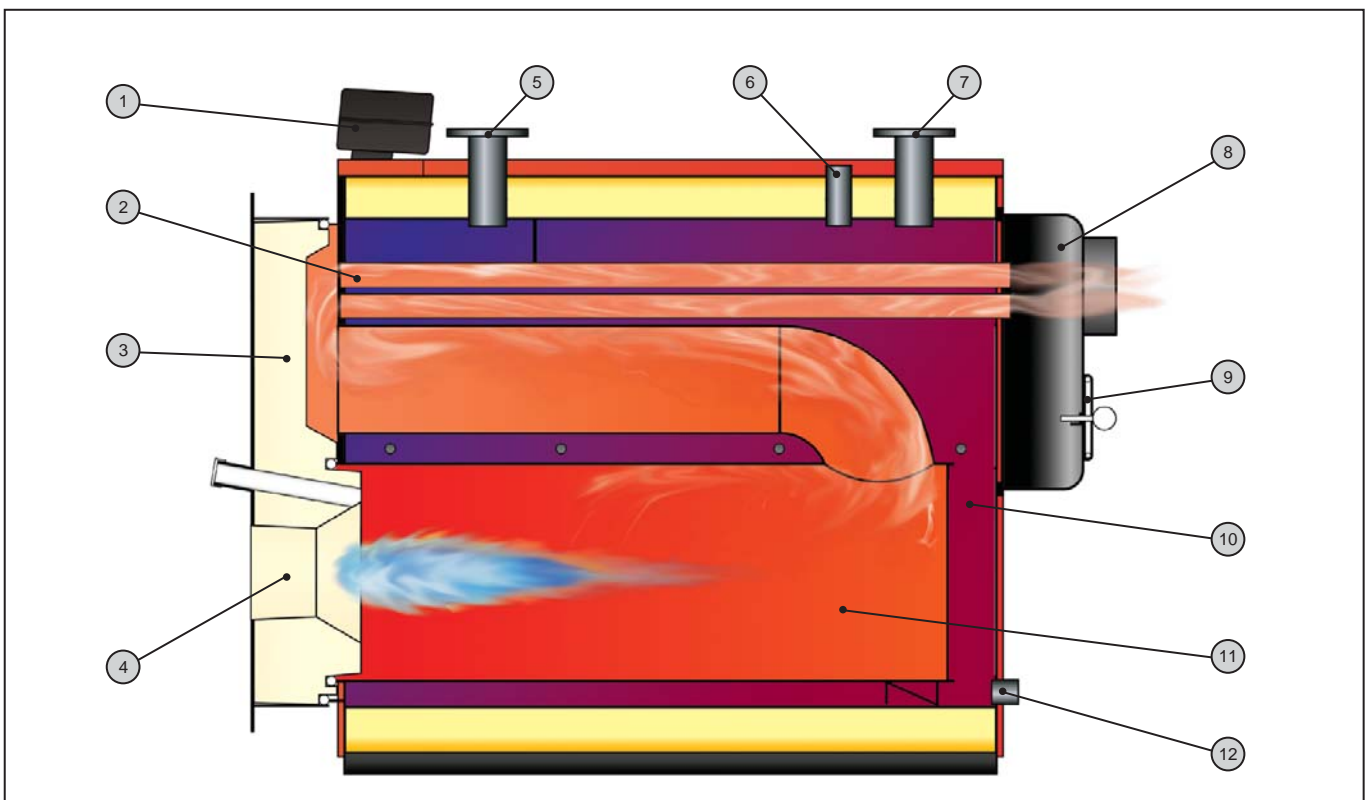
## Basic settings

1. Thermometer
2. First firing control thermostats
3. Second firing control thermostats
4. Manual reset high limit thermostat
5. Main switch
6. Door safety indicator light



## Operating diagram key

1. Control panel
2. Evaporation of condensation at start-up
3. Door double insulation
4. Burner
5. Heat return at low temperature
6. Safety valve connection
7. Heating outlet
8. Flue gas case
9. Cleaning window
10. Heating circuit
11. Combustion chamber
12. Drain



**PACKING**

The boiler comes in two packages.

- Package 1: the boiler body on a wooden pallet
- Package 2: metal casings in a cardboard box

In the boiler combustion chamber, you will find:

- The control panel in its wrapping.
- The standard accessories

**Breakdown of the accessories**

**COMPACT S 180 - 230:**

- Ceramic fibre insulation cord
- Propylene spool
- Lock loop
- Cleaning brush
- Brush handle
- Brush handle extension
- DN 65 companion flanges
- Seal — fastenings - bolts
- 40mm thick rock wool

**COMPACT S 290 - 350 - 410:**

- Ceramic fibre insulation cord
- Propylene spool
- Lock loop
- Cleaning brush
- Brush handle
- Brush handle extension
- DN 80 companion flanges
- Seal — fastenings - bolts
- 40mm thick rock wool

**COMPACT S 470 - 520 - 580 - 640:**

- Ceramic fibre insulation cord
- Propylene spool
- Lock loop
- Cleaning brush
- Brush handle
- Brush handle extension
- DN 100 companion flanges
- Seal — fastenings - bolts
- 40mm thick rock wool

**Contents of package 2**

- Front right and left side panels
- Rear right and left side panels
- Upper right and left side panels

**Package 1**



**Package 2**



**Breakdown of the accessories**

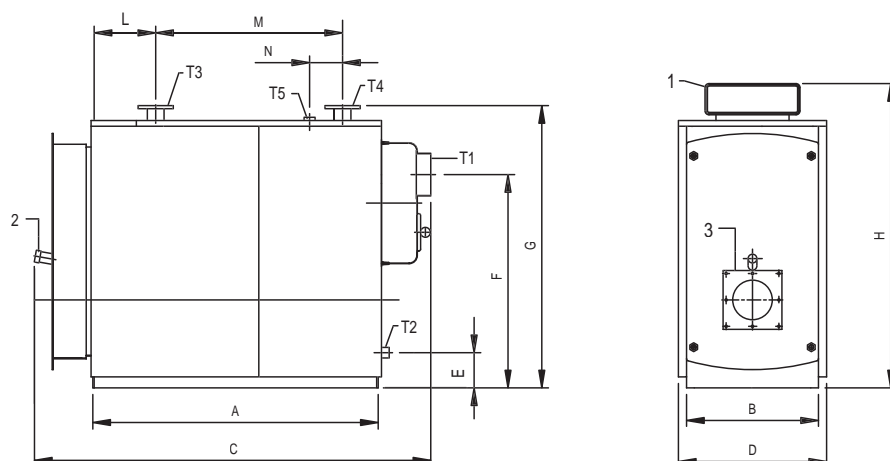


# TECHNICAL CHARACTERISTICS

## DIMENSIONS

### Key

- T1: Ø flue gas outlet
- T2: Ø boiler drain
- T3: Ø return
- T4: Ø outlet
- T5: sleeve / clamp for safety valve, if applicable.
- 1: Control panel
- 2: Flame inspection window
- 3: Boiler clamp



Model		180	230	290	350	410	470	520	580	640
A	mm	1300	1300	1504	1504	1504	1742	1742	1742	1742
B	mm	600	600	720	720	720	780	780	780	780
C	mm	1870	1870	2135	2135	2135	2395	2395	2395	2395
D	mm	672	672	792	792	792	852	852	852	852
E	mm	160	160	160	160	160	190	190	190	190
F	mm	960	960	1200	1200	1200	1365	1365	1365	1365
G	mm	1295	1295	1540	1540	1540	1700	1700	1700	1700
H	mm	1390	1390	1600	1600	1600	1770	1770	1770	1770
L	mm	280	280	440	440	440	440	440	440	440
M	mm	850	850	830	830	830	1050	1050	1050	1050
N	mm	150	150	250	250	320	320	320	320	320
T1	Ø	200	200	200	200	200	250	250	250	250
T2	DN	1"1/4	1"1/4	1"1/4	1"1/4	1"1/4	1"1/4	1"1/4	1"1/4	1"1/4
T3-T4	DN	65	65	80	80	80	100	100	100	100
T5	DN	1"1/4	1"1/4	50	50	50	65	65	65	65

## GENERAL CHARACTERISTICS

Model		180	230	290	350	410	470	520	580	640
Output	kW	176.5	235.8	294.7	354.4	412.9	471.9	531.9	588.5	648.7
Input	kW	190.2	255.7	318.2	384.0	448.3	509.8	575.6	639.7	707.4
Efficiency at rated load	%	92.8	92.2	92.6	92.3	92.1	92.5	92.4	92.0	91.7
Heat efficiency at 30% reduced load	%	88.5	88.6	88.7	88.9	89.2	89.3	89.4	89.5	89.6
Combustion efficiency	%	94.3	93.6	94.0	93.6	93.4	93.8	93.6	93.1	92.7
Maintenance losses	%	1.5	1.4	1.4	1.35	1.3	1.3	1.2	1.15	1.05
Losses by chimney when in operation	%	5.7	6.4	6.0	6.35	6.6	6.2	6.4	6.85	7.25
Losses by chimney when off	%	0.1	0.1	0.1	0.1	0.1	0.1	0.1	0.1	0.1
Percentage of CO <sub>2</sub> (note 1)	%	13.0	13.0	13.0	12.5	12.6	12.5	12.6	12.7	13.0
Flue gas temperature (note 1)	°C	185	188	190	193	195	190	193	195	198
Combustion chamber pressure	daPa	9	13	18	23	26	27	29	32	36
Boiler water content	l	290	290	456	456	456	681	681	681	681
Unladen weight	Kg	590	620	925	950	990	1130	1150	1170	1190

## BOILER ROOM

### Boiler positioning and installation

Comply with local standards in force (in Belgium: "Belgique NBN B 61-001") for all special characteristics, relative to the dimensions, fire resistance of the panels, steel chamber plates, chimneys and upper- and lower-level ventilations.

The following formula is used to calculate the flue ways section:

$$S = 0.0065 Q_c / \square H$$

S expressed in cm<sup>2</sup> / Q<sub>c</sub> = Kcal/h; H = m. For the special metal flue ways, we recommend that you consult the chimney manufacturer for each specific case.

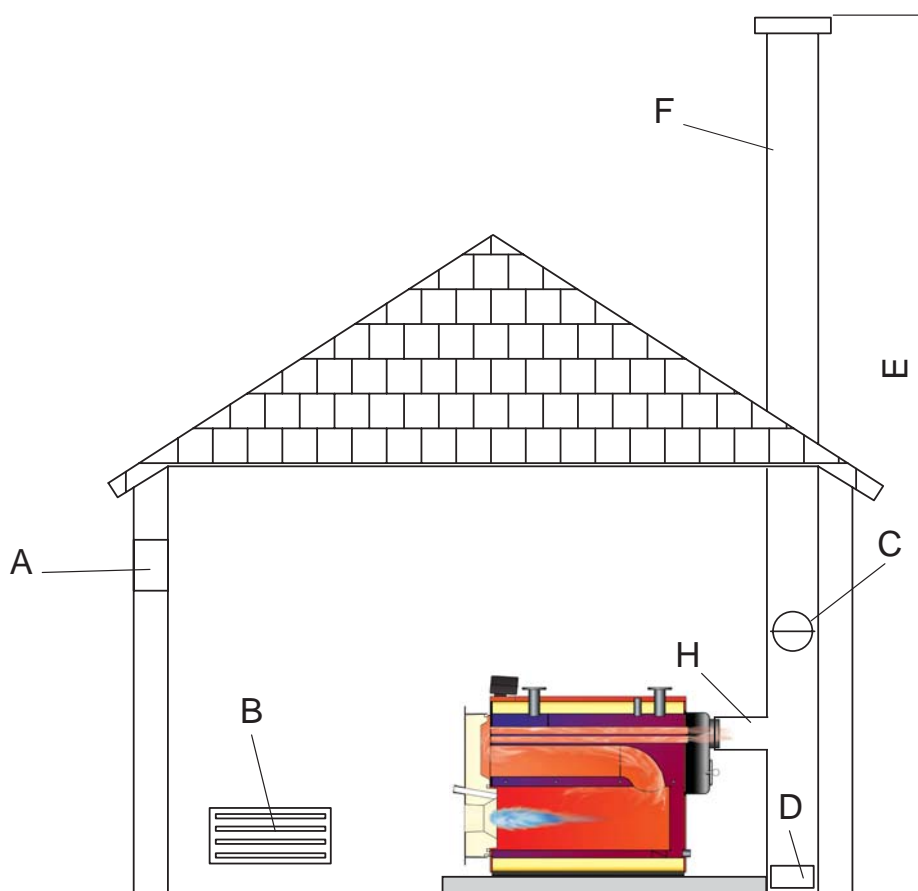
To facilitate cleaning the flue gas circuits during servicing, make sure you leave a space in front of your **COMPACT S** that is longer than the length of the boiler itself and ensure that the burner chamber plate can open easily when assembled.

Your **COMPACT S** must be placed on a concrete base, approximately 20 - 30cm high, to ensure the correct burner position and to protect it from dampness.

To reduce vibrations and noises, make sure the boiler is placed on the level and that it is stable.

At this point, connect the boiler to the electrical supply and install the flue gas chimney, in accordance with current standards in force.

- A. High-level ventilation
- B. Low-level ventilation
- C. Draught stabiliser
- D. Flame inspection window
- E. Chimney height
- F. Chimney diameter
- H. Connection nozzle



Model		180	230	290	350	410	470	520	580	640
Minimum fresh air supply	m <sup>3</sup> /h	343	460	573	690	807	918	1036	1151	2122
High-level ventilation	dm <sup>2</sup>	3	3	3	3	3	3	3	4	4
Low-level ventilation	dm <sup>2</sup>	5.7	7.7	9.6	11.5	13.5	15.3	17.3	19.2	21.2

### Ø of the chimney pipe:

Height 5m	mm	317	366	410	449	485	518	550	579	608
Height 10m	mm	267	308	344	378	408	436	463	487	511
Height 15m	mm	241	278	311	341	368	394	418	440	462
Height 20m	mm	224	259	290	317	343	367	389	409	430

# INSTALLATION

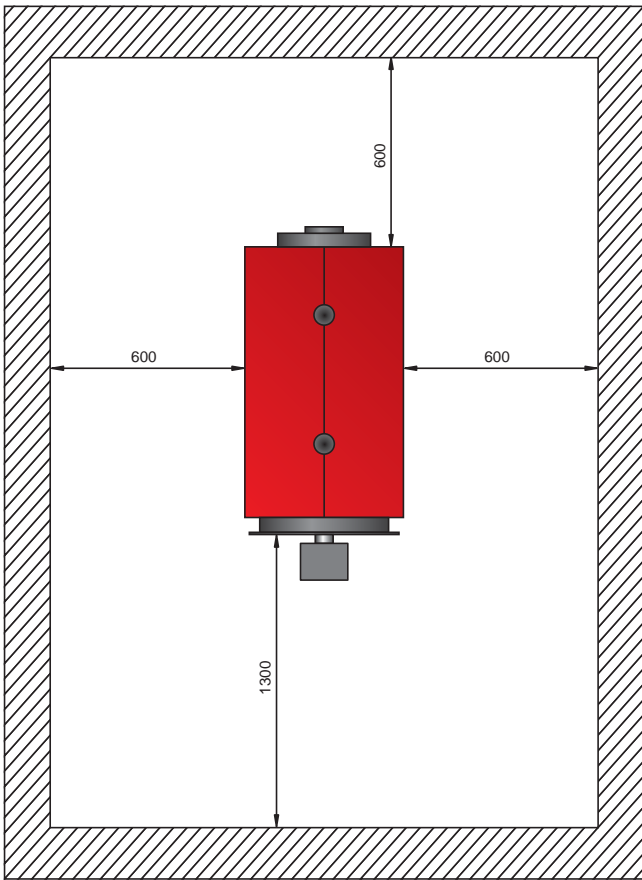
## Minimum boiler positioning clearances

### Minimum boiler room dimension:

- Minimum height: 2.5 m
- Minimum area: 6.0 m<sup>2</sup>
- Distance between the walls and the boiler: 600 mm
- Distance between the walls and the burner: 1300 mm
- Distance between the boiler and the ceiling: 1000 mm
- Fire resistance of the structures: 120 minutes



Before installing, check the local regulations in force in your country.



## HEATING CONNECTION



**Beware!**

Each boiler must be fitted with a safety valve, calibrated to a maximum pressure of 5 bar. Fit the safety valve to the top point of the boiler. You must make sure that no setting or insulation parts will allow it to be disabled (See page 4).

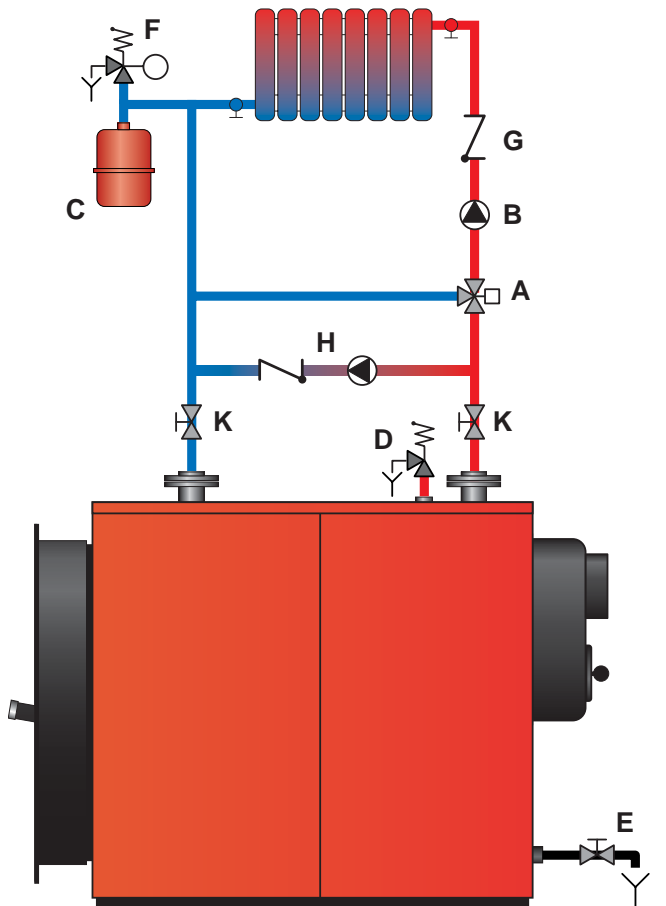
It is vital that the **COMPACT S** boiler is equipped with a primary "H" circulation loop:

- to avoid localised overheating in the combustion chamber;
- to mix part of the outlet fluid with the return fluid (increase in the return temperature);

### Important note:

- The installer must place the minimum-temperature thermostat on the boiler body. This will cut the power to the heating pump when the return temperature is too low.
- The installer must also connect the primary pump.

- A. Mixing control valve
- B. Pump
- C. Expansion vessel
- D. Safety valve
- E. Drain cock
- F. Pressure gauge
- G. Non-return valve
- H. Recirculation loop with pump and non-return valve
- K. Isolating valve





**ELECTRICAL WIRING DIAGRAM**



It is compulsory to install an electrical control box outside your COMPACT S with a main switch and 6A fuses. Before carrying out any work on the equipment, it is vital to switch off the electrical power from this box.

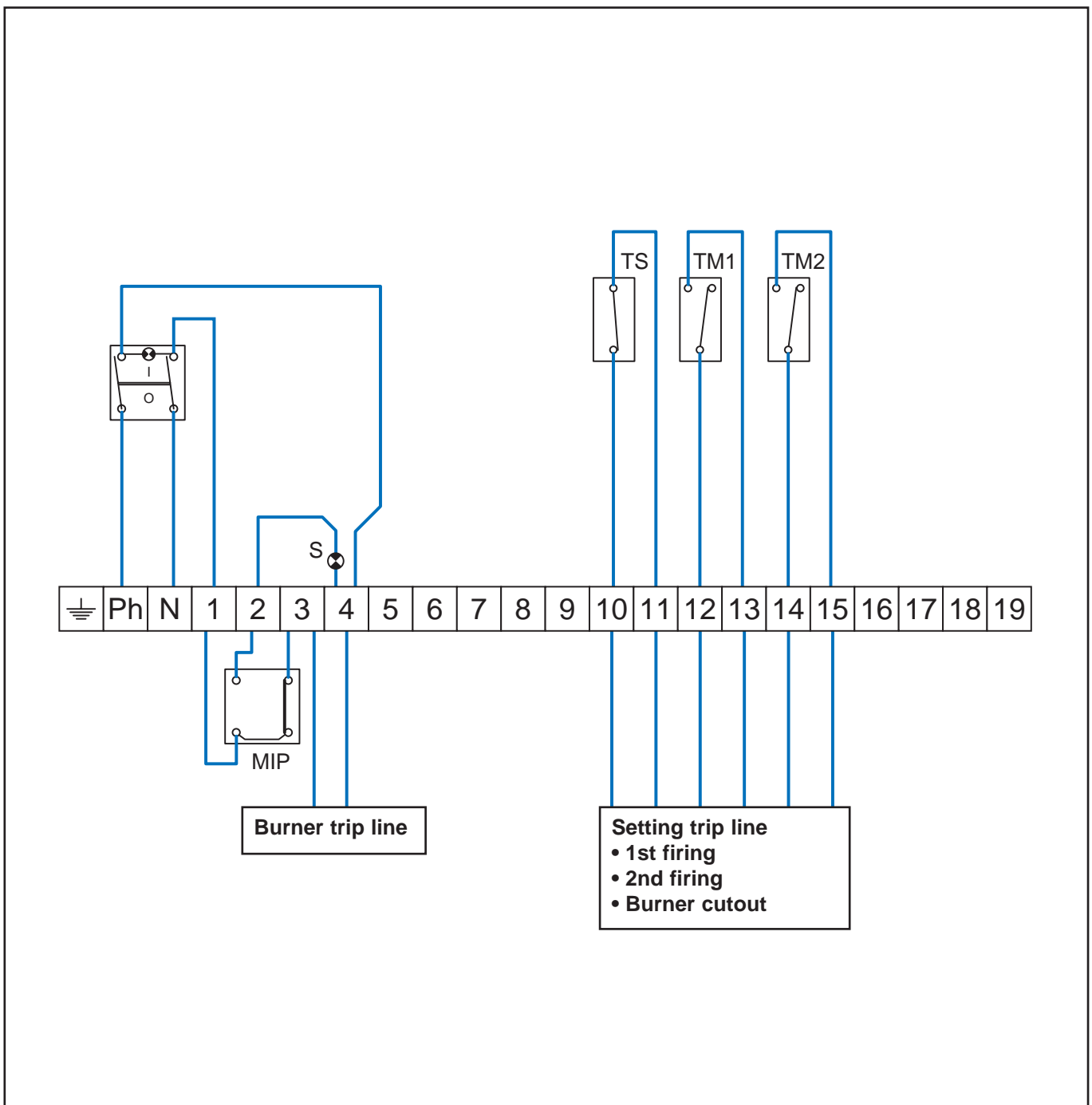
The connection of the chamber plate safety switch is payable by the customer.



**N.B.:**  
To wire the burner, please refer to the burner instructions, supplied with the boiler only when supplying a thermal unit.

**Key to the boiler's electrical wiring**

- IG. Main switch
- MIP. Chamber plate safety dip switch
- S. Door closed indicator light
- TS. High-limit thermostat
- TM1. First firing thermostat
- TM2. Second firing thermostat



# INSTALLATION

## PREPARING THE BOILER AND MOUNTING THE CASING

Please refer to the assembly instructions supplied with the casing.

## MOUNTING THE BURNER

Only a qualified technician may mount the burner, in compliance with current standards in force.

When installing the burner, we recommend you:

- secure the burner plate using all the nuts provided to guarantee the seal;
- guarantee a minimum burner penetration in the combustion chamber, according to the indications in the table below;
- check that the burner gas tube is sized according to the gas supply pressure;
- check that the burner can exceed the boiler combustion chamber pressure;
- insert the fiberglass cord supplied into the empty space between the boiler combustion head and the chamber plate insulating panel (if the quality is not sufficient — this depends on the Ø of the burner head — use more cord to fill the space up to the inside surface of the chamber plate insulation) to prevent the plate from overheating from the effect of the flue gases, which could deform the chamber plate;
- adjust the flame to optimize the use of the combustion chamber without touching the bottom or the panels.

Please see the previous page for the electrical wiring diagram for the control panel

## COMMISSIONING

### Filling the system:

- Make sure that all the system valves are open except the drain cock. Place the 3- or 4-channel mixing valve to the middle position.
- Drain the system and monitor the pressure;
  - hydrostatic height ... with the expansion vessel open.
  - hydrostatic height + 0.5 bar in closed systems.

### Commissioning the burner:

- Check the burner charge relative to the boiler's output.
- Check that all the safety parts are correctly calibrated and connected: safety valve, expansion vessel and thermostats.
- Check that the pumps are functioning normally.
- Open the system's valves.
- Commissioning the burner:

### Checks:

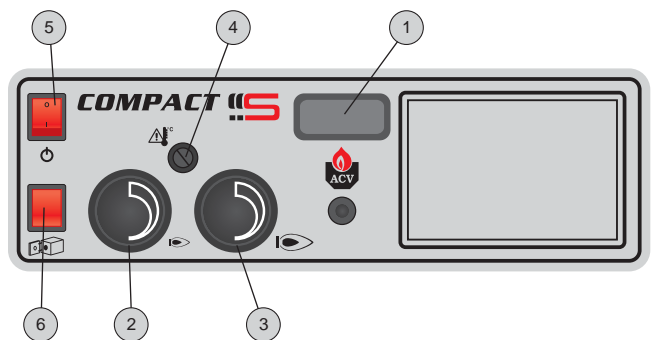
- First check the burner charge, then adjust the settings and check the combustion characteristics — flue gas T° - CO<sub>2</sub> - CO and blackening index.
- check that the settings and high-limit thermostats are operating correctly; check the low-limit thermostat and the chamber plate opening switch.
- Check that the safety valve is operating correctly (max pressure = 5 bar) by activating it manually.
- Check that the ventilation in the boiler room is adequate and check that the chimney is conform.
- Check that the return temperature is not less than 40°C, that the recirculation loop is connected and that it is operating correctly.

### Recommendations:

- If the burner shuts down, wait for a few minutes before trying to ignite it.
- Shut off the main switch before carrying out any work on the boiler.
- Quality of the heating circuit water - The quality of the water is a key factor for the lifetime of the boiler:
  - total hardness < 15°F
  - pH of 6 to 8
  - free oxygen < 0.5ppm
  - free of sludge: (*clean the system before connecting the new boiler*).Poor quality water can cause lime scale deposits and corrosion of the inside surface of the heating body
- Consult a specialist water treatment company if the heating water does not comply with the characteristics given above.
- Avoid locating boilers in poorly ventilated basement areas. The high- and low-level ventilations must comply with current regulations.
- Provide a self-regulating draught valve on the chimney.

### Thermostat settings:

- Set the slow firing rate thermostat (2) to the desired operating t°.
- Set the high firing rate thermostat (3) to a t° of 10°C lower than the slow firing speed thermostat.



## SERVICING THE BOILER

---

You should have the boiler serviced at least once a year. Regular servicing reduces consumption and extends the lifetime of your boiler.

To clean the boiler, follow the steps below:

- Disconnect the burner (trigger the main switch).
- Open the chamber plate.
- Remove the steel baffles.
- Clean the flue ways with a wire brush.
- Return the baffles.
- Clean the combustion chamber and remove any residues.
- Unscrew and remove the steel plate from the flue gas case.
- Clean the flue gas case, replace the plate and screw to tighten (check that it is properly sealed).
- Clean the burner combustion head and the ignition electrodes.
- Close the chamber plate and re-start the system.

# SERVICE RECORD

## DETAILS OF THE INSTALLATION

Installation date: _____	Flue gas T°: _____	Model: _____
% CO <sub>2</sub> (min. load): _____	Efficiency: _____	Serial number: _____
% CO <sub>2</sub> (max. load): _____	Gas pressure: _____	Heating system pressure setting: _____
<input type="checkbox"/> Gas <input type="checkbox"/> Propane		
<input type="checkbox"/> Fuel oil	Name and signature: _____	

## SERVICE ENGINEER'S REPORT

Service date: _____	Flue gas T°: _____	Comments: _____
% CO <sub>2</sub> (min. load): _____	Efficiency: _____	_____
% CO <sub>2</sub> (max. load): _____	Gas pressure: _____	_____
<input type="checkbox"/> Gas <input type="checkbox"/> Propane		
<input type="checkbox"/> Fuel oil	Name and signature: _____	

Service date: _____	Flue gas T°: _____	Comments: _____
% CO <sub>2</sub> (min. load): _____	Efficiency: _____	_____
% CO <sub>2</sub> (max. load): _____	Gas pressure: _____	_____
<input type="checkbox"/> Gas <input type="checkbox"/> Propane		
<input type="checkbox"/> Fuel oil	Name and signature: _____	

Service date: _____	Flue gas T°: _____	Comments: _____
% CO <sub>2</sub> (min. load): _____	Efficiency: _____	_____
% CO <sub>2</sub> (max. load): _____	Gas pressure: _____	_____
<input type="checkbox"/> Gas <input type="checkbox"/> Propane		
<input type="checkbox"/> Fuel oil	Name and signature: _____	

Service date: _____	Flue gas T°: _____	Comments: _____
% CO <sub>2</sub> (min. load): _____	Efficiency: _____	_____
% CO <sub>2</sub> (max. load): _____	Gas pressure: _____	_____
<input type="checkbox"/> Gas <input type="checkbox"/> Propane		
<input type="checkbox"/> Fuel oil	Name and signature: _____	

Service date: _____	Flue gas T°: _____	Comments: _____
% CO <sub>2</sub> (min. load): _____	Efficiency: _____	_____
% CO <sub>2</sub> (max. load): _____	Gas pressure: _____	_____
<input type="checkbox"/> Gas <input type="checkbox"/> Propane		
<input type="checkbox"/> Fuel oil	Name and signature: _____	

---

Service date: _____	Flue gas T°: _____	Comments: _____
% CO <sub>2</sub> (min. load): _____	Efficiency: _____	_____
% CO <sub>2</sub> (max. load): _____	Gas pressure: _____	_____
<input type="checkbox"/> Gas <input type="checkbox"/> Propane		
<input type="checkbox"/> Fuel oil	Name and signature: _____	

---

Service date: _____	Flue gas T°: _____	Comments: _____
% CO <sub>2</sub> (min. load): _____	Efficiency: _____	_____
% CO <sub>2</sub> (max. load): _____	Gas pressure: _____	_____
<input type="checkbox"/> Gas <input type="checkbox"/> Propane		
<input type="checkbox"/> Fuel oil	Name and signature: _____	

---

Service date: _____	Flue gas T°: _____	Comments: _____
% CO <sub>2</sub> (min. load): _____	Efficiency: _____	_____
% CO <sub>2</sub> (max. load): _____	Gas pressure: _____	_____
<input type="checkbox"/> Gas <input type="checkbox"/> Propane		
<input type="checkbox"/> Fuel oil	Name and signature: _____	

---

Service date: _____	Flue gas T°: _____	Comments: _____
% CO <sub>2</sub> (min. load) : _____	Efficiency: _____	_____
% CO <sub>2</sub> (max. load) : _____	Gas pressure: _____	_____
<input type="checkbox"/> Gas <input type="checkbox"/> Propane		
<input type="checkbox"/> Fuel oil	Name and signature: _____	

---

Service date: _____	Flue gas T°: _____	Comments: _____
% CO <sub>2</sub> (min. load) : _____	Efficiency: _____	_____
% CO <sub>2</sub> (max. load) : _____	Gas pressure: _____	_____
<input type="checkbox"/> Gas <input type="checkbox"/> Propane		
<input type="checkbox"/> Fuel oil	Name and signature: _____	

---

Service date: _____	Flue gas T°: _____	Comments: _____
% CO <sub>2</sub> (min. load) : _____	Efficiency: _____	_____
% CO <sub>2</sub> (max. load) : _____	Gas pressure: _____	_____
<input type="checkbox"/> Gas <input type="checkbox"/> Propane		
<input type="checkbox"/> Fuel oil	Name and signature: _____	

# SERVICE RECORD

---

Service date: _____	Flue gas T°: _____	Comments: _____
% CO <sub>2</sub> (min. load): _____	Efficiency: _____	_____
% CO <sub>2</sub> (max. load): _____	Gas pressure: _____	_____
<input type="checkbox"/> Gas <input type="checkbox"/> Propane		
<input type="checkbox"/> Fuel oil	Name and signature: _____	

---

Service date: _____	Flue gas T°: _____	Comments: _____
% CO <sub>2</sub> (min. load): _____	Efficiency: _____	_____
% CO <sub>2</sub> (max. load): _____	Gas pressure: _____	_____
<input type="checkbox"/> Gas <input type="checkbox"/> Propane		
<input type="checkbox"/> Fuel oil	Name and signature: _____	

---

Service date: _____	Flue gas T°: _____	Comments: _____
% CO <sub>2</sub> (min. load): _____	Efficiency: _____	_____
% CO <sub>2</sub> (max. load): _____	Gas pressure: _____	_____
<input type="checkbox"/> Gas <input type="checkbox"/> Propane		
<input type="checkbox"/> Fuel oil	Name and signature: _____	

---

Service date: _____	Flue gas T°: _____	Comments: _____
% CO <sub>2</sub> (min. load): _____	Efficiency: _____	_____
% CO <sub>2</sub> (max. load): _____	Gas pressure: _____	_____
<input type="checkbox"/> Gas <input type="checkbox"/> Propane		
<input type="checkbox"/> Fuel oil	Name and signature: _____	

---

Service date: _____	Flue gas T°: _____	Comments: _____
% CO <sub>2</sub> (min. load) : _____	Efficiency: _____	_____
% CO <sub>2</sub> (max. load) : _____	Gas pressure: _____	_____
<input type="checkbox"/> Gas <input type="checkbox"/> Propane		
<input type="checkbox"/> Fuel oil	Name and signature: _____	

---

Service date: _____	Flue gas T°: _____	Comments: _____
% CO <sub>2</sub> (min. load) : _____	Efficiency: _____	_____
% CO <sub>2</sub> (max. load) : _____	Gas pressure: _____	_____
<input type="checkbox"/> Gas <input type="checkbox"/> Propane		
<input type="checkbox"/> Fuel oil	Name and signature: _____	





excellence in hot water

www.acv-world.com

#### INTERNATIONAL

**ACV international n.v**  
KERKPLEIN, 39  
B-1601 RUISBROEK - BELGIUM  
TEL.: +32 2 334 82 20  
FAX: +32 2 378 16 49  
E-MAIL: international.info@acv-world.com

#### BELGIUM

**ACV BELGIUM nv/sa**  
KERKPLEIN, 39  
B-1601 RUISBROEK-BELGIUM  
TEL.: +32 2 334 82 40  
FAX: +32 2 334 82 59  
E-MAIL: belgium.info@acv-world.com

#### CHILE

**ALBIN TROTTER Y ACV LTDA**  
SAN PABLO 3800  
QUINTA NORMAL - SANTIAGO - CHILE  
TEL.: +56 2 772 01 69  
FAX: +56 2 772 92 62/63  
E-MAIL: chile.info@acv-world.com

#### CZECH REPUBLIC

**ACV CR SPOL. s.r.o**  
NA KRECKU 365  
CR-109 04 PRAHA 10 - CZECH REPUBLIC  
TEL.: +420 2 720 83 341  
FAX: +420 2 720 83 343  
E-MAIL: ceskarepublika.info@acv-world.com

#### DEUTSCHLAND

**ACV WÄRMETECHNIK GMBH & CO KG**  
GEWERBEGBIET GARTENSTRASSE  
D-08132 MÜLSEN OT ST. JACOB - DEUTSCHLAND  
TEL.: +49 37601 311 30  
FAX: +49 37601 311 31  
E-MAIL: deutschland.info@acv-world.com

#### ESPAÑA

**ACV ESPAÑA**  
C/DE LA TEIXIDORA, 76  
POL. IND. LES HORTES  
E-08302 MATARÓ - ESPAÑA  
TEL.: +34 93 759 54 51  
FAX: +34 93 759 34 98  
E-MAIL: spain.info@acv-world.com

#### ARGENTINA

**TECNO PRACTICA**  
ALFEREZ BOUCHARD 4857  
1605 CARAPACHAY - BUENOS AIRES  
TEL.: +54 11 47 65 33 35  
FAX: +54 11 47 65 43 07  
E-MAIL: jchas@tecnopractica.com

#### AUSTRALIA

**HUNT HEATING PTY LTD**  
10 GARDEN BOULEVARD  
3172 VICTORIA - AUSTRALIA  
TEL.: +61 3 9558 7077  
FAX: +61 3 9558 7027  
E-MAIL: enquiries@huntheat.com.au

#### BRAZIL

**SIMETAL INDUSTRIA E COMERCIO DE FERRAMENTAS LTDA**  
RUA GERSON ANDREIS 535  
95112 - 130 CAXIAS DO SUL - BRAZIL  
TEL.: +55 54 227 12 44  
FAX: +55 54 227 12 26  
E-MAIL: export@simetail.com.br

#### BULGARIA

**PROXIMUS ENGINEERING LTD**  
7 BIAL KREM STR.  
9010 VARNNA - BULGARIA  
TEL.: +359 52 500 070  
FAX: +359 52 301 131  
E-MAIL: info@proximus-bg.com

#### CHINA

**BEIJING HUADIAN HT POWER TECHNOLOGY DEVELOPMENT CO. LTD**  
ROOM B-912, TOWER B, COFCO PLAZA  
Nº. 8, JIANGUOMENNEI AVENUE  
BEIJING 100005 - PEOPLE'S REPUBLIC OF CHINA  
TEL.: +86 10 652 30 363/393 EXT 101  
FAX: +86 10 652 27 071  
E-MAIL: li.zheng@acv-world.com

#### SHANGHAI COOLTECH LTD

14/F E. CHINA MERCHANTS PLAZA  
Nº. 333 CHENGDU ROAD (N)  
200041 SHANGHAI - CHINA  
TEL.: +86 21 52 98 11 22 - 820  
FAX: +86 21 52 98 13 58  
E-MAIL: cooltech@cooltech.sh.cn

#### FRANCE

**ACV FRANCE sa**  
31, RUE AMPERE - Z.I MI - PLAINE  
F-69680 CHASSIEU - FRANCE  
TEL.: +33 4 72 47 07 76  
FAX: +33 4 72 47 08 72  
E-MAIL: france.info@acv-world.com

#### ITALIA

**ACV ITALIA**  
VIA PANA 92  
I-48018 FAENZA (RA) - ITALIA  
TEL.: +39 0546 64 61 44  
FAX: +39 0546 64 61 50  
E-MAIL: italia.info@acv-world.com

#### NEDERLAND

**ACV NEDERLAND bv**  
POSTBUS 350  
NL-2980 AJ RIDDERKERK - NEDERLAND  
TEL.: +31 180 42 10 55  
FAX: +31 180 41 58 02  
E-MAIL: nederland.info@acv-world.com

#### POLAND

**ACV POLSKA sp. z o.o.**  
UL. WITOSA 3  
87 - 800 WWCOWAWEK - POLAND  
TEL.: +48 54 412 56 00  
FAX: +48 54 412 56 01  
E-MAIL: polska.info@acv-world.com

#### PORTUGAL

**BOILERNOX LDA**  
RUA OUTEIRO DO POMAR  
CASAL DO CEGO, FRACÇÃO C,  
PAVILHÃO 3 - MARRAZES  
2400-402 LEIRIA - PORTUGAL  
TEL.: +351 244 837 239/40  
FAX: +351 244 823 758  
E-MAIL: boilernox@mail.telepac.pt

#### RUSSIA

**ACV RUSSIA**  
1/9, MALYI KISELNYI  
103031 MOSCOW - RUSSIA  
TEL.: +7 095 928 48 02 / +7 095 921 89 79  
FAX: +7 095 928 08 77  
E-MAIL: russia.info@acv-world.com

#### DENMARK

**VARMEHuset**  
FRICHSVEJ 40 A  
8600 SILKEBORG - DENMARK  
TEL.: +45 86 82 63 55  
FAX: +45 86 82 65 03  
E-MAIL: vh@varmehuset.dk

#### ESTONIA

**TERMOMAX AS**  
TAHE 112A  
51013 TARTU - ESTONIA  
TEL.: +372 736 73 39  
FAX: +372 736 73 44  
E-MAIL: termomax@termomax.ee

#### GREECE

**ESTIAS**  
MARASLI STREET 7  
54248 THESSALONIKI - GREECE  
TEL.: +30 23 10 31 98 77 / +30 23 10 32 03 58  
FAX: +30 23 10 31 97 22  
E-MAIL: info@genikithermanseon.gr

#### ÎLE MAURICE

**SOTRATECH**  
29, RUE MELDRUM  
BEAU BASSIN - ÎLE MAURICE  
TEL.: +230 46 76 970  
FAX: +230 46 76 971  
E-MAIL: stech@intnet.mu

#### LITHUANIA

**UAB "GILIUS IR KO"**  
SAVARNORIŲ PR. 192  
3000 KAUNAS - LITHUANIA  
TEL.: +370 37 308 930  
FAX: +370 37 308 932

#### MAROC

**CASATHERM**  
PLACE EL YASSIR  
20300 CASABLANCA - MAROC  
TEL.: +212 22 40 15 23  
FAX: +212 22 24 04 86

#### SLOVAK REPUBLIC

**ACV SLOVAKIA s.r.o.**  
PLUHOVÁ 49  
831 04 BRATISLAVA - SLOVAK REPUBLIC  
TEL.: +421 2 444 62 276  
FAX: +421 2 444 62 275  
E-MAIL: slovakia.info@acv-world.com

#### SLOVENIA

**ACV D.O.O. SLOVENIA**  
OPEKARNA 22b  
1420 TRBOVLJE - SLOVENIA  
TEL.: +386 356 32 830  
FAX: +386 356 32 831  
E-MAIL: slovenia.info@acv-world.com

#### UK

**ACV UK Ltd**  
ST. DAVID'S BUSINESS PARK  
DALGETY BAY - FIFE - KY11 9PF  
TEL.: +44 1383 82 01 00  
FAX: +44 1383 82 01 80  
E-MAIL: uk.info@acv-world.com

#### USA

**TRIANGLE TUBE PHASE III**  
FREEWAY CENTER - 1 TRIANGLE LANE  
BLACKWOOD NJ 08012 - USA  
TEL.: +1 856 228 8881  
FAX: +1 856 228 3584  
E-MAIL: sales@triangletube.com

#### MOLDAVIA

**STIMEX - PRIM S.R.L.**  
STR BUCURESTI, 60A  
2012 CHISINAU - MOLDAVIA  
TEL.: +37 32 22 46 75  
FAX: +37 32 24 56  
E-MAIL: stimex@slavik.mldnet.com

#### NEW ZEALAND

**ENERGY PRODUCTS INTERNATIONAL**  
8/10 BELFAST PLACE  
PO BOX 15058 HAMILTON - NEW ZEALAND  
TEL.: +64 7 847 27 05  
FAX: +64 7 847 42 22  
E-MAIL: pmckenzie@tycoint.com

#### ÖSTERREICH

**PROTHERM HEIZUNGSTECHNIK GmbH**  
TRAUNFERNSTRASSE 113  
4052 ANSFELDEN - ÖSTERREICH  
TEL.: +43 7229 804 82  
FAX: +43 7229 804 92  
E-MAIL: protherm@nexttra.at

#### ROMANIA

**SC TRUST EURO THERM SA**  
D.N PIATRA NEAMT - ROMAN  
km 2 C.P 5 O.P 3 jud. Neamt  
5600 PIATRA NEAMT - ROMANIA  
TEL.: +40 233 20 62 06  
FAX: +40 233 20 62 00  
E-MAIL: office@eurotherm.ro

#### TUNISIE

**SO.CO.ME CHAUMAX**  
BOÎTE POSTALE N°44  
1002 TUNIS - TUNISIE  
TEL.: +216 71 78 15 91  
FAX: +216 71 78 87 31

#### UKRAINE

**UKRTEPLOSERVICE LTD**  
PR. LAGUTENKO 14  
83086 DONETSK - UKRAINE  
TEL.: +38 062 382 60 47/48  
FAX: +38 062 335 16 89