

# BNE

## *Installation, operating and maintenance instructions*

**BNE 1 - BNE 2 - BNE 3**



*excellence in hot water*




<b>INTRODUCTION</b>	<b>2</b>	<b>BURNER CHARACTERISTICS</b>	<b>10</b>
Who should read these instructions	2	Description of the burner	10
Symbols	2	Factory setting parameters	11
Applicable standards	2	Burner dimensions	11
Important notes	2		
<b>USER GUIDE</b>	<b>2</b>	<b>COMMISSIONING AND MAINTENANCE</b>	<b>12</b>
Use of the boiler	2	Filling the hot water and heating circuits	12
Setting the burner to safety mode	3	Using the boiler for the first time	12
		Servicing recommendation	12
<b>DESCRIPTION</b>	<b>4</b>	Boiler maintenance	12
General description	4	Safety equipment maintenance	12
Operating principle	4	Draining the boiler	12
Design characteristics	4		
Boiler views and key to parts	4	<b>SPARE PARTS</b>	<b>14</b>
		Casings	14
<b>TECHNICAL CHARACTERISTICS</b>	<b>5</b>	Accessories	14
General	5	Electrical accessories	15
Operating condition limits	5		
Dimensions	5	<b>SERVICE RECORD</b>	<b>15</b>
Hot water output data	5	Details of the installation	15
General characteristics	5	Service notes	15
<b>INSTALLATION</b>	<b>6</b>		
Boiler room	6		
Chimney connections	6		
Fuel oil supply	6		
Heating connection	7		
Hot water connection	7		
Electrical connections	8		


**WHO SHOULD READ THESE INSTRUCTIONS**

These instructions should be read by:  
 - the specifying engineer  
 - the installer  
 - the user  
 - the service engineer

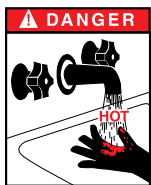
**SYMBOLS**

The following symbols are used in these instructions:

 **Essential instruction for correct operation of the installation.**

 **Essential instruction for the safety of persons and the environment.**

 **Electric shock hazard.**

 **Burning hazard.**

**APPLICABLE STANDARDS**

The products described in this document have been certified at European level (European Directive 92/42/EEC "Efficiency"). They have also been awarded the Belgian "OPTIMAZ" label (for oil-fired boilers).




**IMPORTANT NOTES**

These instructions are an integral part of the equipment to which they relate and must be handed to the user.


The product must be installed and serviced by qualified engineers in accordance with the regulations in force.

ACV declines all liability for any damage caused as a result of installation or in the event of the use of appliances or accessories that are not specified by ACV.


 **Failure to follow the instructions describing test operations and procedures may cause injury to persons or a risk of environmental pollution.**

*N.B.:*  
 ACV reserves the right to change the technical characteristics and specification of its products without notice.


**USE OF THE BOILER**

 **To ensure that your system operates correctly, please have it serviced annually, before the start of the heating season, by a qualified engineer.**

In normal operation the burner starts automatically if the temperature of the boiler is below setpoint.

 **Before carrying out any work on the boiler, isolate it from the electrical supply at the switch on the external control box. Also move the main switch on the control panel to "OFF".**

- **You should familiarise yourself with the control panel** (Fig. 1)

 **The user must not attempt to gain access to the components inside the control panel.**

**1. Main switch**

This switch is used to start or stop the boiler.

**2. Summer/Winter switch**

This is used to switch the heating pump on or off.

**3. Energy selection switch**

This is used to switch the heating pump and the burner off (or on). It is used to switch a 2.4 kW resistor on (or off) for the provision of hot water.

**4. Resistor indicator lamp**

This lamp indicates that the electrical resistor is energised.

**5. Optimiser**

This device switches the boiler on and off according to the time, operating on a 24-hour cycle. There are small white lugs around the circumference of the programmer. Each lug represents a 15 minute switching period. To set the 24-hour programmer, simply push outwards the lugs that correspond to the boiler operating period.

Reminder: Lug in inner position = BNE off  
 Lug in outer position = BNE on

**6. Hot water temperature control thermostat**

In hot water mode, the temperature of the hot water can be adjusted from 60 to 80°C.

**7. Thermostat-pressure gauge**

This dial shows the boiler temperature and the pressure in the primary circuit. The temperature should not exceed 90°C. If it is higher than this, stop the boiler and check that the thermostat is operating correctly. If the problem persists, call an engineer. The pressure should not fall below 1 bar. If it does, refer to the paragraph entitled "Gauge pressure in the heating system", later in this section.

**8. Heating temperature control thermostat**

In "Winter" position the boiler temperature can be set to between 60 and 90°C.

It is advisable to set this thermostat 10°C above the hot water thermostat setting.

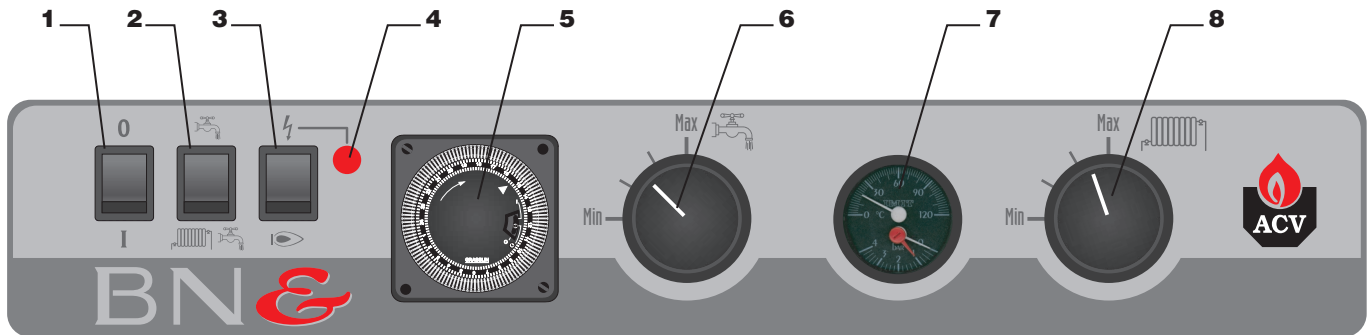


Fig. 1: Control panel

**Operation of the pump:**

The pump is controlled by the minimum thermostat, at the rear of the boiler. This is pre-set to 45°C, delaying the activation of the boiler pump when the burner starts, thus avoiding any risk of corrosion in the combustion chamber.

**Gauge pressure in the heating system**

Your system must be equipped with a heating safety valve calibrated to 3 bar.

Ensure that the system is always under water pressure. When the system is cold and the air inside it has been vented, the gauge must indicate a pressure of between 1 and 1.5 bar, depending on the height of the building.

**To add water:** (Fig. 9, page 7)

- Open the filling valve (5).
- Close the valve properly after filling.
- Vent the system and the boiler in order to obtain an accurate reading of the pressure inside the heating circuit.

**Safety valves (heating circuit)** (Fig. 9, page 7 - item 2)

If water is found to be escaping from the safety valve, stop the boiler and contact your installer for advice.

A monthly test is recommended:

Lift the lever on the drain cock for a few seconds to ensure that the safety valve is working correctly.



If there is a problem after this short test, please contact your installer for advice.



The water escaping from the safety valve may be extremely hot and can cause severe burns.

**Safety group (hot water circuit)**

It is normal for water to escape from the safety group each time the hot water tank is heated. A hot water expansion vessel may reduce or even prevent this escape. (Fig. 10, page 7 - item 6)

A monthly test is recommended:

Lift the lever on the drain cock for a few seconds to ensure that the safety valve is working correctly.



If there is a problem after this short test, please contact your installer for advice.



The water escaping from the safety group may be extremely hot and can cause severe burns.

SETTING THE ACV BURNER TO SAFETY MODE

If the burner is not working:

1. The burner indicator lamp lights.
2. Press the burner reset button (Fig. 2) on the burner.



Fig. 2

3. If the burner still does not work, remove the boiler front panel and reset the high limit thermostat on the top of the boiler body (Fig. 3).

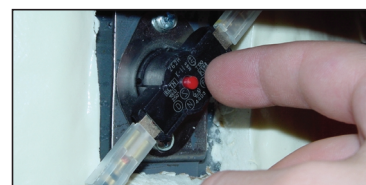


Fig. 3

4. If the problem persists, check your fuel oil level before contacting your installer for advice.

## DESCRIPTION

### GENERAL DESCRIPTION

- Combined boiler and water heater (*heating and domestic hot water*).
- Hot water generated by an indirect storage system.
- Equipment required: a water connection kit for the heating circuit supply (*optional*).
- The control panel contains a main switch, a Summer/Winter switch, an energy selection switch, an indicator lamp, an optimiser, a hot water control thermostat, a thermostat-pressure gauge and a heating control thermostat.
- The boiler may be connected directly to the chimney using a B23 chimney connection.
- Model **BNE 1**: output between 20 and 25 kW.
- Model **BNE 2**: output between 28 and 36 kW.
- Model **BNE 3**: output between 36.5 and 51 kW.

### OPERATING PRINCIPLE

Two thermostats are used to adjust the temperature settings for the heating and hot water. The addition of the hot water priority device incorporated in the wiring ensures an ample supply of hot water.

A manual reset high limit thermostat locks the burner if the boiler temperature exceeds 103°C.

In summer, when heating is not required, the heating pump and burner can be switched off and a 2.4 kW resistor used for the hot water requirements. (**BEWARE: The water heating efficiency will be lower than that with the oil-fired burner.**)

### DESIGN CHARACTERISTICS

#### Outer body

The outer body which holds the primary water is made of STW 22 heavy gauge steel.

#### Smoke flues

The boiler smoke flues are accessed via the front and contain a set of removable stainless chromium steel turbulators, specially designed to provide optimum combustion efficiency.

#### Combustion chamber

The boiler has a large, water-cooled combustion chamber, designed to ensure good development of the burner flame.

#### Removable burner chamber plate

The burner chamber plate, mounted on a hinge (left or right) is made of STW 22 steel. It is insulated from the flame by a ceramic fibre pad and a vermiculite brick.

#### Insulation

The boiler body has full sprayed-on rigid, CFC-free polyurethane foam insulation with a high insulation coefficient.

#### Casing

The boiler is covered with a steel casing that has been stove enamelled at 220°C after scouring and phosphating.

#### Storage exchanger

The inner hot water tank with integrated heating surface is made of stainless steel that has been fully argon welded using the TIG (Tungsten Inert Gas) method.

#### Electrical resistor

The electrical resistor, made entirely of stainless steel, is mounted on a flange.

### BOILER VIEWS AND KEY TO PARTS

1. Cold water inlet
2. Hot water thermostat pocket
3. Hot water outlet
4. Steel outer tank
5. Stainless steel inner tank
6. Heating return
7. Chimney connection
8. Heating outlet
9. Heating circuit drain cock
10. Combustion chamber
11. Steel base
12. Exchanger (flues)
13. Burner
14. Flame inspection window
15. Left/right removable burner chamber plate
16. Electrical resistor
17. Polyurethane foam insulation
18. Front panel
19. Control panel
20. Heating circuit vent

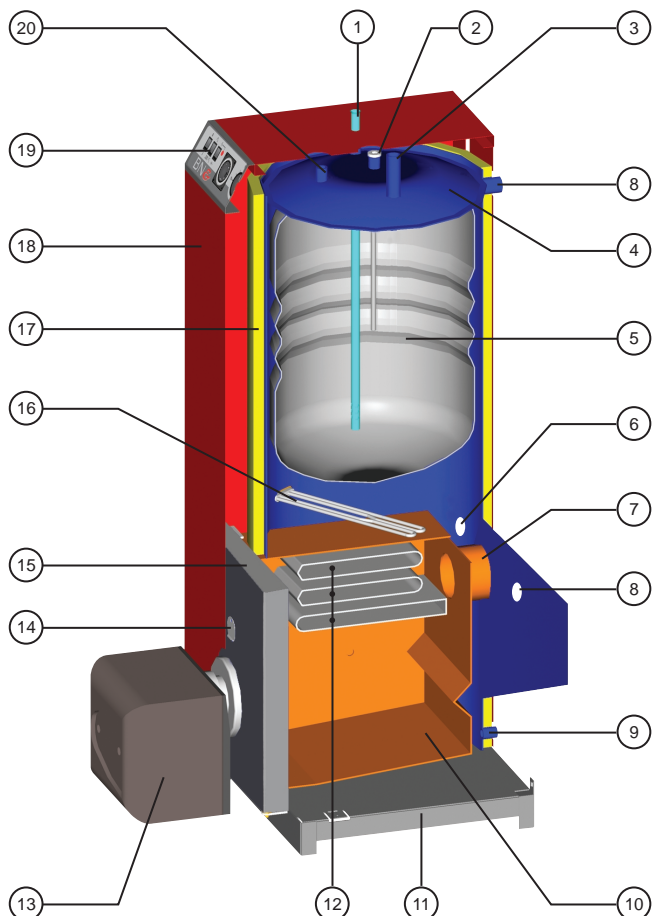


Fig. 4

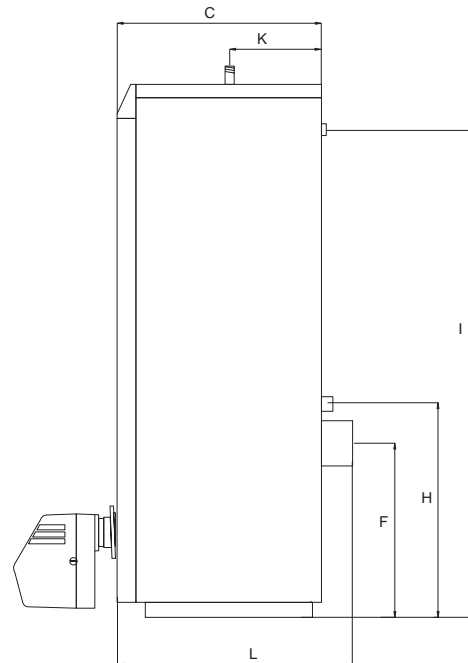
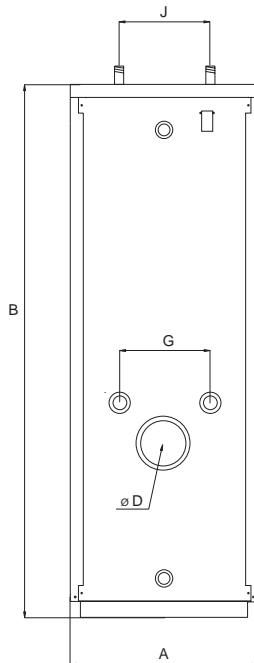
## TECHNICAL CHARACTERISTICS

### GENERAL

The appliances are supplied fully assembled, tested and packed standing on a timber transport base with impact protection strips and wrapped in heat-shrunk plastic film. When the appliance arrives, remove the packaging and check that no parts have been damaged in transit.

Refer to the dimensions and weights listed below for handling purposes:

### DIMENSIONS



### OPERATING CONDITION LIMITS

#### Maximum service pressure (tank filled with water)

- Heating circuit: 3 bar
- Hot water circuit: 10 bar

#### Test pressure (tank filled with water)

- Heating circuit: 4.5 bar
- Hot water circuit: 13 bar

#### Operating temperature

- Maximum temperature: 90°C

	A mm	B mm	C mm	D Ø mm	F mm	G mm	H mm	I mm	J mm	K mm	L mm	Kg (*)
<b>BNE 1</b>	590	1505	640	130	463	260	615	1390	270	300	700	204
<b>BNE 2</b>	590	1570	640	130	526	260	615	1450	270	300	700	222
<b>BNE 3</b>	690	1610	740	150	564	260	715	1475	270	350	800	283

(\*) The weights shown are drained weights.

### HOT WATER OUTPUT DATA

		BNE 1	BNE 2	BNE 3
• Operating conditions at 80°C				
Peak flow at 40°C (ΔT = 30°C)	<b>l/10 min.</b>	311	311	311
Constant flow at 40°C (ΔT = 30°C)	<b>l/h</b>	716.4	898.8	898.8

### GENERAL CHARACTERISTICS

		BNE 1	BNE 2	BNE 3
Input	<b>kW</b>	22/28	30/41	40/57
Output	<b>kW</b>	20/25	28/36	36.5/51
Loss of head	<b>mbar</b>	20.0	25.5	30.0
Flue gas pressure loss	<b>mbar</b>	0.15	0.17	0.15
Total capacity	<b>l</b>	184	186	248
Heating circuit capacity	<b>l</b>	64	66	128
Hot water connection (male)	<b>Ø</b>	3/4"	3/4"	3/4"
Heating connection (female)	<b>Ø</b>	1"	1"	1" 1/4
Boiler heating surface	<b>m<sup>2</sup></b>	1.1	1.1	1.1

# INSTALLATION

## BOILER ROOM

### Important

- Never obstruct the ventilation.
- Do not store inflammable products in the boiler room.
- Avoid storing corrosive products such as paint, solvents, chlorine, salt, soap or other cleaning products near the boiler.

### Accessibility

The boiler room should be big enough to allow easy access to the boiler. Minimum clearances around the boiler (mm):

- at the front 500
- at the rear 150
- at the sides 100
- above 300

### Ventilation

The boiler room must have both low and high level ventilation (see Fig. 5).

The user must ensure that the boiler room ventilation complies with current local regulations.

By way of information, the table below gives the minimum ventilation requirements according to Belgian regulations.

		BNE 1	BNE 2	BNE 3
<b>Ventilation</b>				
Min. fresh air supply	m <sup>3</sup> /h	50.0	72	102
High level ventilation (A)	dm <sup>2</sup>	150	150	150
Low level ventilation (B)	dm <sup>2</sup>	150	150	170

### Base

The base or flooring on which the boiler will be placed must be made from non-combustible materials.

## CHIMNEY CONNECTIONS



### IMPORTANT

The boiler must be installed by a qualified engineer in accordance with local standards and codes of practice.



The diameter of the chimney must not be less than the diameter of the boiler's chimney reducer.

### Chimney connection type: B23 (Fig. 5)

The chimney must be connected to the boiler by means of a metal pipe rising at an angle from the boiler to the chimney. A chimney connection is required.

		BNE 1	BNE 2	BNE 3	
<b>Chimney</b>					
E = 5	m Ø min. F	mm	130	143	170
E = 10	m Ø min. F	mm	130	130	143
E = 15	m Ø min. F	mm	130	130	130

- A. High level ventilation
- B. Low level ventilation
- C. Draught stabiliser
- D. Flame inspection window
- E. Height of lined chimney
- F. Chimney diameter

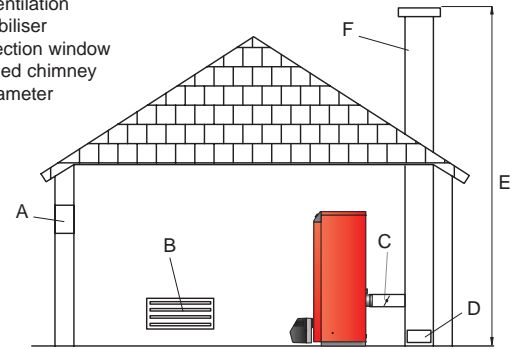


Fig. 5: Boiler ventilation and B23 chimney connection



### Note:

The above table is shown by way of information only, as regulations vary from country to country.



The high efficiency of our boilers means that the flue gases exit at low temperature.

The attendant risk of condensation may cause damage to some chimneys. To avoid this risk we strongly advise that you line the chimney.

Please contact your installer for further details about this.

## FUEL OIL SUPPLY

### Installation with one pipe (Fig. 6)

Height H	Ø 8 mm	Ø 10 mm
0.5 m	L = 10 m	L = 20 m
1.0 m	L = 20 m	L = 40 m
1.5 m	L = 40 m	L = 80 m
2.0 m	L = 60 m	L = 100 m

### Installation with two pipes (Fig. 7)

Height H	Ø 8 mm	Ø 10 mm
0 m	L = 35 m	L = 100 m
0.5 m	L = 30 m	L = 100 m
1.0 m	L = 25 m	L = 100 m
1.5 m	L = 20 m	L = 90 m
2.0 m	L = 15 m	L = 70 m
3.0 m	L = 8 m	L = 30 m
3.5 m	L = 6 m	L = 20 m

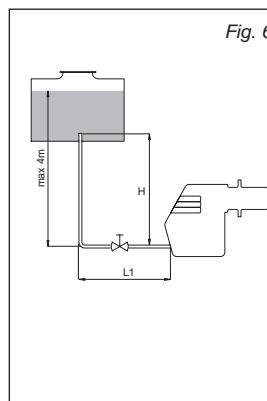


Fig. 6

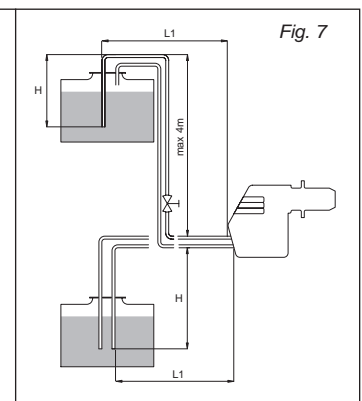


Fig. 7



**HEATING CONNECTION**

**ACV water kit**

ACV can supply an optional pre-assembled water kit.

This kit comprises:

- A pump;
- A 3-way manual valve.  
This valve can be motorised if required;
- Connection pipes that can be used to connect a second heating circuit;
- Two isolating valves;
- Connectors for the right or left hand mounting of the expansion vessel, the safety valve with pressure gauge and the filling valve.  
The expansion vessel is not included.



Fig. 8: ACV water kit

**Typical single circuit configuration**

1. Motorised 3-way mixer valve
2. Safety valve calibrated to 3 bar, with pressure gauge
3. Pump
4. Isolating valve with non-return valve
5. System filling valve
6. Expansion vessel
7. Room thermostat
8. Isolating valve, heating system
9. Drain cock

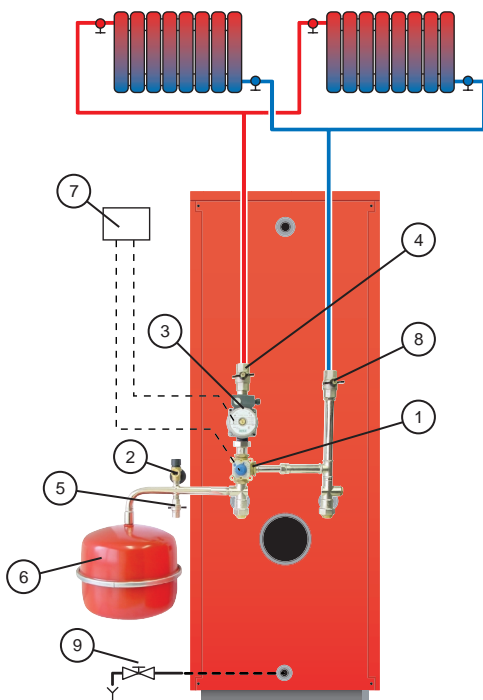


Fig. 9: Heating system layout

**Drain**

The drain cock and safety valve must be connected to the building drain.

**HOT WATER CONNECTION**

**Pressure reducing valve**

If the mains water pressure exceeds 6 bar, a pressure reducing valve calibrated to 4.5 bar must be installed.

**Safety group**

The safety group of the water tank must be approved by ACV and calibrated to 7 bar; the discharge from the group's valve must be connected to the drain.

**Hot water expansion vessel**

Installing a hot water expansion vessel will prevent any risk of excess pressure due to water hammer or pressure fluctuations.

**Hot water circulation**

If the water tank is a long way from the point of use, installing a closed recirculation circuit can ensure a faster hot water drawoff at any time.

**Typical hot water configuration**

1. Safety group
2. Pressure reducing valve
3. Thermostatic mixer
4. Hot water pump
5. Non-return valve
6. Hot water expansion vessel
7. Cold water supply tap
8. Drawoff tap
9. Drain cock
10. Air vent
11. Isolating valve

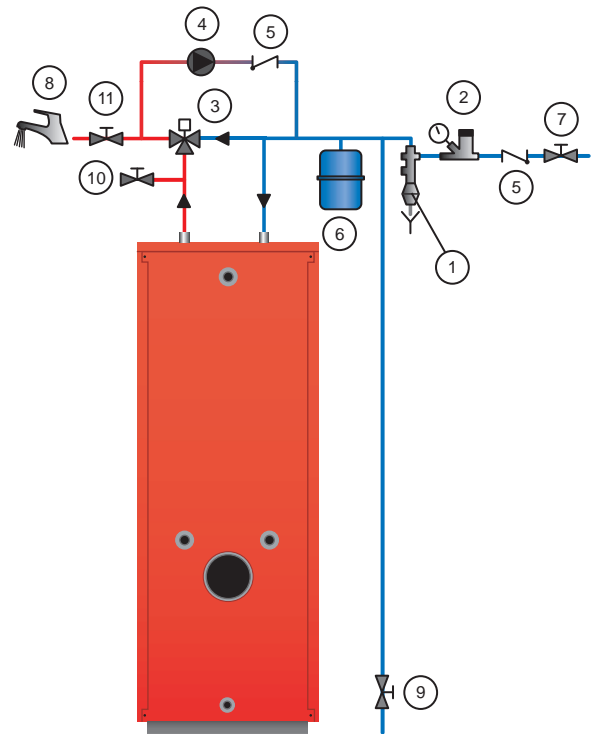


Fig. 10: Hot water system layout

**Optional accessories**

Safety group	Ø 3/4"
Pressure reducing valve	Ø 3/4"
Thermostatic mixer	Ø 3/4"
Expansion vessel	5 litres



**IMPORTANT**

As a safety measure, we strongly advise the installation of a thermostatic mixer to prevent any risk of burning to persons.

# INSTALLATION

## ELECTRICAL CONNECTIONS

### Principle of supply

The boiler operates on a 230 V/50 Hz single-phase supply. You should install a control box with main switch and fuses externally to the boiler to allow the boiler to be isolated from the supply for servicing and repairs.

### Statutory compliance

The installation must comply with your local standards and codes of practice.

### Safety

The stainless steel water tank must be provided with a separate earth.



**The boiler must be isolated from the electrical supply before any work is carried out on it.**

**The heater consists of two 2.4 kW electrical resistors. One of these two resistors is wired and used as the main resistor. The other resistor is not used, and serves only as a back-up if the first resistor becomes faulty.**

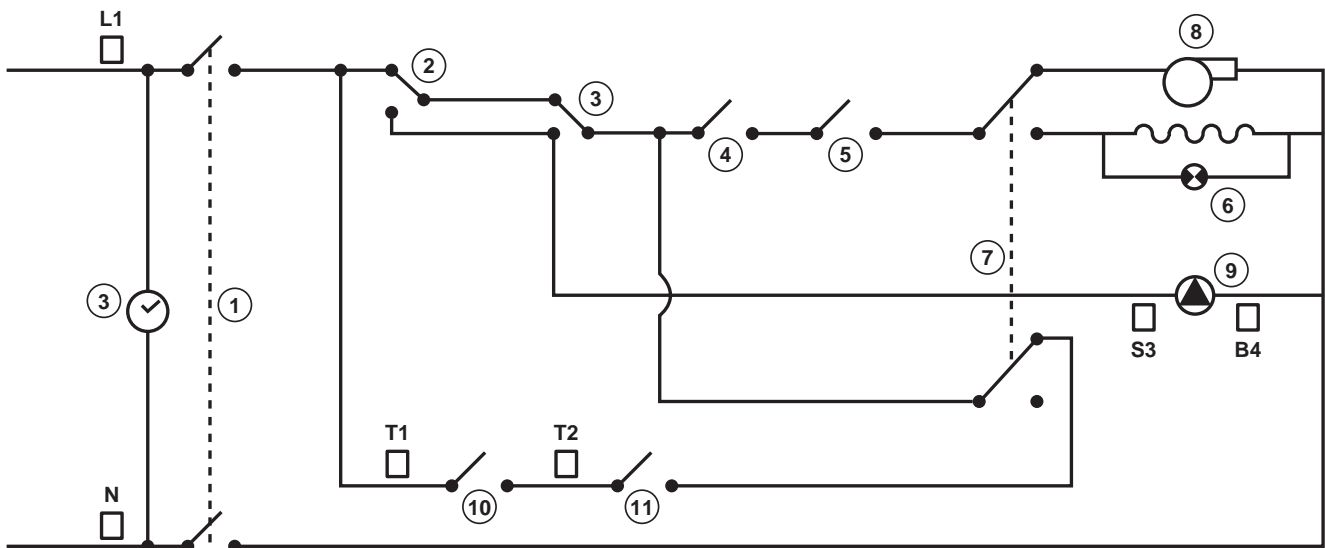
**The two resistors must never be connected to operate together, as this will damage the internal wiring of the boiler.**

### Wiring diagram key

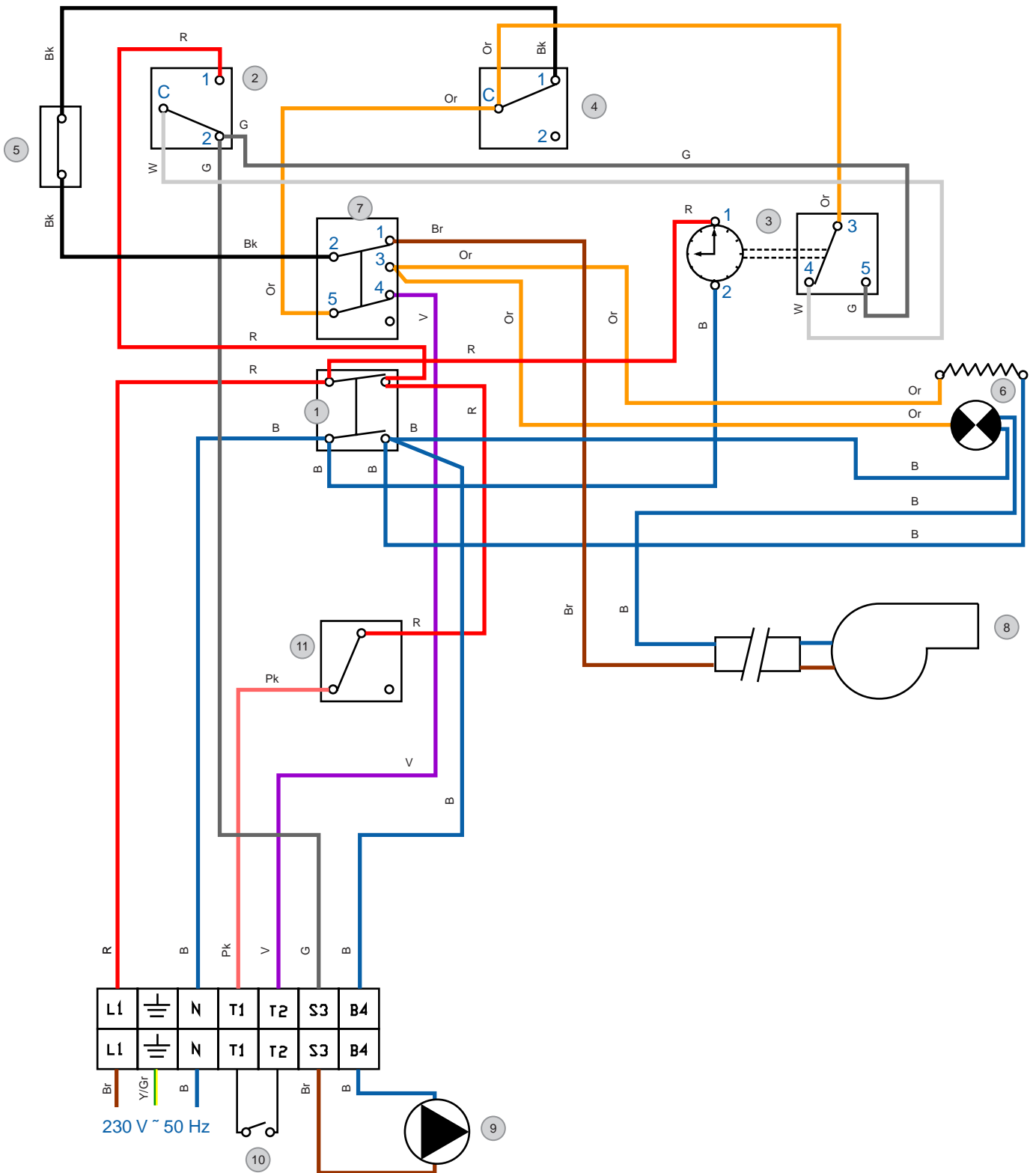
1. Main switch
2. Hot water control thermostat
3. 24-hour programmer
4. Heating control thermostat (60/90°C)
5. Manual reset high limit thermostat (103°C max.)
6. Electrical resistor indicator lamp
7. Energy selection switch
8. Burner
9. Pump
10. Room thermostat (*optional*)
11. Summer/Winter switch

- B. Blue
- Bk. Black
- Br. Brown
- G. Grey
- Or. Orange
- Pk. Pink
- R. Red
- V. Violet
- W. White
- Y/Gr. Yellow/Green

## Schematic diagram of the boiler electrical circuit



Wiring diagram of the boiler electrical circuit



# BURNER CHARACTERISTICS

## DESCRIPTION OF THE BURNER

This new generation of oil-fired burners meets current requirements for the performance and cleanliness of combustion gases. The burner is made from top quality components using the latest technologies, and includes a fuel oil preheating device.

### Components:

- "Landis & Gyr" relay
- "A.E.G." motor
- "Suntec" pump
- "May & Christe" transformer
- "Danfoss" oil preheating device

### Advantages

- Easy to install, fitted with a safety shut-off and a new burner suspension system.
- A special tool supplied with the burner is used for all maintenance work.
- The burner air pressure adapts to the combustion chamber pressure.
- An automatic check valve stops the air flow when the burner stops, and thus prevents the boiler cooling down.
- Quiet and very reliable.
- Adapts to the depth of the boiler via the adjustable flange on the throat.
- Three air adjustment points to ensure optimum air/oil mixture.
  - Presetting of the upstream air;
  - Primary adjustment;
  - Combustion head adjustment.

Throat

Burner inlet

Nozzle line adjustment screw

Air damper

Pump/nozzle connection pipe

Control relay

Burner reset

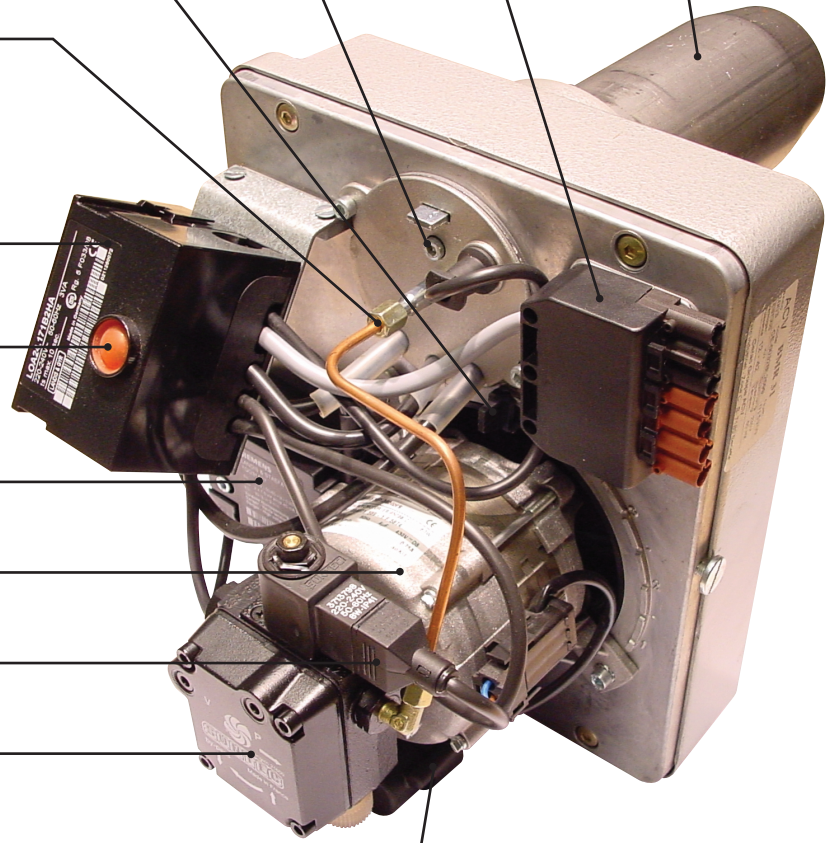
High voltage transformer

Motor

Solenoid valve

Fuel oil pump

Motor capacitor



# BURNER CHARACTERISTICS

## SETTING PARAMETERS

		BM R 31		BM R 51
		BNE 1	BNE 2	BNE 3
Input	<b>kW</b>	23.0	30.0	49.0
Electrical output	<b>W</b>	150	150	150
Nozzle	<b>gal/h</b>	0.50	0.75	1.25
Nozzle angle		60°	60°	60°
Fuel oil flow rate	<b>Kg/h</b>	1.94	2.53	4.13
Pump pressure	<b>bar</b>	13.5	10.5	10
Flue gas index		0.6	0.6	0.6
Air damper setting		3	4.5	4
Combustion head setting		2	1	2
Weight	<b>Kg</b>	12	12	12

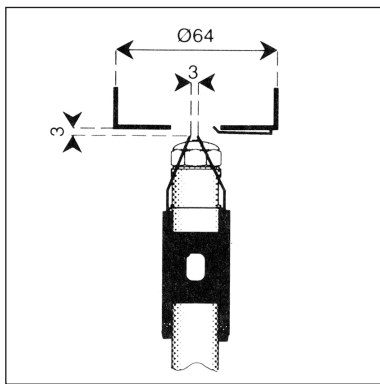


Fig. 11:  
Electrode distance



Fig. 12:  
Combustion head  
adjustment screw

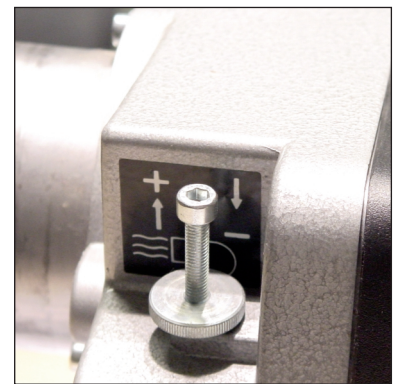


Fig. 13:  
Air flow adjustment screw  
(precision adjustment)

## BURNER DIMENSIONS

	A mm	B mm	C mm	D mm	E mm	F mm	G Ø mm	L Ø mm	LK Ø mm
<b>BM R 31</b>	240	270	215	280	60-130	M 8	80	85	140-165
<b>BM R 51</b>	240	270	215	280	60-130	M 8	80	85	140-165

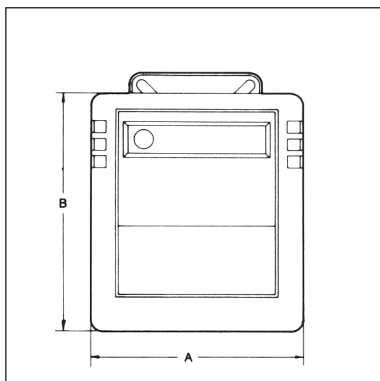


Fig. 14

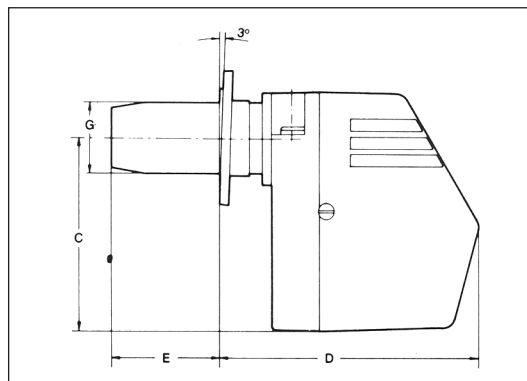


Fig. 15

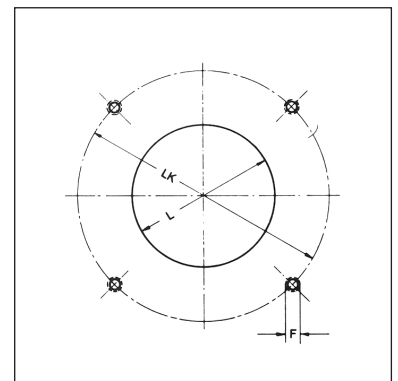


Fig. 16

# COMMISSIONING AND MAINTENANCE

## FILLING THE HOT WATER AND HEATING CIRCUITS



### IMPORTANT

It is essential that the hot water circuit is filled before the heating circuit.

1. Fill the hot water circuit opening valves 7 and 8 and pressurise it. (Fig. 19, page 13)
2. Fill the heating circuit opening valves 4, 5 and 8 - do not exceed a pressure of 2 bar. (Fig. 18, page 13)
3. Vent the air in the system and the boiler.
4. Once you have vented the system, return the pressure to static pressure plus 0.5 bar.

### Height of the heating system:

- 10 m ⇒ heating circuit pressure = 1.5 bar
- 15 m ⇒ heating circuit pressure = 2 bar

## USING THE BOILER FOR THE FIRST TIME

1. Check the fuel oil supply connection and ensure that it is free from leaks.
2. Check the electrical connection of the boiler and the boiler room ventilation, and ensure that the flue gas discharge pipes and the burner chamber plate are properly gas tight.
3. Set the boiler thermostat to between 60 and 90°C.
4. Move the Summer/Winter switch to the "Winter" position.
5. Move the main switch to "ON".
6. Carry out the necessary venting operations, measurements and settings.

## SERVICING RECOMMENDATION

It is essential that you have the boiler serviced once a year. Boiler servicing and checking the burner must be carried out by a qualified engineer.

## BOILER MAINTENANCE (Fig. 17)

1. Isolate the boiler from the electrical supply at the switch on the external control box, and close the fuel oil supply valve.
2. Move the main switch on the control panel to "OFF".
3. Remove the front panel from the boiler (1).
4. Open the burner chamber plate (2) by undoing the two nuts.
5. Take out the stainless steel turbulators (3).
6. Brush the flue ways, clean the combustion chamber and vacuum up the soot deposits.
7. Check the condition of the insulation on the burner chamber plate (4).
8. Before re-assembly, clean the burner combustion head (5).
9. Check that the thermostats and safety valves are in good working order.

## SAFETY EQUIPMENT MAINTENANCE

- Check that all thermostats and safety devices are in good working order: boiler thermostat and 103°C manual reset high limit thermostat.
- Check the safety valves in both the heating circuit and hot water circuit.

## DRAINING THE BOILER



The water draining from the drain cock is very hot and can cause severe burns. Keep all persons away from running hot water.

### Draining the heating circuit (Fig. 18)

1. Move the main switch on the control panel to "OFF" and isolate the boiler from the electrical supply at the switch on the external control box.
2. Close the isolating valves (8) in the heating circuit.
3. Connect a flexible tube to the drain cock (9).
4. Open the drain cock (9) to drain the heating circuit.

### Draining the hot water circuit (Fig. 19)

1. Move the main switch on the control panel to "OFF" and isolate the boiler from the electrical supply at the switch on the external control box.
2. Reduce the pressure in the heating circuit until the pressure gauge reads zero.
3. Close the tap (7) and isolating valve (11).
4. Open the drain cock 9 first, then 10.
5. Allow the hot water circuit to discharge to the drain.



The drain cock (9) must be at ground level for the circuit to drain fully.

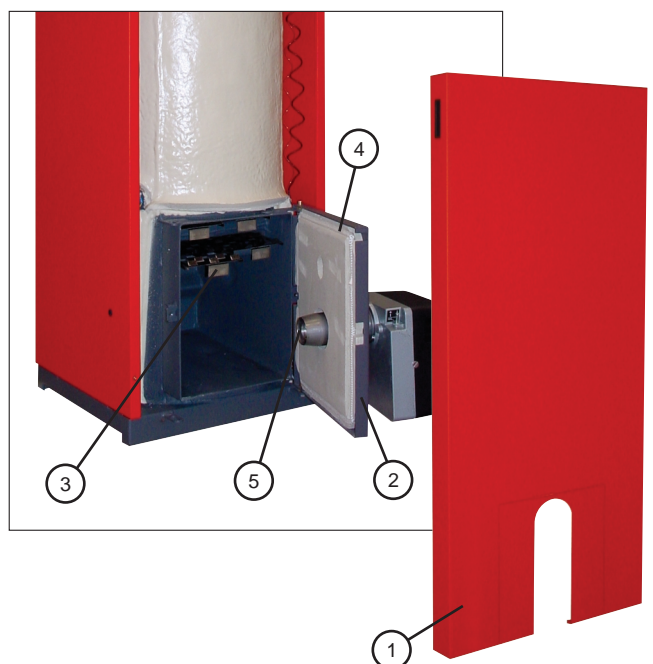


Fig. 17

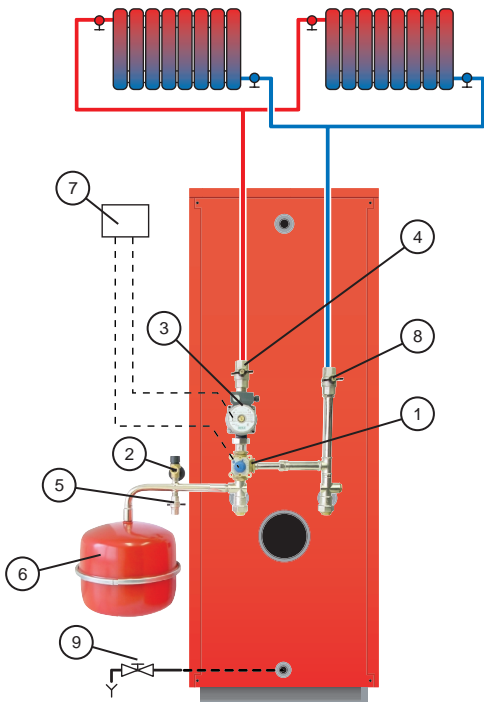


Fig. 18: Heating connection

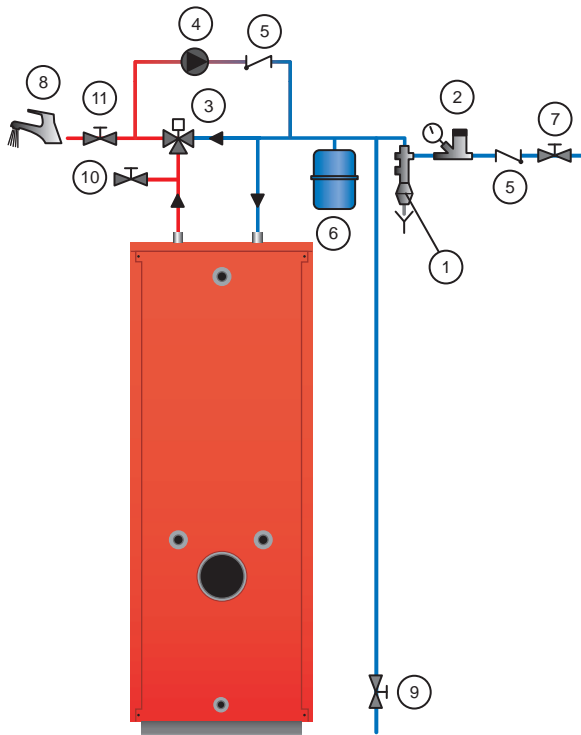


Fig. 19: Hot water connection



## SPARE PARTS

No.	Casings	BNE 1	BNE 2	BNE 3
A01	Right side	21471384	21471385	21471386
A02	Left side	21472384	21472385	21472386
A03	Front panel	21473384	21573385	21473386
A04	Rear panel	21474384	21474385	21474386
A05	Top cover	21475384	21475384	21475386
A06	Unequipped control panel	21477384	21477384	21477376
<b>No. Accessories</b>				
B01	Body shell	30465156	30465157	30465158
B02	Burner chamber plate	2147P380	2147P381	2147P382
B03	Brick backplate	-	2147E381	2147E382
B04	Insulating cover	-	51401128	51401129
B05	Burner chamber plate insulating brick	51701001	51404029	51404030
B06	Ceramic fibre door insulating cord	51401113	51401113	51401113
B07	PVCC plunger, Ø 19.5 mm / L 800 mm	49410045	49410045	49410045
B08	Aerator	50423066	50423066	50423066
B09	Thermometer-pressure gauge	54441008	54441008	54441008
B10	Drain cock, Ø 1/2"	55426001	55426001	55426001
B11	Hinge pin M 10 19x33 mm	47405252	47405252	47405252
B12	Sensor retainer spring	47438008	47438008	47438008
B13	Turbulators	50423097	50423097	50423098
B14	H.D.P.E. handle	49410280	49410280	49410280
B15	Flame inspection window	50423008	50423008	50423008
B16	Grommet	54428001	54428001	54428001
B17	Brass pocket, Ø 1/2" / L. 100 mm	63438001	63438001	63438001
B18	Stainless steel pocket 12/10 - Ø 1/2" / L. 350 mm	39438023	39438023	39438023
B19	Control panel self-adhesive label	617G0054	617G0054	617G0054
B20	Clip retainer	47405004	47405004	47405004
B21	Stud	47405005	47405005	47405005
<b>No. Electrical accessories</b>				
C01	Full control panel	24614110	24614110	24614111
C02	ON/OFF switch	54766014	54766014	54766014
C03	Summer/Winter switch or energy selection switch	54766013	54766013	54766013
C04	90°C control thermostat	54442045	54442045	54442045
C05	Manual reset high limit thermostat (103°C)	54764010	54764010	54764010
C06	Indicator light	54766001	54766001	54766001
C07	Electrical resistor 2 x 2.4 kW	54428182	54428182	54428182



**DETAILS OF THE INSTALLATION**

---

<b>Installation date:</b>	<b>Model:</b>
<b>% CO<sub>2</sub> (max. load):</b>	<b>Serial number:</b>
<b>Flue gas T°:</b>	<b>Heating system pressure setting:</b>
<b>Efficiency:</b>	<b>Name and signature:</b>
<b>Fuel oil pressure:</b>	

**SERVICE NOTES**

---

<b>Installation date:</b>	<b>Comments:</b>
<b>% CO<sub>2</sub> (max. load):</b>	
<b>Flue gas T°:</b>	
<b>Efficiency:</b>	<b>Name and signature:</b>
<b>Fuel oil pressure:</b>	

---

<b>Installation date:</b>	<b>Comments:</b>
<b>% CO<sub>2</sub> (max. load):</b>	
<b>Flue gas T°:</b>	
<b>Efficiency:</b>	<b>Name and signature:</b>
<b>Fuel oil pressure:</b>	

---

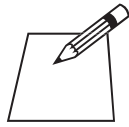
<b>Installation date:</b>	<b>Comments:</b>
<b>% CO<sub>2</sub> (max. load):</b>	
<b>Flue gas T°:</b>	
<b>Efficiency:</b>	<b>Name and signature:</b>
<b>Fuel oil pressure:</b>	

---

<b>Installation date:</b>	<b>Comments:</b>
<b>% CO<sub>2</sub> (max. load):</b>	
<b>Flue gas T°:</b>	
<b>Efficiency:</b>	<b>Name and signature:</b>
<b>Fuel oil pressure:</b>	

---

<b>Installation date:</b>	<b>Comments:</b>
<b>% CO<sub>2</sub> (max. load):</b>	
<b>Flue gas T°:</b>	
<b>Efficiency:</b>	<b>Name and signature:</b>
<b>Fuel oil pressure:</b>	



A series of horizontal dotted lines spanning the width of the page, intended for writing.





excellence in hot water

www.acv-world.com

#### INTERNATIONAL

**ACV international n.v**  
KERKPLEIN, 39  
B-1601 RUISBROEK - BELGIUM  
TEL.: +32 2 334 82 20  
FAX: +32 2 378 16 49  
E-MAIL: international.info@acv-world.com

#### BELGIUM

**ACV BELGIUM nv/sa**  
KERKPLEIN, 39  
B-1601 RUISBROEK-BELGIUM  
TEL.: +32 2 334 82 40  
FAX: +32 2 334 82 59  
E-MAIL: belgium.info@acv-world.com

#### CHILE

**ALBIN TROTTER Y ACV LTDA**  
SAN PABLO 3800  
QUINTA NORMAL - SANTIAGO - CHILE  
TEL.: +56 2 772 01 69  
FAX: +56 2 772 92 62/63  
E-MAIL: chile.info@acv-world.com

#### CZECH REPUBLIC

**ACV CR SPOL. s.r.o**  
NA KRECKU 365  
CR-109 04 PRAHA 10 - CZECH REPUBLIC  
TEL.: +420 2 720 83 341  
FAX: +420 2 720 83 343  
E-MAIL: ceskarepublika.info@acv-world.com

#### DEUTSCHLAND

**ACV WÄRMETECHNIK GMBH & CO KG**  
GEWERBEGBIET GARTENSTRASSE  
D-08132 MÜLSEN OT ST. JACOB - DEUTSCHLAND  
TEL.: +49 37601 311 30  
FAX: +49 37601 311 31  
E-MAIL: deutschland.info@acv-world.com

#### ESPAÑA

**ACV ESPAÑA**  
C/DE LA TEIXIDORA, 76  
POL. IND. LES HORTES  
E-08302 MATARÓ - ESPAÑA  
TEL.: +34 93 759 54 51  
FAX: +34 93 759 34 98  
E-MAIL: spain.info@acv-world.com

#### ARGENTINA

**TECNO PRACTICA**  
ALFEREZ BOUCHARD 4857  
1605 CARAPACHAY - BUENOS AIRES  
TEL.: +54 11 47 65 33 35  
FAX: +54 11 47 65 43 07  
E-MAIL: jchas@tecnopractica.com

#### AUSTRALIA

**HUNT HEATING PTY LTD**  
10 GARDEN BOULEVARD  
3172 VICTORIA - AUSTRALIA  
TEL.: +61 3 9558 7077  
FAX: +61 3 9558 7027  
E-MAIL: enquiries@huntheat.com.au

#### BRAZIL

**SIMETAL INDUSTRIA E COMERCIO DE FERRAMENTAS LTDA**  
RUA GERSON ANDREIS 535  
95112 - 130 CAXIAS DO SUL - BRAZIL  
TEL.: +55 54 227 12 44  
FAX: +55 54 227 12 26  
E-MAIL: export@simetall.com.br

#### BULGARIA

**PROXIMUS ENGINEERING LTD**  
7 BIAL KREM STR.  
9010 VARNIA - BULGARIA  
TEL.: +359 52 500 070  
FAX: +359 52 301 131  
E-MAIL: info@proximus-bg.com

#### CHINA

**BEIJING HUADIAN HT POWER TECHNOLOGY DEVELOPMENT CO. LTD**  
ROOM B-912, TOWER B, COFCO PLAZA  
N°. 8, JIANGUOMENNEI AVENUE  
BEIJING 100005 - PEOPLE'S REPUBLIC OF CHINA  
TEL.: +86 10 652 30 363/393 EXT 101  
FAX: +86 10 652 27 071  
E-MAIL: li.zheng@acv-world.com

**SHANGHAI COOLTECH LTD**  
14/F E. CHINA MERCHANTS PLAZA  
N°. 333 CHENGDU ROAD (N)  
200041 SHANGHAI - CHINA  
TEL.: +86 21 52 98 11 22 - 820  
FAX: +86 21 52 98 13 58  
E-MAIL: cooltech@cooltech.sh.cn

#### FRANCE

**ACV FRANCE sa**  
31, RUE AMPERE - Z.I MI - PLAINE  
F-69680 CHASSIEU - FRANCE  
TEL.: +33 4 72 47 07 76  
FAX: +33 4 72 47 08 72  
E-MAIL: france.info@acv-world.com

#### ITALIA

**ACV ITALIA**  
VIA PANÀ 92  
I-48018 FAENZA (RA) - ITALIA  
TEL.: +39 0546 64 61 44  
FAX: +39 0546 64 61 50  
E-MAIL: italia.info@acv-world.com

#### NEDERLAND

**ACV NEDERLAND bv**  
POSTBUS 350  
NL-2980 AJ RIDDERKERK - NEDERLAND  
TEL.: +31 180 42 10 55  
FAX: +31 180 41 58 02  
E-MAIL: nederland.info@acv-world.com

#### POLAND

**ACV POLSKA sp. z o.o.**  
UL. WITOSA 3  
87 - 800 WŁOCŁAWEK - POLAND  
TEL.: +48 54 412 56 00  
FAX: +48 54 412 56 01  
E-MAIL: polska.info@acv-world.com

#### PORTUGAL

**BOILERNOX LDA**  
RUA OUTEIRO DO POMAR  
CASAL DO CEGO, FRACÇÃO C,  
PAVILHÃO 3 - MARRAZES  
2400-402 LEIRIA - PORTUGAL  
TEL.: +351 244 837 239/40  
FAX: +351 244 823 758  
E-MAIL: boilernox@mail.telepac.pt

#### RUSSIA

**ACV RUSSIA**  
1/9, MAL'YI KISEL'NYI  
103031 MOSCOW - RUSSIA  
TEL.: +7 095 928 48 02 / +7 095 921 89 79  
FAX: +7 095 928 08 77  
E-MAIL: russia.info@acv-world.com

#### DENMARK

**VARMEHUSET**  
FRICHSVEJ 40 A  
8600 SILKEBORG - DENMARK  
TEL.: +45 86 82 63 55  
FAX: +45 86 82 65 03  
E-MAIL: vh@varmehuset.dk

#### ESTONIA

**TERMOMAX AS**  
TAHE 112A  
51013 TARTU - ESTONIA  
TEL.: +372 736 73 39  
FAX: +372 736 73 44  
E-MAIL: termomax@termomax.ee

#### GREECE

**ESTIAS**  
MARASLI STREET 7  
54248 THESSALONIKI - GREECE  
TEL.: +30 23 10 31 98 77 / +30 23 10 32 03 58  
FAX: +30 23 10 31 97 22  
E-MAIL: info@genikithermanseon.gr

#### ÎLE MAURICE

**SOTRATECH**  
29, RUE MELDRUM  
BEAU BASSIN - ÎLE MAURICE  
TEL.: +230 46 76 970  
FAX: +230 46 76 971  
E-MAIL:stech@intnet.mu

#### LITHUANIA

**UAB "GILIUS IR KO"**  
SAVARNORIŲ PR. 192  
3000 KAUNAS - LITHUANIA  
TEL.: +370 37 308 930  
FAX: +370 37 308 932

#### MAROC

**CASATHERM**  
PLACE EL YASSIR  
20300 CASABLANCA - MAROC  
TEL.: +212 22 40 15 23  
FAX: +212 22 24 04 86

#### SLOVAK REPUBLIC

**ACV SLOVAKIA s.r.o.**  
PLUHOVÁ 49  
831 04 BRATISLAVA - SLOVAK REPUBLIC  
TEL.: +421 2 444 62 276  
FAX: +421 2 444 62 275  
E-MAIL: slovakia.info@acv-world.com

#### SLOVENIA

**ACV D.O.O. SLOVENIA**  
OPEKARNA 22b  
1420 TRBOVLJE - SLOVENIA  
TEL.: +386 356 32 830  
FAX: +386 356 32 831  
E-MAIL: slovenia.info@acv-world.com

#### UK

**ACV UK Ltd**  
ST. DAVID'S BUSINESS PARK  
DALGETY BAY - FIFE - KY11 9PF  
TEL.: +44 1383 82 01 00  
FAX: +44 1383 82 01 80  
E-MAIL: uk.info@acv-world.com

#### USA

**TRIANGLE TUBE PHASE III**  
FREEWAY CENTER - 1 TRIANGLE LANE  
BLACKWOOD NJ 08012 - USA  
TEL.: +1 856 228 8881  
FAX: +1 856 228 3584  
E-MAIL: sales@triangletube.com

#### NEW ZEALAND

**ENERGY PRODUCTS INTERNATIONAL**  
8/10 BELFAST PLACE  
PO BOX 15058 HAMILTON - NEW ZEALAND  
TEL.: +64 7 847 27 05  
FAX: +64 7 847 42 22  
E-MAIL: pmckenzie@tycoint.com

#### ÖSTERREICH

**PROTHERM HEIZUNGSTECHNIK GmbH**  
TRAUNFURERSTRASSE 113  
4052 ANSFELDEN - ÖSTERREICH  
TEL.: +43 7229 804 82  
FAX: +43 7229 804 92  
E-MAIL: protherm@nextra.at

#### ROMANIA

**SC TRUST EURO THERM SA**  
D.N PIATRA NEAMT - ROMAN  
km 2 C.P 5 O.P 3 jud. Neamt  
5600 PIATRA NEAMT - ROMANIA  
TEL.: +40 233 20 62 06  
FAX: +40 233 20 62 00  
E-MAIL: office@eurotherm.ro

#### TUNISIE

**SO.CO.ME CHAUMAX**  
BOÎTE POSTALE N°44  
1002 TUNIS - TUNISIE  
TEL.: +216 71 78 15 91  
FAX: +216 71 78 87 31

#### UKRAINE

**UKRTEPLOSERVICE LTD**  
PR. LAGUTENKO 14  
83086 DONETSK - UKRAINE  
TEL.: +38 062 382 60 47/48  
FAX: +38 062 335 16 89